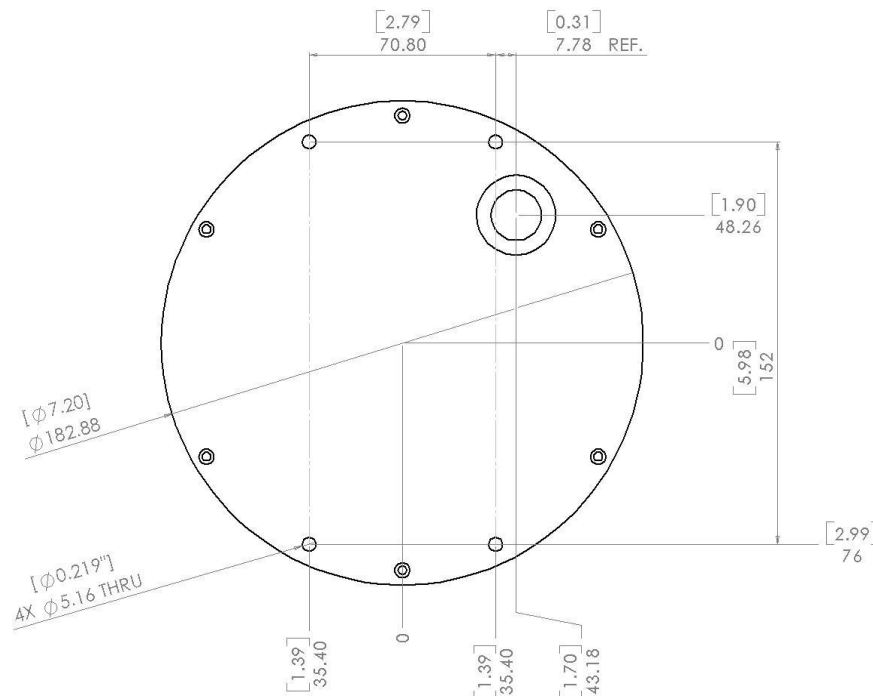


AV818X/AV836X Installation Manual

1. Prepare mounting area as shown on Pic. 1.
Note, you need either #10-32 threaded inserts or you can use thru holes in desired surface and #10 washers and #10-32 nuts (not included)
2. Remove two #4-40 screws on the top of the camera.
3. Remove retaining ring and plastic dome. There are four #10 countersunk holes in front camera base.
4. Using enclosed four #10-32 FH Phillips screws attach camera to the desired surface.
5. Place plastic dome into retaining ring so the flange of the dome rests inside of retaining ring.
6. Carefully rotate dome inside of the ring until holes in ring and dome will match
7. Place retaining ring and dome onto front camera base, matching holes in ring and dome with two #4 threaded holes in base.
8. Secure retaining ring and dome to front camera base, using screws from step 2,



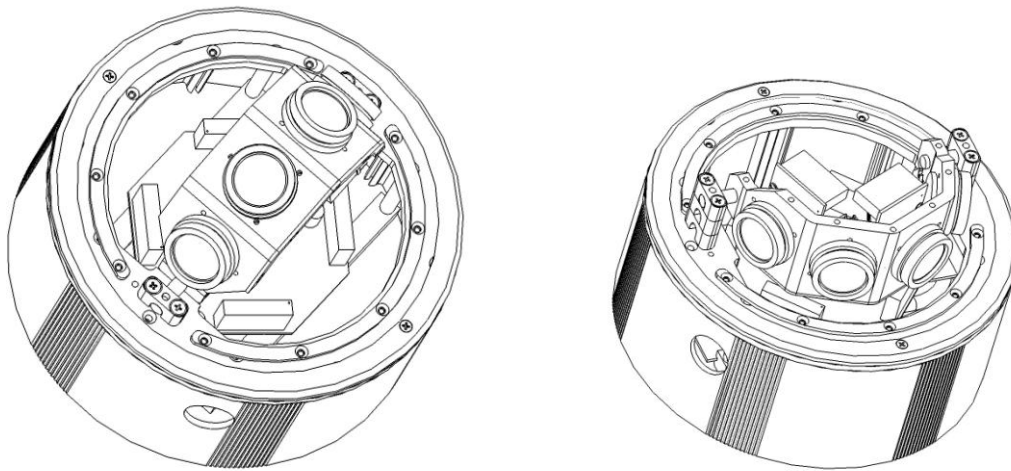
PIC.1

AV818X/AV836X Tilt Adjustment Instruction A

AV8180 is supplied with 3 shaft holders stocked up on each side (further referred to as “floors”) Camera is installed on the 2nd floor as a default.

If you use camera in installation such way so the center plane of the Main Bracket with 4 lenses is perpendicular to the mounting surface, you need to move camera to the 1st floor to fit camera in dome. (Instruction A)

If you use camera in installation such way so the center plane of the Main Bracket with 4 lenses is parallel to the mounting surface you need to move camera to the 3rd floor. (Instruction B)



PIC. 2

INSTRUCTION A:

1. Use enclosed 1/16” hex L-key to undo set screws on the top of the “second floor” shaft holders, while holding the bracket. Don’t completely remove set screws from holders. Carefully place bracket on its side.
2. Using enclosed 5/64” hex L-key remove 4 screws from shaft holders.
3. Remove “1st floor” and “3rd floor” shaft holders from both sides. Place shaft holders with set screws onto the main plate.
4. Using screws from step 2 attach both holders to main plate. (see Pic. 2 for positioning)
5. Secure bracket axis with set screws, using 1/16” hex L-key.
6. Cut the excess of fabric with the blade or scissors if necessary.
7. Do not discard holders as they may be used in future installation modifications.

AV818X/AV836X Tilt Adjustment Instruction B

INSTRUCTION B:

1. Make sure that bracket lies on the same side as an open threaded hole next to shaft holders. This is your “standard” installed position (see Pic. 3, holes circled)
2. Remove top fabric sheet.
 - A. Using 1/16” hex L-key undo 5 screws on the top of the bracket to release upper end of the fabric. Set small bracket aside
 - B. Remove 2 screws to release middle section of the fabric.
 - C. Remove 5 screws from the bottom arc, set arc aside and remove fabric sheet.
3. Note the position of shaft holders on the main plate in relationship to open threaded hole next to shaft holders.
4. Using enclosed 1/16” hex L-key undo set screws on the top of the “second floor” shaft holders, but don’t completely remove set screws from holders.
5. Using enclosed 5/64” hex L-key remove 4 screws from shaft holders.
6. Switch shaft holders so the ones with set screws will be on the top (3rd floor)
Make sure that:
 - A. Shaft holders are on the same positions as they were before modification (see Pic. 2)
 - B. Shaft holders with set screws are the “top floor”
7. Install Bracket on the “3rd floor”.
8. Using 4 #6-32 1.5” LG. screws from step 5 attach both structures to main plate.
9. Secure bracket axis with set screws, using 1/16” hex L-key.
10. Install enclosed fabric sheet. Note that fabric sheet is smooth on one side and rough on another. Rough side is conductive and should face out. Smooth (isolated) side is facing PCBs. If you have any doubts, use conventional tester: rough surface shows no electrical resistance.
 - A. Line up upper edge of the fabric with upper edge of the bracket. Place small bracket from 2A on the top of the fabric. Using 1/16” hex L-key install 5 screws from step 2A.
 - B. Line up bottom edge of the fabric with outer edge of the bottom arc from step 2C and using 1/16” hex L-key install 5 screws from step 2C.
 - C. Install 2 screws from step 2B
11. Cut the excess of fabric with the blade or scissors.
- 12.