

# D4F/D4S Series

Indoor 4" Surface / In-ceiling Mount Dome



<b>AV1115 / AV1115DN + MPL33-12</b>		<b>AV2115 / AV2115DN + MPL33-12</b>		<b>AV3115 / AV3115DN + MPL33-12</b>		<b>AV5115 / AV5115DN + MPL33-12</b>	
D4F-AV1115-3312	In-ceiling	D4F-AV2115-3312	In-ceiling	D4F-AV3115-3312	In-ceiling	D4F-AV5115-3312	In-ceiling
D4S-AV1115-3312	Surface	D4S-AV2115-3312	Surface	D4S-AV3115-3312	Surface	D4S-AV5115-3312	Surface
D4F-AV1115DN-3312	In-ceiling	D4F-AV2115DN-3312	In-ceiling	D4F-AV3115DN-3312	In-ceiling	D4F-AV5115DN-3312	In-ceiling
D4S-AV1115DN-3312	Surface	D4S-AV2115DN-3312	Surface	D4S-AV3115DN-3312	Surface	D4S-AV5115DN-L3312	Surface
<b>AV1115 / AV1115DN + MPL4.0</b>		<b>AV2115 / AV2115DN + MPL4.0</b>					
D4F-AV1115-04	In-ceiling	D4F-AV2115-04	In-ceiling				
D4S-AV1115-04	Surface	D4S-AV2115-04	Surface				
D4F-AV1115DN-04	In-ceiling	D4F-AV2115DN-04	In-ceiling				
D4S-AV1115DN-04	Surface	D4S-AV2115DN-04	Surface				



With Casino Mode in 1080p versions

The **D4F/D4S Series** is Designed to House Arecont Vision's **Compact H.264 MegaVideo** Megapixel Cameras with the **MPL33-12** Vari-Focal lens or **MPL4.0** Fixed Focal Lens (1.3MP & 1080p)

Surface Mount or Flush Mount Configurations with **1.3, 1080p, 3 & 5MP** Resolution

### Arecont Vision Advantages:

- Easy installation and superior design perfect for indoor application
- Cost Efficiency solution
- 2-axis gimbal for camera positioning
- In-ceiling mount dome and surface mount dome option
- Superior Image Quality
- Casino mode™ on D4F/D4S - AV2115xx-xxxx models (always maintains 30fps)



**Model Numbers:**

**AV1115 / AV1115DN + MPL33-12**

- D4F-AV1115-3312 In-ceiling
- D4F-AV1115DN-3312 In-ceiling
- D4S-AV1115-3312 Surface
- D4S-AV1115DN-3312 Surface

**AV1115 / AV1115DN + MPL4.0**

- D4F-AV1115-04 In-ceiling
- D4F-AV1115DN-04 In-ceiling
- D4S-AV1115-04 Surface
- D4S-AV1115DN-04 Surface

**AV2115 / AV2115DN + MPL33-12**

- D4F-AV2115-3312 In-ceiling
- D4F-AV2115DN-3312 In-ceiling
- D4S-AV2115-3312 Surface
- D4S-AV2115DN-3312 Surface

**AV2115 / AV2115DN + MPL4.0**

- D4F-AV2115-04 In-ceiling
- D4F-AV2115DN-04 In-ceiling
- D4S-AV2115-04 Surface
- D4S-AV2115DN-04 Surface

**AV3115 / AV3115DN + MPL33-12**

- D4F-AV3115-3312 In-ceiling
- D4F-AV3115DN-3312 In-ceiling
- D4S-AV3115-3312 Surface
- D4S-AV3115DN-3312 Surface

**AV5115 / AV5115DN + MPL33-12**

- D4F-AV5115-3312 In-ceiling
- D4F-AV5115DN-3312 In-ceiling
- D4S-AV5115-3312 Surface
- D4S-AV5115DN-3312 Surface

**Compatible Lens:**

- MPL3312:
  - F1.4, 3.3-12mm, 1/2.5"
  - Horizontal FOV:
- MPL4.0 (1.3MP and 1080p only)
  - F1.8, 4mm, 1/2"

	AV1115	AV2115	AV3115	AV5115
MPL33-12 @ 3.3mm	61°	92°	75°	95°
MPL33-12 @ 12mm	21°	31°	25°	32°
MPL4.0	57°	86°		

**Compatible Cameras:**

- AV1115, AV1115DN, AV2115, AV2115DN
- AV3115, AV3115DN, AV5115, AV5115DN

**Environmental:**

- Operating temperature -5°C (23°F) to +45°C (113°F)
- Storage temperature: -30°C (-22°F) to +60°C (140°F)
- Humidity 0% to 90% (non condensing)

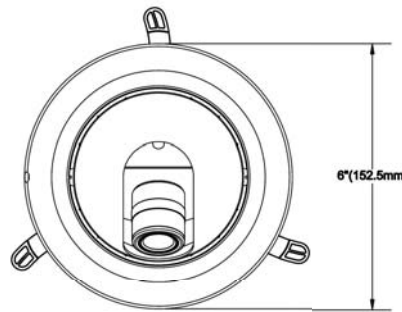
\*Please see specific camera data sheets for imaging & electrical specifications

**Mechanical:**

- Housing material: Acrylonitrile Butadiene Styrene (ABS) Plastic
- Dome Cover Protection: Acrylic (PMMA)
- Color: Beige
- Mounting Type:
  - D4F ( in-ceiling mount)
  - D4S ( Surface Mount)

**D4F Dome dimension:**

- Bubble Cover:
  - Diameter: 4 inch (101 mm)
  - Height: 2 inch (51.7mm)
- Housing:
  - Diameter: 6 inch (156 mm)
  - Height: 4.9 inch (124 mm)
- Weight w/o camera: 0.64 lbs(0.29kg)
- Weight w camera and lens 1.16 lbs(0.525kg)



**Accessories:**

- D4S-WMT : Wall Mount (Fit 3/4" NPT)
- D4S-CMT: Pendant Mount (Fit 3/4" NPT)
- SV-EBA: Electrical Box Adapter
- SV-JBA: Junction Box Adapter

**D4S Dome dimension:**

- Bubble Cover:
  - Diameter: 4 inch (101.3 mm)
  - Height: 2.9 inch (51.7mm)
- Housing:
  - Diameter: 4.7 inch (118.5 mm)
  - Height: 3.8 inch (95.4 mm)
- Weight w/o camera: 0.47 lbs(0.215kg)
- Weight w/ camera and lens 0.98 lbs(0.445kg)

