



# ConteralP<sup>®</sup> Bullet EX

## Installation Manual

5MP

AV5426PMIR-S

**Arecont Vision<sup>®</sup>**  
A COSTAR COMPANY

# Table of Contents

About Our Warranty .....	3
Global (3 Year) Limited Warranty.....	3
Camera Overview .....	4
Package Contents.....	5
Installation .....	6
SD Card.....	8
Corner Mount .....	9
Pole Mount .....	11
Electrical Box Adapter.....	12
Alarm I/O Functions .....	14
Reset to Factory Default .....	14
Camera Discovery, Setup, and Configuration.....	15
Camera Discovery.....	16
Web Interface Navigation.....	17
<i>Image</i> .....	19
<i>Video &amp; Audio</i> .....	23
<i>Focus</i> .....	26
<i>Network</i> .....	27
<i>Privacy Mask</i> .....	32
<i>Event</i> .....	33
<i>Video Analytics</i> .....	38
<i>System Options</i> .....	43
<i>Administration</i> .....	44
<i>Support</i> .....	45

# About Our Warranty

## **Global (3 Year) Limited Warranty**

*ARECONT VISION COSTAR warrants to Purchaser a "Limited Warranty" that (a) each Product shall be free from material defects in material and workmanship for a period of thirty-six (36) months from the date of shipment, the "Warranty Period"; (b) during the Warranty Period, the Product will materially conform with the specification in the applicable documentation; (c) all "Licensed Programs" accompanying the Product will materially conform with applicable specifications.*

# Camera Overview

The ConteralP® Bullet EX outdoor-ready megapixel camera features 5-megapixel (MP) resolution for optimum performance. The ConteralP® Bullet EX combines a day/night mechanical IR cut filter with an integrated motorized 2.7–12mm varifocal remote focus and zoom precision iris (P-iris) lens. The ConteralP® Bullet EX is ONVIF (Open Network Video Interface Forum) Profile S, G, Q, and T compliant, providing interoperability between network video products regardless of manufacturer. The inclusion of on camera video analytics gives the ConteralP® Bullet EX the ability to increase situational awareness and gather data for business intelligence. Alarm conditions can be setup to alert security for observed behaviors. Several of the analytic behaviors can also be used for business intelligence data gathering, such as the loitering behavior for tracking dwell time in retail environments. Regardless of the time of day, the ConteralP® Bullet EX is prepared for any lighting condition. Enhanced WDR™ (wide dynamic range) at 120dB provides the best visual balance to shaded and bright light conditions, NightView™ offers strong low-light sensitivity for capturing details in extremely poor-lit scenes, and built-in Smart IR LED illumination automatically adjusts output in response to the distance of an object in view to prevent over-exposure when the object is very close to the camera. Arecont Vision® was the first to bring H.264 to the mainstream market and recently developed SNAPstream™ (Smart Noise Adaptation and Processing) technology for reducing bandwidth without impacting image quality. Today we are proud to offer our next generation H.265 with SNAPstream+™ smart codec capable of delivering high quality video while saving over 50% of the data rate to reduce or prevent strain on the network. The microSD card slot supports up to 256GB of storage capacity for convenient onboard storage. The camera's power can be supplied via a Power-over Ethernet (PoE - IEEE 802.3af) compliant network cable connection. The ConteralP® Bullet EX is IP66 rated for both indoor and outdoor applications. All models feature an impact resistant cast-aluminum housing capable of withstanding the equivalent of 55 kg (120 lbs) of force.

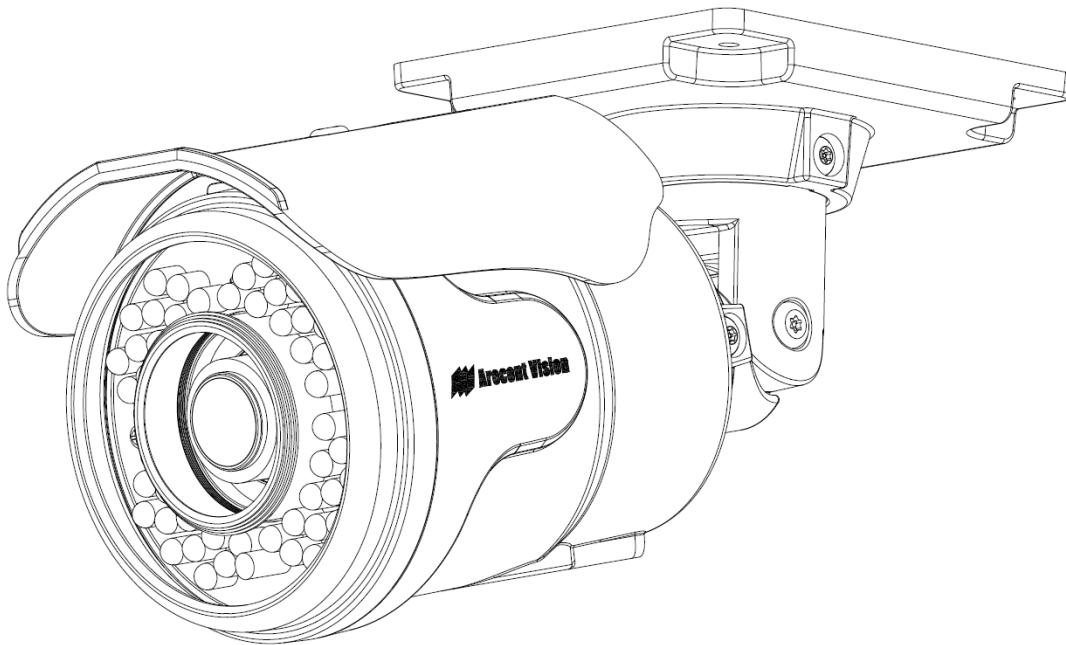
## **ⓘ CAUTION!**

1. Do not attempt to service a damaged unit yourself. Refer all servicing to qualified service personnel.
2. Wiring methods shall be in accordance with the National Electrical Code/NFPA 70/ANSI, and with all local codes and authorities having jurisdiction. Wiring should be UL Listed and/or Recognized wire suitable for the application.
3. Always use hardware e.g. screws, anchors, bolts, locking nuts etc. which are compatible with mounting surface and of sufficient length and construction to insure a secure mount.

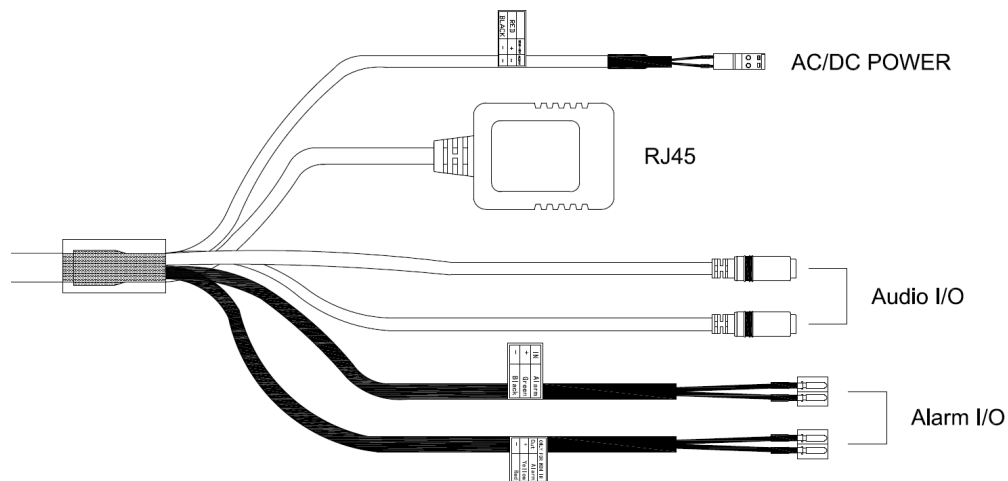
# Package Contents

- AV5426PMIR-S

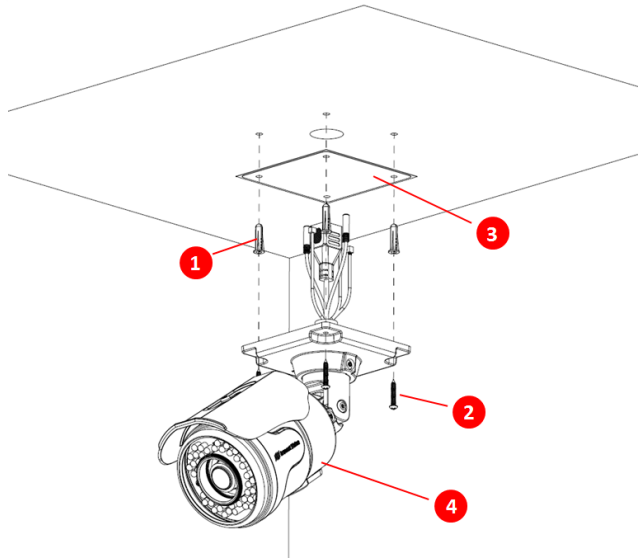
Description	QTY
AV5426PMIR-S	1
Mounting Template	1
Accessory Pack	1



- Cables



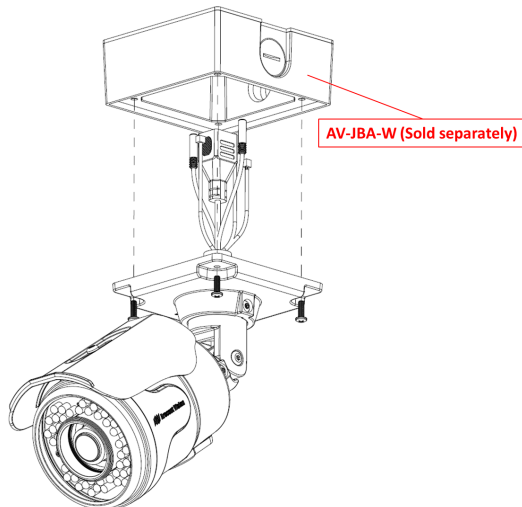
# Installation



No.	Description
1	Supplied Dry Wall Anchors
2	Supplied Screws (4pcs #8-16 1¼" tapping screws)
3	Supplied Mounting Template
4	ConteralIP® Bullet EX Camera

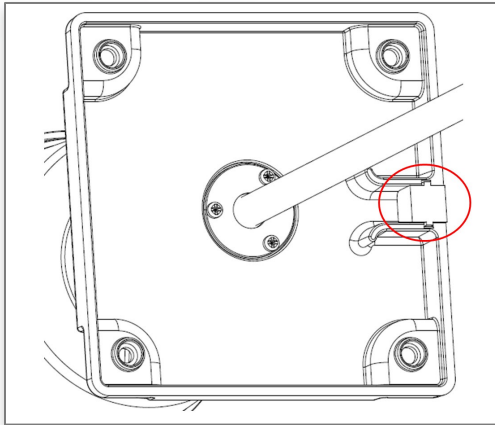
**NOTE: The camera is suggested to be installed above 3 meters and covered by a minimum 3.1" (8cm) overhang eave.**

1. Determine a secure location to mount the camera.
2. Use the template, anchors, and screws provided to prepare the mounting provisions for the camera installation.
3. (Optional/ Recommended) Install AV-JBA-W junction box adapter (sold separately) to the wall using appropriate hardware.

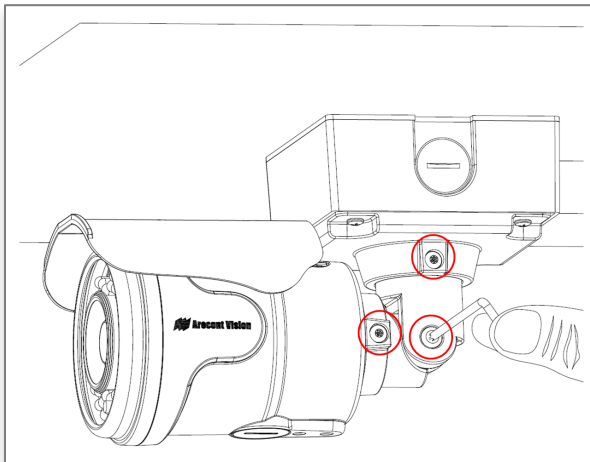


4. Install four supplied dry wall anchors using the supplied mounting template.
5. (If necessary) To install SD card on the camera, see the "SD Card Installation" section of this manual.

6. Install the supplied rubber plug on the bracket to ensure a water tight installation for outdoor applications.



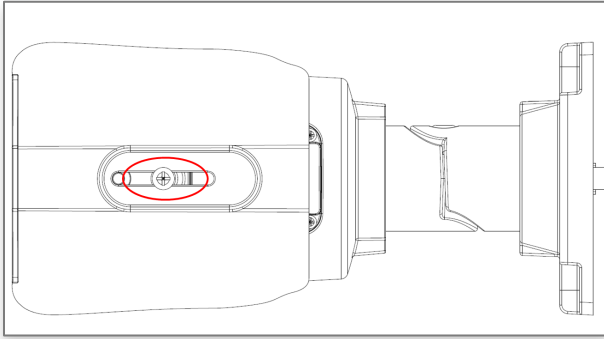
7. Connect the network cable to the camera's RJ45 connector.
8. Align four supplied screws with the dry wall anchors, and screw ConteralP® Bullet EX camera into place.
9. To configure the camera, reference the “**camera discovery, set-up and configuration**” section.
10. Use the supplied security L-key to adjust the bracket to appropriate position. The bracket with 3 axes enables easy installation in any location, including 360° camera body rotation, 90° tilt, 360° bracket rotation.



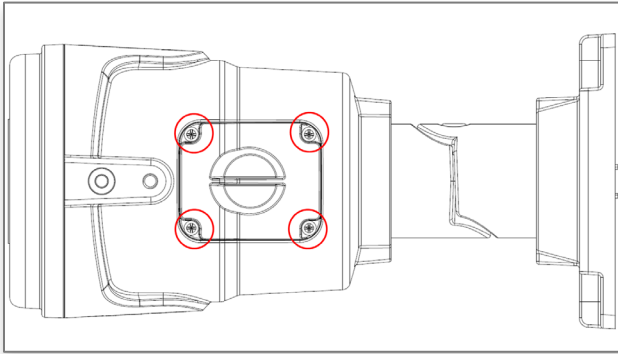
11. To adjust the zoom and focus, see the “**Zoom and Focus**” Section of this manual.

## SD Card

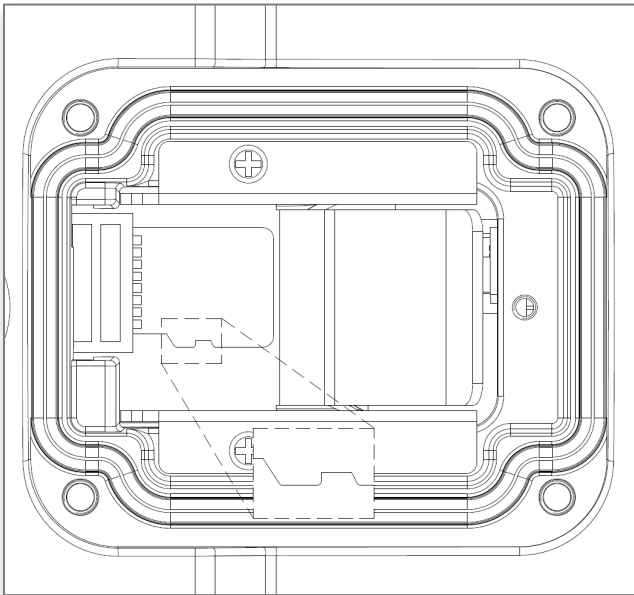
1. Use Phillips screwdriver to remove sun shield cover



2. Use Phillips screwdriver to unscrew four screws on the lid, and take off the lid



3. Push SD card into SD card slot, or take SD card out from SD card slot  
*Note: Make sure insert SD card in the correct orientation*

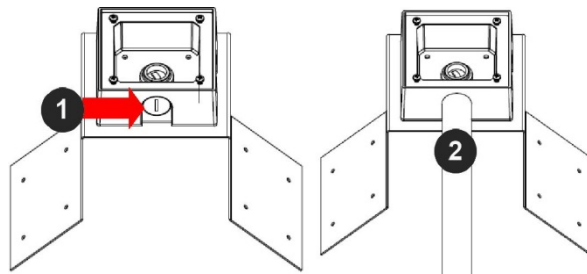




## Corner Mount

For a corner mount installation, the AV-JBA-W Junction Box Adapter and AV-CRMA corner mount are required (sold separately). A corner mount should only be attached onto hard corner surfaces including wood, plastic, metal, and concrete.

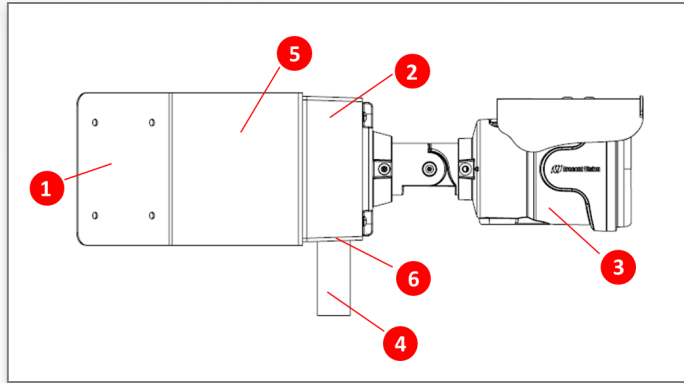
1. Using the Mounting template, prepare the mounting provisions for the camera installation.
2. Attach the Junction Box Adapter to the Corner Mount Adapter.
3. Remove the conduit plug on the junction box adapter and connect ¾" NPT conduit to the junction box adapter.



Reference #	Description
1	Remove conduit plug
2	Connect ¾" NPT conduit to junction box adapter (ensure use of water seal tape)

**NOTE: Use silicon or water pipe seal tape to make sure no water leakage between conduit pipe and junction box adapter.**

4. Run the Ethernet cable and outside power cable (if necessary) through the Junction Box Adapter. Ensure the gasket is seated properly.
5. Attach the ConteralP® Bullet EX camera to the Junction Box Adapter (AV-JBA-W).



Reference #	Description
1	Attach corner mount adapter to exterior 90° corner wall
2	AV-JBA-W junction box adapter
3	ConteralP® Bullet EX Camera
4	Conduit pipe
5	AV-CRMA corner mount adapter
6	Apply Teflon water seal tape to the thread of 3/4" NPT pipe to avoid water leakage

6. Using the screws provided (or other hardware), attach the Corner Mount Adapter to an exterior 90-degree corner wall.
7. To configure the camera, reference the camera discovery, set-up and configuration section.

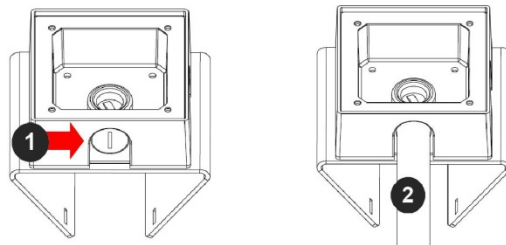
**ⓘ CAUTION!**

The captive screws must be used to properly secure the dome cover and camera housing. Failure to use the captive fastener may result in serious injury. When mounting the dome cover to the camera housing, ensure that the gasket is properly seated and not folded. Failure to do so may result in water and dust ingress. Water damage from improper installation is not covered by the warranty!

## Pole Mount

For a pole mount installation, the AV-JBA-W junction box adapter and AV-PMA pole mount are required (sold separately).

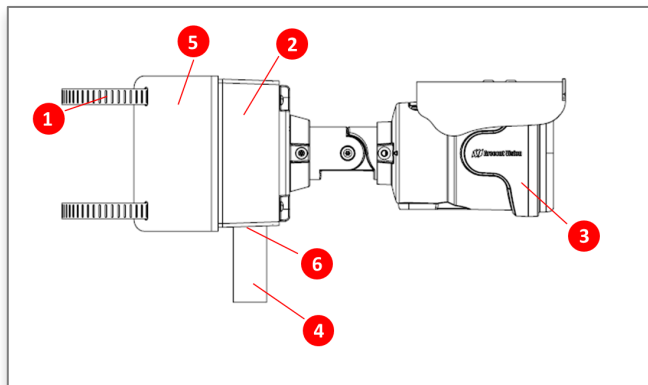
1. Using the Mounting template, prepare the mounting provisions for the camera installation.
2. Attach the Junction Box Adapter to the Pole Mount Adapter.
3. Remove the conduit plug on the junction box adapter and connect ¾" NPT conduit to the junction box adapter.



Reference #	Description
1	Remove conduit plug
2	Connect ¾" NPT conduit to junction box adapter (ensure use of water seal tape)

**NOTE:** Use silicon or water pipe seal tape to make sure no water leakage between conduit pipe and junction box adapter.

4. Run the Ethernet cable and outside power cable (if necessary) through the Junction Box Adapter. Ensure the gasket is seated properly.
5. Attach the ConteralP® Bullet EX camera to the Junction Box Adapter (AV-JBA-W).



Reference #	Description
1	Steel straps with compression screws
2	AV-JBA-W junction box adapter
3	ConteralP® Bullet EX Camera
4	Conduit pipe
5	AV-PMA pole mount adapter
6	Apply Teflon water seal tape to the thread of ¾" NPT pipe to avoid water leakage

6. Use the supplied two Steel Straps to attach the Pole Mount Adapter to the pole and tighten the compression screws.
7. To configure the camera, reference the camera discovery, set-up and configuration section.

**ⓘ CAUTION!**

The captive screws must be used to properly secure the dome cover and camera housing. Failure to use the captive fastener may result in serious injury. When mounting the dome cover to the camera housing, ensure that the gasket is properly seated and not folded. Failure to do so may result in water and dust ingress. Water damage from improper installation is not covered by the warranty!

## Electrical Box Adapter

The electrical box adapter is used to attach the camera to a common single, double or square electrical box. The AV-EBAS is required (sold separately).

1. Using the supplied machine screws, match the mounting holes on the electrical box adapter with the threaded holes on the electrical box. Ensure every threaded hole is matched with a mounting hole.
2. Attach the electrical box adapter to the user supplied electrical box.

# Camera Power Up

## ⓘ CAUTION!

This product should be installed by a qualified service technician in accordance with the National Electrical Code (NEC 800 CEC Section 60) or applicable local code. Wiring methods shall be in accordance with the National Electrical Code/NFPA 70/ANSI, and with all local codes and authorities having jurisdiction. Wiring should be UL Listed and/or Recognized wire suitable for the application.

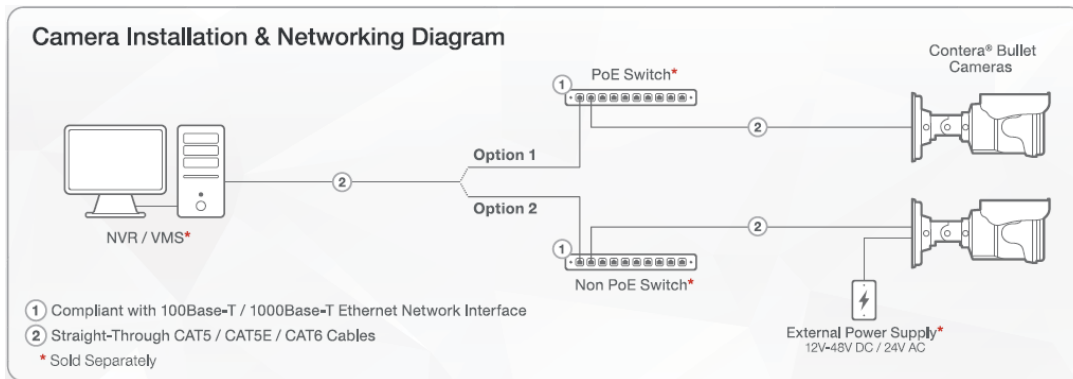
## CAUTION!

Make the connections inside a watertight compartment. Isolate unused power wires individually. After connections are made, ensure that the watertight compartment is tightly closed and cables and conduits are properly sealed to prevent ingress of water.

## CAUTION!

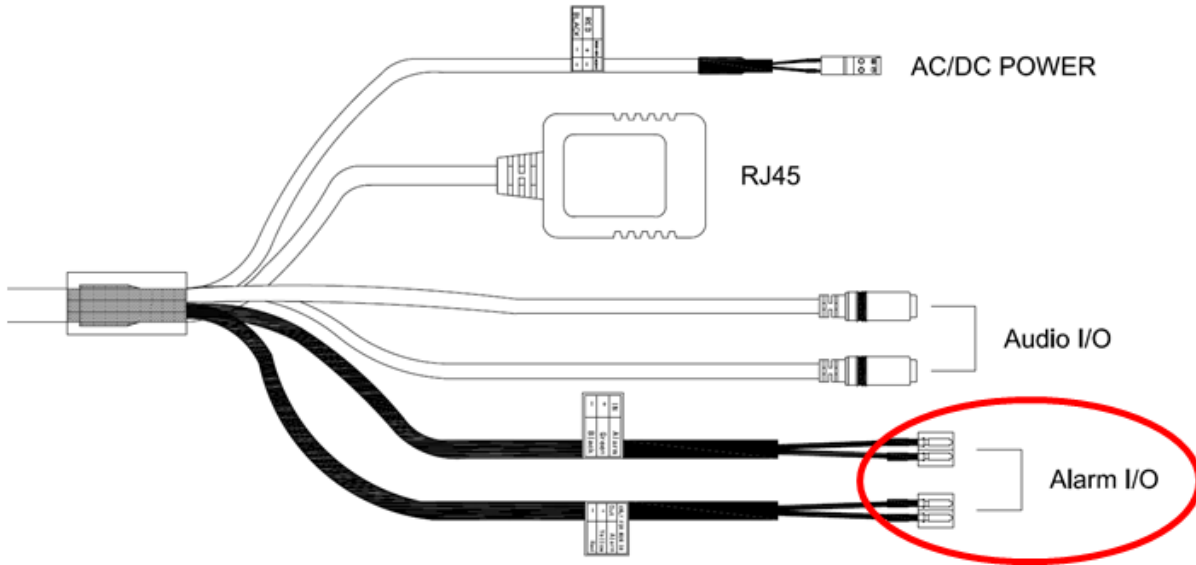
This product is intended to be supplied by a Listed Power Adapter or DC power source, rated  
 (1) 24 VAC , 0.416 A, 50/60Hz ; (2) 12-48 VDC, 0.83-0.2 A ;  
 (3) 48 VDC, 0.27 A (for PoE), Tma = 50 °C, and the altitude of operation = 2000m. If need further assistance with purchasing the power source, please contact to ARECONT VISION COSTAR LLC for further information."

1. Connect the camera to a PoE port on 100Mbps network PoE switch using an Ethernet cable.
2. If the camera is powered by an outside power supply, 12~48VDC or 24VAC (red and black wires), connect the power cable.
3. Connect the PoE switch to your computer's network port using an Ethernet cable.



LED	Status	Description
Green	Quick Flashing	Link has been established
	Slow Flashing	Normal operation
None	None	No Connection

# Alarm I/O Functions



Connect the Alarm In (DI) connector to the alarm input sensor, and connect Alarm Out (DO) connector to the alarm output signal.

To avoid any damaged, please follow the specification of the part as below:

Alarm In (Wet Contact)		Alarm Out (Wet Contact)	
V sense		V sense	I sense
4.2V±30%		0-80V	50mA (max)

## Reset to Factory Default

User should reset the camera to factory default via camera web interface or AV IP Utility.

# Camera Discovery, Setup, and Configuration

For camera discovery and setup, the AV IP Utility is recommended. The software can be found on the CD included with your camera or at: <http://www.arecontvision.com/software.php>

The AV IP Utility has the ability to provide multiple discovery options, including broadcast and multicast, check the status of a camera, change camera settings, import and export camera settings via a .csv file, and update firmware and/or hardware from virtually anywhere with a network connection.

Whether used for large installations that require an update to multiple settings, or smaller installations where only one camera needs changed, the AV IP Utility tool is efficient and convenient for mass or single camera uploads.

The AV IP Utility tool is compatible with all Contera®IP cameras. The user manual for the software is included on the CD that came with your camera or available on our website.

## Camera Discovery

1. Locate and double click the AV IP Utility shortcut on the desktop.

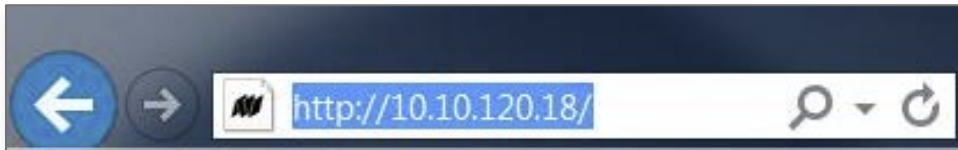


2. When the AV IP Utility is launched, it will automatically search the Contera cameras on the network. Or, you can also manually search cameras by clicking "Discovery (Multicast)"

The screenshot shows the 'Arecont Vision IP Utility' application window. The 'Discovery (Multicast)' tab is active, displaying a table with the following data:

Mac	IP	Model	FW Version	HW Version	IPN	Status
00:1A:07:18:A4:70	10.10.120.18	02CID-100	35100	01/016D	180200069	Accessible
00:1A:07:18:A9:F1	10.10.120.44	02CMB-100	35100	01/016D	180301081	Accessible
00:1A:07:18:A4:47	10.10.120.52	05CMB-100	35100	01/016A	180200028	Accessible

3. You can access the camera web user interface by typing the camera IP address on the preferred web browser.



4. If there's no DHCP server presented in the network, the default IP is "192.168.1.168".



## Web Interface Navigation



Image | Video & Audio | Focus | Network | Privacy Mask | Event | Video Analytics | System Options | Administration | About | Support

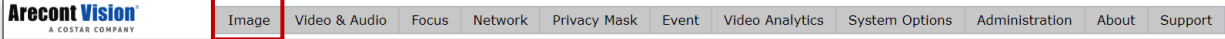
The entire menu is located on the top of the web interface.

The following camera settings are available on the top of the menu in the web interface, and the user will be direct to the page when they click the tab.

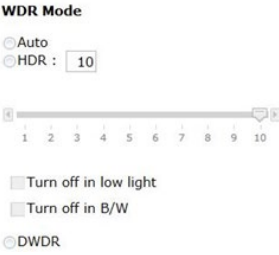

- Image
  - Basic Image Settings
  - Rotate Image
  - Mirror Image
  - WDR (Wide Dynamic Range) Settings
  - Lighting Compensation Frequency
  - Day/Night Mode
  - IR Control
  - OSD (On-Screen Display)
  - ROI (Regions of Interest)
- Video & Audio
  - Show Video Type
  - Control Video with mouse
  - Resolution
  - Main Stream Configuration
  - Sub Stream Configuration
  - Third Stream Configuration
  - Audio
- Focus
  - Zoom & Focus Control
- Network
  - IP Assignment
  - Port
  - DNS
  - IPv6 Settings
  - QoS (Quality of Service)
  - UPnP (Universal Plug and Play)
  - RTSP (Real Time Streaming Protocol)
  - Multicast Stream 1/2/3
  - DDNS (Dynamic DNS)
  - SNMP (Simple Network Management Protocol)
  - SSL (Secure Sockets Layer)
  - FTP (File Transfer Protocol)
  - 802.1x
- Privacy Mask
- Event
  - Motion Detection
  - Alarm Handler
  - Digital I/O

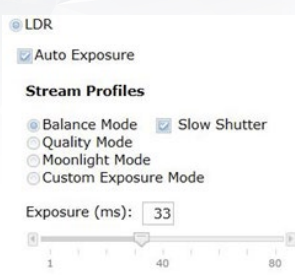
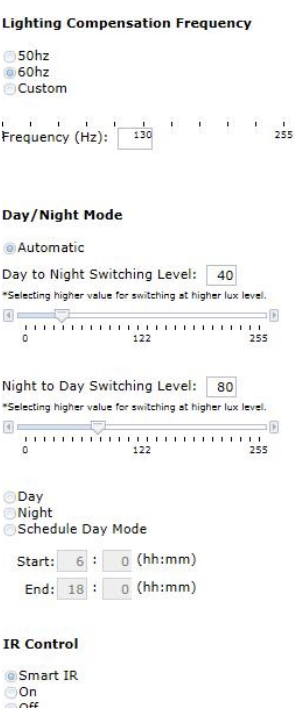
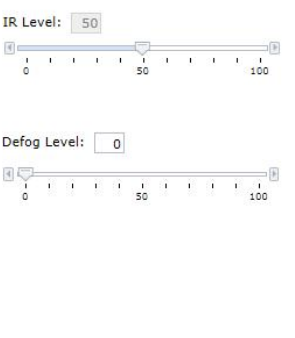
- FTP Upload Handler
- SMTP (Simple Mail Transfer Protocol) Notification
- Network Storage
- System Options
  - Firmware Upgrade
  - Reboot & Restore Settings
  - Date/Time
- Administration
  - Administrator settings
  - Viewer Management
- About
- Support

**Image**



Menu	Feature	Description
<p><b>Image</b></p> <p><b>Rotate Image</b></p> <ul style="list-style-type: none"> <li><input checked="" type="radio"/> 0</li> <li><input type="radio"/> 90</li> <li><input type="radio"/> 180</li> <li><input type="radio"/> 270</li> </ul>	Brightness	Controls the overall brightness of the camera image and works in conjunction with the exposure controls to maintain the image brightness.
	Sharpness	Controls sharpness and edge definition of the image. Setting this to lower levels may make overall image appear a bit softer while causing lines and edges in the image to look smoother.
	Saturation	Controls the color saturation of the image.
	Contrast	Manually controls Gamma level (affects the overall luminance of the image).
	Hue	Configures the overall hue of the image, the range is 0 ~ 100. Increasing the value will adjust the image hue towards red. Decreasing the value will adjust the image hue towards blue.
	Rotate Image:	Digitally rotates image 0°, 90°, 180°, or 270°. <ul style="list-style-type: none"> <li>• 0°</li> <li>• 90°</li> <li>• 180°</li> <li>• 270°</li> </ul>
<p><b>Mirror Image</b></p> <ul style="list-style-type: none"> <li><input type="checkbox"/> Flip Vertically</li> <li><input type="checkbox"/> Flip Horizontally</li> <li><input checked="" type="checkbox"/> Auto White Balance</li> </ul>	<p>Mirror Image:</p> <ul style="list-style-type: none"> <li>• Flip Vertically</li> <li>• Flip Horizontally</li> </ul>	Flips the image horizontally (flip left-to-right) or vertically (flip top-to- bottom). They can be selected at the same time.
	Auto White Balance	Checkbox enables the automatic white balance feature of camera, which will automatically remove unrealistic color cast so that white color is rendered white in the image.

Menu	Feature	Description
 <p><b>WDR Mode</b></p> <p><input type="radio"/> Auto <input checked="" type="radio"/> HDR : 10</p> <p>1 2 3 4 5 6 7 8 9 10</p> <p><input type="checkbox"/> Turn off in low light <input type="checkbox"/> Turn off in B/W</p> <p><input type="radio"/> DWDR</p>	Auto	Auto detects bright backlight, glare or high contrast lighting and automatically selects the WDR level.  <i>Note: WDR enabled will decrease the FPS of 5MP camera.</i>
	HDR	Manually adjusts the intensity of backlight compensation.  <i>Note: WDR enabled will decrease the FPS of 5MP camera.</i>
	Turn off in low light	Disables WDR backlight compensation when the light levels drop for better nighttime image quality.
	Turn off in B/W	Disables WDR backlight compensation when the camera is in night mode for better nighttime image quality.
	DWDR	Digital WDR (DWDR) is to enhance dark areas by adjusting the gamma value. This will not impact FPS of 5MP camera.
 <p><input checked="" type="radio"/> LDR</p> <p><input checked="" type="checkbox"/> Auto Exposure</p> <p><b>Stream Profiles</b></p> <p><input checked="" type="radio"/> Balance Mode <input checked="" type="checkbox"/> Slow Shutter <input type="radio"/> Quality Mode <input type="radio"/> Moonlight Mode <input type="radio"/> Custom Exposure Mode</p> <p>Exposure (ms): 33</p> <p>1 40 80</p>	LDR	Will not combine long and short exposures into one frame, resulting in better low light performance.
	Auto Exposure	Automatically adjusts illumination and exposure values.
	Stream Profiles:	<ul style="list-style-type: none"> <li>Balance Mode - Slow Shutter</li> <li>Quality Mode</li> </ul> <p><b>Balanced Mode:</b> Limits exposure time from 0.1ms to 66ms. The camera will keep highest FPS when <b>Slow Shutter</b> is unchecked.</p> <p><b>Quality Mode:</b> Limits exposure time from 0.1ms to 200ms. This mode is a good compromise between reducing noise and motion blur under most lighting conditions, but with an increase in motion blur under low light conditions.</p>

	<ul style="list-style-type: none"> <li>• Moonlight Mode</li> <li>• Custom Exposure Mode</li> </ul>	<p><b>Moonlight Mode:</b> Limits exposure time from 20ms to 500ms. This mode produces the best image quality under very low light conditions with the least amount of image noise. The trade-off is in favor of low noise at the expense of high motion blur.</p> <p><b>Custom Exposure Mode:</b> Enables manual setting of exposure time between 1 and 80ms. Shorter exposure times reduces motion blur for applications such as monitoring fast moving objects and reading license plates. The trade-off is an increased level of noise. It is recommended that this mode be used only when there is constant scene illumination sufficient to provide a quality image.</p>
	<p>Lighting Compensation Frequency:</p> <ul style="list-style-type: none"> <li>• 50hz</li> <li>• 60hz</li> <li>• Custom</li> </ul> <p>Day/Night Mode</p> <ul style="list-style-type: none"> <li>• Automatic</li> <li>• Day</li> <li>• Night</li> <li>• Schedule Day Mode</li> </ul>	<p>Prevents flicker caused by the power line frequency of lighting. Chooses 50Hz for Europe and China and 60Hz for US and Japan. This parameter will have no effect when the dominate light is sunlight. Or, user can select frequency between 5Hz and 255Hz. It will be enabled when user select "Custom".</p> <p><b>Automatic:</b> Enables the camera to automatically switch from day mode to night mode. User can define the switching level from Day to Night or Night to Day.</p> <p><b>Day:</b> Forces the camera to stay in day mode.</p> <p><b>Night:</b> Forces the camera to stay in night mode.</p> <p><b>Schedule Day Mode:</b> User defined the time that the camera remains in night mode.</p>
	<p>IR control:</p> <ul style="list-style-type: none"> <li>• Smart IR</li> <li>• On</li> <li>• Off</li> <li>• IR Level</li> </ul>	<p><b>Smart IR:</b> Automatically adjusts output in response to the distance of an object in view to prevent overexposure when the object is very close to the camera.</p> <p><b>On/ Off:</b> Manually turns on or off the IR LED array.</p> <p><b>IR Level:</b> Manually adjusts the IR intensity.</p>

	Defog Level	Compensates for fog or clouds in the scene.
<p style="text-align: center;"><b>OSD</b></p> <p><b>Camera Name</b> Contera Network Camera</p> <p><b>Background</b>  <input type="radio"/> Translucent  <input checked="" type="radio"/> Transparent                  Text color: <span>White ▾</span></p> <p><b>Text Overlay</b>                  Top Left                  OFF ▾                  Top Right                  OFF ▾                  Bottom Left                  OFF ▾                  Bottom Right                  OFF ▾</p> <p><span>Apply</span></p>	Camera Name	Specifies a name for the camera. The maximum length is 32 characters.
	Background	Configures the background color of the text overlay. The options are <b>Translucent</b> (light grey) or <b>Transparent</b> .
	Text Color	Options are <b>Black</b> , <b>White</b> , <b>Green</b> , or <b>Yellow</b> .
	Text Overlay	<p>There are four content positions (<b>Top Left</b>, <b>Top Right</b>, <b>Bottom Left</b> and <b>Bottom Right</b>) to display the text overlay.</p> <ul style="list-style-type: none"> <li>Off</li> <li>Date/Time</li> <li>Camera Name</li> <li>Camera Name + Date/Time</li> <li>Custom Text</li> </ul> <p><b>Date/ Time:</b> Displays the current date/time. It will force the camera to synchronize the date/time information.</p> <p><b>Camera Name:</b> Displays the camera name you set.</p> <p><b>Camera Name + Date/Time:</b> Displays both camera name and date/time information.</p> <p><b>Custom Text:</b> Displays a customized text.</p>
<p style="text-align: center;"><b>ROI</b> ▾</p> <p><small>* Create custom regions of interest by enabling zones below and selecting the desired quality level. Then create the ROI by dragging the mouse over the live image and press "Save Area" or "Del Area".</small></p> <p>Stream: <span>Main Stream ▾</span></p> <p>ROI Zone 1: <input type="checkbox"/> Enable  <span>Medium ▾</span> <span>Save Area</span> <span>Del Area</span></p> <p>ROI Zone 2: <input type="checkbox"/> Enable  <span>Medium ▾</span> <span>Save Area</span> <span>Del Area</span></p> <p>ROI Zone 3: <input type="checkbox"/> Enable  <span>Medium ▾</span> <span>Save Area</span> <span>Del Area</span></p> <p>ROI Zone 4: <input type="checkbox"/> Enable  <span>Medium ▾</span> <span>Save Area</span> <span>Del Area</span></p> <p>ROI Zone 5: <input type="checkbox"/> Enable  <span>Medium ▾</span> <span>Save Area</span> <span>Del Area</span></p>	ROI (Regions of Interest)	<p>ROI (Regions of Interest) is used to select which areas will be monitored and recorded with higher image quality while using lower image quality for other non-ROI zones to save bandwidth and storage.</p> <p>To setup the ROI:</p> <ol style="list-style-type: none"> <li>Select <b>Main Stream</b> or <b>Sub Stream</b></li> <li>Enable zones (up to five zones) and select the desired quality level (<b>High</b>, <b>Medium</b>, or <b>Low</b>).</li> <li>Create the ROI by dragging the mouse over the live image</li> <li>Press <b>Save Area</b> or <b>Del Area</b>.</li> </ol>

**Video & Audio**



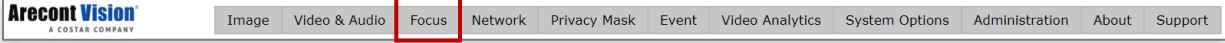
Menu	Feature	Description
<p><b>Video</b></p> <hr/> <p><b>Show Video Type</b></p> <p> <input type="radio"/> Disable Video  <input checked="" type="radio"/> MJPEG over HTTP  <input type="radio"/> H.264 over RTP/UDP                 </p> <p><small>* For H.264 streaming, please make sure ActiveX Plugin is installed during VLC installation and axvlc.dll is at exactly the same path as C:\Program Files (x86)\VideoLAN\VLC\axvlc.dll</small></p> <p><input type="checkbox"/> Fit Video to Window</p> <p><b>Control Video with Mouse</b></p> <p> <input checked="" type="radio"/> No Control  <input type="radio"/> PTZ  <input type="radio"/> ROI Exposure Reference                 </p> <p><small>* Mouse-related control requires running MJPEG video * Click and move to select window to set. * Double click to reset to default settings.</small></p>	<p>Show Video Type:</p> <ul style="list-style-type: none"> <li>Disable Video</li> <li>MJPEG over HTTP</li> <li>H.264 over RTP/UDP</li> </ul>	<p><b>Disable Video:</b> Disables live video on the screen.</p> <p><b>MJPEG over HTTP:</b> This radio button is the default browser display option. No plug in is required as most browsers can decode MJPEG images.</p> <p><b>H.264 over RTP/UDP:</b> Displays video using H.264. If viewing this way for the first time you will see the following prompt to download the necessary browser plug –in to display the video in the browser using this compression.</p>
	<p>Fit Video to Window</p>	<p>Scales the full field of view image to fit the browser window. When in default unselected images will be displayed in the browser at VGA resolution.</p>
	<p>Control Video with Mouse</p> <ul style="list-style-type: none"> <li>No Control</li> <li>PTZ</li> <li>ROI Exposure Reference</li> </ul>	<p>Radio buttons control various functions using the mouse to select them on screen.</p> <p>The function selected can be controlled by left clicking in the image with the mouse and dragging to select an image region relevant to the corresponding control function.</p> <p><b>No Control:</b> Disables mouse control of these functions.</p> <p><b>PTZ:</b> Zooms in the selected region. Double click on the image to restore the image to default.</p> <p><b>ROI Reference:</b> Creates a custom exposure reference using the selected region to customize backlight.</p>
<p><b>Resolution</b></p> <p>Left : <input type="text" value="0"/></p> <p>Top : <input type="text" value="0"/></p> <p>Right : <input type="text" value="1920"/></p> <p>Bottom : <input type="text" value="1080"/></p> <p><input type="button" value="Preview"/> <input type="button" value="Apply"/></p>	<p>Resolution:</p> <ul style="list-style-type: none"> <li>Left</li> <li>Top</li> <li>Right</li> <li>Bottom</li> </ul>	<p>Controls the image size and image cropping features.</p> <p><b>Left, Top, Right, and Bottom</b> numeric fields set custom image size cropping and crop area coordinates in pixels. Supported values are 0 to maximum resolution in pixels (maximum varies based on the sensor resolution being cropped)</p>

<p><b>Main Stream</b></p> <p>Video Compression  <input type="radio"/> H.265  <input checked="" type="radio"/> H.264</p> <p>Resolution  <input checked="" type="radio"/> 1920x1080  <input type="radio"/> 1280x720  <input type="radio"/> 960x540</p> <p><input type="checkbox"/> Enable SNAPstream+™</p> <p><input type="radio"/> Variable Bitrate  <input checked="" type="radio"/> Maximum Bitrate          (64-8000 kbps): <input type="text" value="5000"/></p> <p>H.264 Quality (1..10) : <input type="text" value="3"/></p> <p>* 10 - lowest quality, 1 - highest quality</p> <p>Frames Per Seconds: <input type="text" value="30"/> (0~30 )</p> <p>GOP Length : <input type="text" value="15"/> (1~120 )</p> <p><input type="button" value="Apply"/></p> <p>* "Apply" will apply changes for all three streams settings to the camera.</p> <p><b>Sub Stream</b></p> <p>Video Compression  <input type="radio"/> H.265  <input checked="" type="radio"/> H.264</p> <p>Resolution  <input type="radio"/> 1920x1080  <input type="radio"/> 1280x720  <input checked="" type="radio"/> 960x540  <input type="radio"/> 640x480  <input type="radio"/> 640x360  <input type="radio"/> 320x240</p> <p><input type="checkbox"/> Enable SNAPstream+™</p> <p><input type="radio"/> Variable Bitrate  <input checked="" type="radio"/> Maximum Bitrate          (64-8000 kbps): <input type="text" value="2850"/></p> <p>H.264 Quality (1..10) : <input type="text" value="7"/></p> <p>* 10 - lowest quality, 1 - highest quality</p> <p>Frames Per Seconds: <input type="text" value="10"/> (0~30 )</p> <p>* If both Main Stream and Sub Stream set to 1080P, the Third Stream will be terminated, and the FPS of Sub Stream can be set up to 20fps.</p> <p>GOP Length : <input type="text" value="30"/> (1~120 )</p> <p><input type="button" value="Apply"/></p> <p>* "Apply" will apply changes for all three streams settings to the camera.</p>	<p>Video Compression:</p> <ul style="list-style-type: none"> <li>H.265</li> <li>H.264</li> </ul>	<p>Radio buttons to select the desired compression.</p>
	<p>Resolution</p>	<p>Radio buttons to select the desired resolution. Options vary based on the sensor resolution being used.</p>
	<p>Enable SNAPstream+™</p>	<p>Enables the SNAPstream+™ feature on camera. This feature utilizes both Smart GOP and Smart ROI to reduce bitrate without impacting the image quality.</p> <p>Smart GOP sets GOP to automatically increase when no moving objects are detected.</p> <p>Smart ROI will increase the bitrate of moving objects and make them more clear.</p>
	<p>Variable Bitrate</p>	<p>Maintains the Quality setting configured. There may be variation in the bit rate output from the camera using this mode.</p>
	<p>Maximum Bitrate</p>	<p>Maintains variable bit rate control and maintains the bitrate under the rate limit you set to. It can be set from 64 kbps to 8000 kbps.</p>
	<p>H.264 Quality</p>	<p>H.264 image quality setting for variable bit rate control. Setting a lower value results in higher image quality, higher value results in lower image quality.</p>
	<p>Frames Per Seconds</p>	<p>Frame rate adjustment for the camera video stream.</p> <p><i>Note: For 5MP models, FPS will be up to 50% of specified FPS if WDR is enabled.</i></p> <p><i>Note: For 5MP models, if both main and sub stream set to full resolution, the maximum FPS of the main stream is up to 15 FPS.</i></p>
	<p>GOP Length</p>	<p>Specifies how many frames between two consecutive I-Frames.</p>



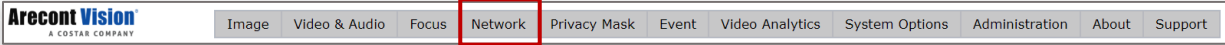
<p><b>Third Stream</b></p> <p>Video Compression  <input checked="" type="radio"/> MJPEG</p> <p>Resolution  <input checked="" type="radio"/> 640x360</p> <p>Frames Per Seconds: <input type="text" value="30"/> (0~30 )</p> <p>Quality  <input type="radio"/> Low  <input type="radio"/> Mid  <input checked="" type="radio"/> High</p> <p><input type="button" value="Apply"/></p> <p><small>* "Apply" will apply changes for all three streams settings to the camera.</small></p>	<p>Video Compression:</p> <ul style="list-style-type: none"> <li>• MJPEG</li> </ul>	<p>The third stream is designed for the live view on the web interface, the only compression option is MJPEG.</p>
	<p>Resolution</p>	<p>The third stream is designed for the live view on web interface, the only Resolution is VGA.</p>
	<p>Frames Per Seconds</p>	<p>Frame rate adjustment for the camera video stream.</p>
	<p>Quality:</p> <ul style="list-style-type: none"> <li>• Low</li> <li>• Mid</li> <li>• High</li> </ul>	<p>Adjusts the compression level for JPEG images</p>
<p style="text-align: center;"><b>Audio</b></p> <p><input checked="" type="checkbox"/> Audio In</p> <p>Volume  <input type="radio"/> High  <input checked="" type="radio"/> Middle  <input type="radio"/> Low</p> <p><input type="checkbox"/> Audio Out</p> <p>Volume  <input type="radio"/> High  <input checked="" type="radio"/> Middle  <input type="radio"/> Low</p>	<p>Audio In</p> <p>Audio Out</p> <p>Volume:</p> <ul style="list-style-type: none"> <li>• High</li> <li>• Middle</li> <li>• Low</li> </ul>	<p>Enables the Audio In/ Audio Out features on the camera.</p> <p>Specifies the volume level of Audio In/ Audio Out: <b>High, Middle, or Low.</b></p>

**Focus**



Menu	Feature	Description
<p><b>Zoom &amp; Focus</b></p> <hr/> <p>Zoom :</p> <p>+20 +5 +1</p> <p>-20 -5 -1</p> <p><input type="checkbox"/> Enable Auto Focus After Zoom</p> <p>Focus : <input type="text"/></p> <p>+20 +5 +1</p> <p>-20 -5 -1</p> <p>Full-range Focus</p> <p>Short-range Focus</p> <p>Stop</p> <p>Reset Zoom and Focus Position</p>	<p>Manual Zoom/ Focus:</p> <ul style="list-style-type: none"> <li>+20</li> <li>+5</li> <li>+1</li> <li>-20</li> <li>-5</li> <li>-1</li> </ul>	<p>Numbers indicate the level of Zoom/ focus to adjust the field-of-view.</p>
	Enable Auto Focus Zoom	Camera will Auto Focus after changing zoom lens group position.
	Full-range Focus	Best for scenes that are completely out of focus. The camera automatically scans the full focus range of the scene to find the best focus position.
	Short-range Focus	Best for scenes that are slightly of out of focus. The camera quickly fine-tunes for a precise focus position.
	Stop	Stops any command in progress.
	Reset Zoom and Focus Position	Resets Zoom and Focus lens groups to zero position

**Network**



<p style="text-align: center;"><b>Network</b></p> <hr/> <p><b>IP Assignment</b></p> <p><input checked="" type="checkbox"/> DHCP</p> <p>IP Address: <input type="text" value="10.10.45.27"/></p> <p>Subnet Mask: <input type="text" value="255.255.255.0"/></p> <p>Default Gateway: <input type="text" value="10.10.45.1"/></p> <p><b>Port</b></p> <p>HTTP: <input type="text" value="80"/> (80,1024~65535)</p> <p>Second HTTP Port: <input type="text" value="8080"/> (8080,1024~65535)</p> <p>HTTPS: <input type="text" value="443"/> (443,1024~65535)</p> <p><b>DNS</b></p> <p>Primary DNS: <input type="text" value="10.5.50.5"/></p> <p>Secondary DNS: <input type="text"/></p>	<p>IP Assignment:</p> <ul style="list-style-type: none"> <li>• DHCP</li> <li>• IP Address</li> <li>• Subnet Mask</li> <li>• Default Gateway</li> </ul>	<p><b>DHCP:</b> If checked, the camera will attempt to obtain its IP address from the DHCP server available on the network.</p> <p><b>IP Address:</b> Sets the current IP address of the camera.</p> <p><b>Subnet Mask:</b> Once set, the camera will use these mask bits to determine if a destination is from a different network</p> <p><b>Default Gateway:</b> Once set, the camera will use send traffic to the specified gateway if the destination is on a different network</p>
	<p>Port:</p> <ul style="list-style-type: none"> <li>• HTTP</li> <li>• Second HTTP Port</li> <li>• HTTPS</li> </ul>	<p><b>HTTP:</b> The port default is 80. It is used to access the camera via the web browser.</p> <p><b>Second HTTP port:</b> Sets an alternative HTTP port. This port can be useful when the standard HTTP port (80) is not appropriate for this camera.</p> <p><b>HTTPS:</b> The port default is 443. It can be used when you use HTTPS.</p>
	<p>Port:</p> <ul style="list-style-type: none"> <li>• Primary DNS</li> <li>• Secondary DNS</li> </ul>	<p>Configures the Primary and Secondary DNS.</p>
<p><b>IPv6 Settings</b></p> <p><input type="checkbox"/> Enable IPv6</p> <p>Link-Local:</p> <p>IPv6 Address: <input type="text"/></p> <p>Address Prefix: <input type="text" value="64"/> (0~127)</p> <p>Default Route: <input type="text"/></p> <p><input type="checkbox"/> Router Advertisement</p> <p>DNS: <input type="text"/></p>	<p>IPv6 Settings:</p> <ul style="list-style-type: none"> <li>• Enable IPv6</li> <li>• IPv6 Address</li> <li>• Address Prefix</li> <li>• Default Route</li> <li>• Router Advertisement</li> <li>• DNS</li> </ul>	<p><b>Enable IPv6:</b> Enables IPv6 function.</p> <p>Manually configures <b>IPv6 address</b>, <b>Address prefix</b>, <b>Default route</b>, and <b>DNS server address</b>.</p> <p><b>Router Advertisement:</b> Enables Router Advertisement</p>

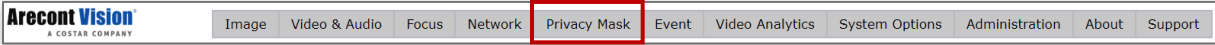
<p><b>QoS</b></p> <p><input type="checkbox"/> Enable QoS</p> <p>Video QoS (0-63) : <input type="text" value="34"/></p> <p>Management DSCP (0-63) : <input type="text" value="0"/></p> <p><input type="button" value="Apply"/></p>	Enable QoS	Enables quality of service.
	Video QoS	Sets DSCP value for video traffic.
	Management DSCP	Sets DSCP value for non-video traffic.
<p><b>UPnP</b></p> <p><input checked="" type="checkbox"/> Enable UPnP</p> <p><input type="button" value="Apply"/></p>	Enable UPnP	Enables Universal Plug and Play function.
<p><b>RTSP</b></p> <p>Port : <input type="text" value="65536"/> (554, 1025~65535)</p> <p><input checked="" type="checkbox"/> Enable RTSP Unicast Stream1</p> <p><input type="checkbox"/> Enable RTSP Stream1 Metadata</p> <p>Path1 : <input type="text" value="stream1"/></p> <p>Link for external media players : <a href="rtsp://10.10.45.27:65536/stream1">rtsp://10.10.45.27:65536/stream1</a></p> <p><input checked="" type="checkbox"/> Enable RTSP Unicast Stream2</p> <p><input type="checkbox"/> Enable RTSP Stream2 Metadata</p> <p>Path2 : <input type="text" value="stream2"/></p> <p>Link for external media players : <a href="rtsp://10.10.45.27:65536/stream2">rtsp://10.10.45.27:65536/stream2</a></p> <p><input checked="" type="checkbox"/> Enable RTSP Unicast Stream3</p> <p><input type="checkbox"/> Enable RTSP Stream3 Metadata</p> <p>Path3 : <input type="text" value="stream3"/></p> <p>Link for external media players : <a href="rtsp://10.10.45.27:65536/stream3">rtsp://10.10.45.27:65536/stream3</a></p>	Port	Configures the port number for stream 1 to stream 3. The range is 554/1025~65535.
	Enable RTSP Unicast Stream	Enables RTSP Unicast for stream 1 (Main stream), stream 2 (Sub Stream), and stream 3 (Third Stream)
	Enable RTSP Stream metadata	Enables RTSP stream metadata for stream 1 (Main stream), stream 2 (Sub Stream), and stream 3 (Third Stream)
	Path	Configures the pathname for each stream.
	Link for external media players	Copies the link from here for external media players
	Enable RTSP Multicast Stream	Enables RTSP Multicast stream for stream 1 (Main stream), stream 2 (Sub Stream), and stream 3 (Third Stream)
Always Multicast	Enables the video streams to start multicast steaming without using RTCP	
Video IP	Configures the multicast address and the port number to stream video.	

<p style="text-align: center;">Multicast</p> <p><b>Multicast Stream1</b></p> <p><input type="checkbox"/> Enable RTSP Multicast Stream</p> <p><input type="checkbox"/> Always Multicast</p> <p>Video IP : <input type="text" value="225.24.164.112"/></p> <p>Video Port : <input type="text" value="5000"/> (1025~65535)</p> <p>Audio IP : <input type="text" value="226.24.164.112"/></p> <p>Audio Port : <input type="text" value="5002"/> (1025~65535)</p> <p>Meta IP : <input type="text" value="227.24.164.112"/></p> <p>Meta Port : <input type="text" value="5004"/> (1025~65535)</p> <p>Path : <input type="text" value="stream1m"/></p> <p>TTL : <input type="text" value="255"/> (1~255)</p>	Video Port	
	Audio IP	Configures the multicast address and the port number to stream audio.
	Audio Port	
	Meta IP	Configures the multicast address and the port number to the HTML meta.
	Meta Port	
	Path	Configures the URL address of the video stream.
	TTL	Configures the time-to-live threshold of the multicast datagram before it is discarded by the router.
<p style="text-align: center;">DDNS</p> <p><input type="checkbox"/> Enable DDNS</p> <p>Host Name : <input type="text"/></p> <p>DDNS Server : <input type="text" value="DynDNS"/></p> <p>User Name : <input type="text"/></p> <p>Password : <input type="text"/></p> <p>Password Confirmation : <input type="text"/></p> <p><input type="button" value="Apply"/></p>	Enable DDNS	Enables DDNS service
	Host Name	Specifies the Host name registered with the DDNS server
	DDNS Sever	Selects one of the pubic DDNS severs from the dropdown menu. Options are <b>DynDNS</b> , <b>NO-IP</b> , and <b>Twi-DNS</b> .
	User Name	Specifies the user name of the DDNS account.
	Password	Specifies the password of the DDNS account.
	Password Confirmation	Confirms the password of the DDNS account.
	No SNMP Sever	Disables SNMP function
SNMP v2c	Enables SNMP version 2 support	

<p style="text-align: center;"><b>SNMP</b></p> <p><input checked="" type="radio"/> No SNMP Server</p> <p><input type="radio"/> SNMP V2c Community String : <input type="text" value="public"/></p> <p><b>Trap Configuration</b> Address : <input type="text" value="192.168.1.200"/> Community String : <input type="text" value="public"/></p> <p><input type="radio"/> SNMP V3 SNMP User : <input type="text" value="initial"/> Authentication : <input type="text" value="None"/> Password : <input type="text"/> Privacy : <input type="text" value="None"/> Password : <input type="text"/></p> <p><b>Trap Configuration</b> Address : <input type="text" value="192.168.1.200"/></p> <p style="text-align: center;"><input type="button" value="Download MIB"/></p> <p style="text-align: center;"><input type="button" value="Apply"/></p>	Community String	Specifies the name of the community for access to SNMP information.
	Trap Configuration: <ul style="list-style-type: none"><li>Address</li><li>Community String</li></ul>	Specifies the destination IP address to send SNMP trap messages.
	SNMP v3	Enables SNMP version 3 support.
	SNMP User	Specifies the user name of the SNMP v3.
	Authentication Password	Selects one of the Authentication modes from the dropdown menu. Options are <b>None</b> , <b>MD5</b> , and <b>SHA</b> .  Specifies the Password for the Authentication.
	Privacy Password	Selects one of the encryption methods for SNMP v3 from the dropdown menu. Options are <b>DES</b> and <b>AES</b> .  Specifies the Password for the encryption.
	Trap Configuration: <ul style="list-style-type: none"><li>Address</li></ul>	Specifies the destination IP address to send SNMP trap messages.
	Download MIB	Click to download MIB file for SNMP.
Mode: <ul style="list-style-type: none"><li>Disable</li><li>Optional</li></ul>	<b>Disable:</b> Support for HTTP only.  <b>Optional:</b> Support for HTTP and HTTPs both.	
Certificate	Shows the current status of the Certificate	

<p style="text-align: center;"><b>SSL</b></p> <p>Mode : <input type="radio"/> Disable <input checked="" type="radio"/> Optional</p> <p>Certificate : No certificate has been installed.</p> <p>Action : <input type="button" value="Install New Certificate"/></p> <p>Key PEM file : <input type="button" value="Choose File"/> No file chosen <input type="button" value="Upload"/></p> <p>Certificate PEM file : <input type="button" value="Choose File"/> No file chosen <input type="button" value="Upload"/></p> <p><input type="button" value="Apply"/></p>	<p>Install New Certificate</p> <ul style="list-style-type: none"> <li>CA Certificate</li> <li>Client Certificate</li> </ul>	<ol style="list-style-type: none"> <li>Locate <b>CA Certificate</b> and <b>Client Certificate</b> and click Upload.</li> <li>Click <b>Install New Certificate</b> to upload the Certificate.</li> </ol>
<p style="text-align: center;"><b>FTP</b></p> <p><input type="checkbox"/> Enable</p> <p>User name : adminftp</p> <p>Password : <input type="password" value="...."/></p> <p>Confirm : <input type="password" value="...."/></p> <p>Max. Connection (1~10) : <input type="text" value="10"/></p> <p><input type="button" value="Apply"/></p>	<p>Enable</p>	<p>Enables FTP access to the camera.</p> <p><i>Note: This function is only available when a SD card is installed. You can access files in the SD card via FTP.</i></p>
	<p>Password Confirm</p>	<p>Specifies and confirms the password to access the FTP.</p>
	<p>Max. Connection</p>	<p>Specifies the maximum number of FTP connections to the IP camera.</p>
<p style="text-align: center;"><b>802.1x</b></p> <p>Protocol : <input type="text" value="NONE"/></p> <p><input type="button" value="Apply"/></p>	<p>Protocol</p>	<p>You can select one of the protocol options from the dropdown menu. The supported protocols are <b>EAP-MD5</b>, <b>EAP-TLS</b>, <b>EAP-TTLS</b> or <b>EAP-PEAP</b>.</p> <p>After the protocol has been selected, manually configure the username, password and other required information.</p>

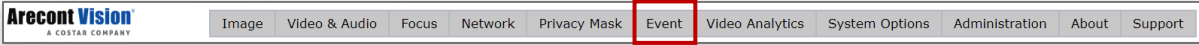
## Privacy Mask



Menu	Feature	Description
<p><b>Privacy Mask</b></p> <hr/> <p><input type="checkbox"/> Enable Privacy Mask</p> <p>* Left click and drag to set mask * Right click and drag to erase mask <i>Note: It might take a few seconds for a privacy mask to show on the video stream.</i></p>	Enable Privacy Mask	Creates a privacy mask on the image so the selected areas will not be visible.



**Event**



Menu	Feature	Description
<p><b>Motion Detection</b> ▾</p> <p><input checked="" type="checkbox"/> Enable <input type="checkbox"/> Extended</p> <p>Zone Size: <input type="text" value="11"/> </p> <p>Object Size Sensitivity: <input type="text" value="2"/> </p> <p>Movement Duration Factor: <input type="text" value="7"/> </p> <p>Motion Sensitivity, %: <input type="text" value="80"/> </p> <p><small>* Left click and move to select window to set mask. * Right click and move to select window to reset mask.</small></p>	Enable	Turns on and off on-camera motion detection
	Extend	Enables the extended motion detection and motion detection zones increase from default 64 to 1024 for enhanced motion detection sensitivity.
	Zone Size	Adjusts the size of motion detection zones.
	Detail	Sets the size of each zone displayed by the motion detection grid. Sub zones can be up to 32x32 (pixels). This setting configures the sensitivity of the motion detection to the size of objects in the image moving through the zone. Higher values will trigger motion only for larger objects moving through the zone, lower values will cause detection of smaller objects in the zone (increasing sensitivity to smaller size objects moving through the image).
	Level Threshold	Sets the sensitivity to brightness changes between dark and light objects within each grid zone. As an example “Detail” will set the size of the object detected within the zone, “level” sets the duration that movement must be maintained to trigger motion detection. Lower settings can increase false motion alarms caused by image noise, higher settings will require more movement to trigger a motion event.
	Motion Sensitivity	Sets the sensitivity to sudden overall brightness changes in the image.
<p><b>Alarm Handler</b> ▾</p> <p><input checked="" type="checkbox"/> Enable Alarm Detection</p> <p><input type="button" value="Alarm Schedule"/></p> <p><i>*This function is supported depends on models.</i></p>	Enable Alarm Detection	Enables Alarm Detection (Alarm In) function.
	Alarm Schedule	Configures the alarm schedule by holding down the mouse button and clicking the time block to enable

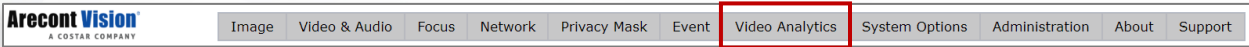
		<p>the schedule settings on the selected time. A light blue color on the time block indicates that the alarm schedule is enabled, while a light grey color indicates that the alarm schedule is disabled.</p> <p>Alternatively, you can manually enter numbers to configure the hours and minutes from start to end for all weekdays.</p> <p><b>S</b>: Click “S” to set up a 24-hour schedule for a particular day.</p> <p><b>D</b>: Click “D” to clear the previous schedule for a particular day.</p>
<p><b>Digital I/O</b> ▾</p> <p><input type="checkbox"/> Trigger Alarm Detection</p> <p><input type="checkbox"/> Trigger Motion Detection</p> <p><input type="checkbox"/> Trigger Network Failure</p> <p><input type="checkbox"/> Trigger Video Analytics</p> <p>Type: <input type="text" value="N.O."/> ▾</p> <p>Off Time: <input type="text" value="0"/> (0~30s)</p> <p><input type="button" value="Apply"/></p> <p><i>*This function is supported depends on models.</i></p>	<p>Trigger Alarm Detection</p> <p>Trigger Motion Detection</p> <p>Trigger Video Analytics</p> <p>Type</p> <p>Off Time</p>	<p>When a signal is detected from Alarm in, the Alarm out will be triggered.</p> <p>When a motion detection event is detected, the Alarm out will be triggered.</p> <p>When a video analytics event is detected, the Alarm out will be triggered.</p> <p>Selects the type: N.O (Normal Open) or N.C (Normal Close)</p> <p>Specifies the alarm duration</p>
<p><b>FTP Upload Handler</b> ▾</p> <p><b>Remote Server</b></p> <p>Host Address : <input type="text"/></p> <p>Port : <input type="text" value="21"/> (21, 1025~65535)</p> <p>Username : <input type="text"/></p> <p>Password : <input type="text"/></p> <p><b>FTP Upload Handler</b></p> <p><input type="checkbox"/> Enable Trigger Event</p> <p><input type="radio"/> Trigger Alarm Detection</p> <p><input type="radio"/> Trigger Motion Detection</p> <p><input type="radio"/> Trigger Video Analytics</p> <p><input type="radio"/> Trigger Scheduled</p> <p><input type="button" value="Apply"/></p>	<p>Remote Server</p> <ul style="list-style-type: none"> <li>Host Address</li> <li>Port</li> <li>Username</li> <li>Password</li> </ul> <p>FTP Upload Handler</p> <ul style="list-style-type: none"> <li>Enable Trigger Event</li> </ul>	<p><b>Host Address</b>: Specifies the host name or IP address of the FTP server.</p> <p><b>Port</b>: Specifies the port number of the FTP server.</p> <p><b>Username</b>: Specifies the login username of the FTP server.</p> <p><b>Password</b>: Specifies the login password of the FTP server.</p> <p>Enables and selects a desired trigger source. The options are <b>Trigger Alarm Detection*</b>, <b>Trigger Motion Detection</b>, <b>Trigger Video Analytics</b>, and <b>Trigger Scheduled</b>.</p> <p><i>*This function is supported depends on models.</i></p>
	<p>SMTP Notification Handler</p>	<p><b>From</b>: Specifies the email address of the sender</p>

<p><b>SMTP Notification</b> ▾</p> <p><b>SMTP Notification Handler</b></p> <p>From : <input type="text"/></p> <p><input type="checkbox"/> Trigger Alarm Detection  <input type="checkbox"/> Trigger Motion Detection  <input type="checkbox"/> Trigger Video Analytics</p> <p><b>SMTP Server</b></p> <p>Host Address : <input type="text"/></p> <p>Port : <input type="text" value="25"/> (1~65535)</p> <p>Username : <input type="text"/></p> <p>Password : <input type="text"/></p> <p>Authentication : <input type="text" value="NO_AUTH"/> ▾</p> <p><b>Recipient List</b></p> <table border="1"> <thead> <tr> <th>Enable</th> <th>No</th> <th>Email</th> <th>Alarm</th> <th>Motion</th> <th>Analytics</th> </tr> </thead> <tbody> <tr><td><input type="checkbox"/></td><td>1</td><td><input type="text"/></td><td><input type="checkbox"/></td><td><input type="checkbox"/></td><td><input type="checkbox"/></td></tr> <tr><td><input type="checkbox"/></td><td>2</td><td><input type="text"/></td><td><input type="checkbox"/></td><td><input type="checkbox"/></td><td><input type="checkbox"/></td></tr> <tr><td><input type="checkbox"/></td><td>3</td><td><input type="text"/></td><td><input type="checkbox"/></td><td><input type="checkbox"/></td><td><input type="checkbox"/></td></tr> <tr><td><input type="checkbox"/></td><td>4</td><td><input type="text"/></td><td><input type="checkbox"/></td><td><input type="checkbox"/></td><td><input type="checkbox"/></td></tr> <tr><td><input type="checkbox"/></td><td>5</td><td><input type="text"/></td><td><input type="checkbox"/></td><td><input type="checkbox"/></td><td><input type="checkbox"/></td></tr> <tr><td><input type="checkbox"/></td><td>6</td><td><input type="text"/></td><td><input type="checkbox"/></td><td><input type="checkbox"/></td><td><input type="checkbox"/></td></tr> <tr><td><input type="checkbox"/></td><td>7</td><td><input type="text"/></td><td><input type="checkbox"/></td><td><input type="checkbox"/></td><td><input type="checkbox"/></td></tr> <tr><td><input type="checkbox"/></td><td>8</td><td><input type="text"/></td><td><input type="checkbox"/></td><td><input type="checkbox"/></td><td><input type="checkbox"/></td></tr> <tr><td><input type="checkbox"/></td><td>9</td><td><input type="text"/></td><td><input type="checkbox"/></td><td><input type="checkbox"/></td><td><input type="checkbox"/></td></tr> <tr><td><input type="checkbox"/></td><td>10</td><td><input type="text"/></td><td><input type="checkbox"/></td><td><input type="checkbox"/></td><td><input type="checkbox"/></td></tr> </tbody> </table> <p><input type="button" value="Apply"/></p>	Enable	No	Email	Alarm	Motion	Analytics	<input type="checkbox"/>	1	<input type="text"/>	<input type="checkbox"/>	<input type="checkbox"/>	<input type="checkbox"/>	<input type="checkbox"/>	2	<input type="text"/>	<input type="checkbox"/>	<input type="checkbox"/>	<input type="checkbox"/>	<input type="checkbox"/>	3	<input type="text"/>	<input type="checkbox"/>	<input type="checkbox"/>	<input type="checkbox"/>	<input type="checkbox"/>	4	<input type="text"/>	<input type="checkbox"/>	<input type="checkbox"/>	<input type="checkbox"/>	<input type="checkbox"/>	5	<input type="text"/>	<input type="checkbox"/>	<input type="checkbox"/>	<input type="checkbox"/>	<input type="checkbox"/>	6	<input type="text"/>	<input type="checkbox"/>	<input type="checkbox"/>	<input type="checkbox"/>	<input type="checkbox"/>	7	<input type="text"/>	<input type="checkbox"/>	<input type="checkbox"/>	<input type="checkbox"/>	<input type="checkbox"/>	8	<input type="text"/>	<input type="checkbox"/>	<input type="checkbox"/>	<input type="checkbox"/>	<input type="checkbox"/>	9	<input type="text"/>	<input type="checkbox"/>	<input type="checkbox"/>	<input type="checkbox"/>	<input type="checkbox"/>	10	<input type="text"/>	<input type="checkbox"/>	<input type="checkbox"/>	<input type="checkbox"/>		<p>Selects a desired trigger source. The options are <b>Trigger Alarm Detection</b>, <b>Trigger Motion Detection</b>, and <b>Trigger Video Analytics</b>.</p>
Enable	No	Email	Alarm	Motion	Analytics																																																															
<input type="checkbox"/>	1	<input type="text"/>	<input type="checkbox"/>	<input type="checkbox"/>	<input type="checkbox"/>																																																															
<input type="checkbox"/>	2	<input type="text"/>	<input type="checkbox"/>	<input type="checkbox"/>	<input type="checkbox"/>																																																															
<input type="checkbox"/>	3	<input type="text"/>	<input type="checkbox"/>	<input type="checkbox"/>	<input type="checkbox"/>																																																															
<input type="checkbox"/>	4	<input type="text"/>	<input type="checkbox"/>	<input type="checkbox"/>	<input type="checkbox"/>																																																															
<input type="checkbox"/>	5	<input type="text"/>	<input type="checkbox"/>	<input type="checkbox"/>	<input type="checkbox"/>																																																															
<input type="checkbox"/>	6	<input type="text"/>	<input type="checkbox"/>	<input type="checkbox"/>	<input type="checkbox"/>																																																															
<input type="checkbox"/>	7	<input type="text"/>	<input type="checkbox"/>	<input type="checkbox"/>	<input type="checkbox"/>																																																															
<input type="checkbox"/>	8	<input type="text"/>	<input type="checkbox"/>	<input type="checkbox"/>	<input type="checkbox"/>																																																															
<input type="checkbox"/>	9	<input type="text"/>	<input type="checkbox"/>	<input type="checkbox"/>	<input type="checkbox"/>																																																															
<input type="checkbox"/>	10	<input type="text"/>	<input type="checkbox"/>	<input type="checkbox"/>	<input type="checkbox"/>																																																															
	<p><b>SMTP Server</b></p> <ul style="list-style-type: none"> <li>• Host Address</li> <li>• Port</li> <li>• Username</li> <li>• Password</li> <li>• Authentication</li> </ul>	<p><b>Host Address:</b> Specifies the host name or IP address of the SMTP server.  <b>Port:</b> Specifies the port number of the SMTP server.  <b>Username:</b> Specifies the login username of the SMTP server.  <b>Password:</b> Specifies the login password of the SMTP server.  <b>Authentication:</b> Specifies the authentication mode of the SMTP sever. The options are <b>NO AUTH</b>, <b>SMTP PLAIN</b>, <b>LOGIN</b> and <b>TLS TLS</b>.</p>																																																																		
	<p><b>Recipient List</b></p>	<p>Specifies the email address to send the email when selected events are triggered by Alarm, Motion, or Tamper. A maximum of 10 email addresses can be configured.</p>																																																																		
	<p><b>Login Certificate</b></p>	<p>Specifies the login <b>Username</b> and <b>Password</b> for the network storage sever.</p>																																																																		

<p><b>Network Storage</b> ▼</p> <p><b>Login Certificate</b> Username : <input type="text"/> Password : <input type="password"/></p> <p><b>Recipient Setup</b> Network Storage Status : not_mounted Network Address : <input type="text"/> Folder Name : <input type="text"/> Record Type : Video ▼</p> <p>Mount and Remove Network Storage <input type="button" value="Mount"/> <input type="button" value="Remove"/></p> <p><b>Network Storage Handler</b> <input type="checkbox"/> Enable Trigger Event <input type="radio"/> Trigger Alarm Detection <input type="radio"/> Trigger Motion Detection <input type="radio"/> Trigger Video Analytics <input type="radio"/> Trigger Scheduled</p> <p><input type="button" value="Apply"/></p>	<p>Recipient Setup</p> <ul style="list-style-type: none"> <li>• Network Storage Status</li> <li>• Network Address</li> <li>• Folder Name</li> <li>• Record Type</li> <li>• Mount and Remove Network Storage</li> </ul>	<p><b>Network Storage Status:</b> Displays the current status of the connection with the network storage server. (<b>not mounted</b> or <b>ok</b>)</p> <p><b>Network Address:</b> Specifies the IP address of the network storage server.</p> <p><b>Folder Name:</b> Specifies the folder name on the network storage server.</p> <p><b>Recording Type:</b> Specifies the desired action when an event is triggered. The options are <b>Snapshot</b> and <b>Video</b>.</p> <p><b>Mount:</b> Sets up a network connection with the network storage server. All the video recordings or snapshots from event triggers will be uploaded to the network storage server. After the setting is complete, the Network Storage Status field will display “ok”.</p> <p><b>Remove:</b> Deletes the previous setting. After the setting is removed, the Network Storage Status field will display “not_mounted”.</p>
<p><b>SD Card</b> ▼</p> <p><input type="checkbox"/> Enable <input type="radio"/> Trigger Alarm Detection <input type="radio"/> Trigger Motion Detection <input type="radio"/> Trigger Video Analytics <input type="radio"/> Manual Record <input type="radio"/> Network Failure</p>	<p>Network Storage Handler</p>	<p>Enables and selects a desired trigger source. The options are <b>Trigger Alarm Detection*</b>, <b>Trigger Motion Detection</b>, <b>Trigger Video Analytics</b>, and <b>Trigger Scheduled</b>.</p>
<p><b>SD Card Information</b> Available Storage 0 MBytes <input type="button" value="Format SD Card"/> Usage 0% (0 / 0 MBytes) Status not_mounted Overwrite when storage full <input checked="" type="checkbox"/> Record Type Video ▼</p>	<p>SD Card Information</p> <ul style="list-style-type: none"> <li>• Available Storage</li> <li>• Format SD Card</li> <li>• Usage</li> <li>• Status</li> </ul>	<p><b>Available Storage:</b> Displays the available storage of the SD card if it is installed.</p> <p><b>Format SD Card:</b> Erases all the data stored on the SD Card.</p> <p><b>Usage:</b> Displays the total storage that has been used.</p>

	<ul style="list-style-type: none"><li>• Overwrite when storage full</li><li>• Record Type</li></ul>	<p><b>Status:</b> Displays whether the SD card is installed or not. (<b>not mounted</b> or <b>ok</b>)</p> <p><b>Overwrite when storage full:</b> Enables overwriting the SD card if the storage is full.</p> <p><b>Recording Type:</b> Specifies the desired action to record a stream. The options are <b>Snapshot</b> and <b>Video</b>.</p>
--	---	---


Video Analytics



*“This camera is not used for heavy traffic (vehicles) or roads/intersections. “*

Menu	Feature	Description
<p><b>Analytics Settings</b></p> <ul style="list-style-type: none"> <li><input checked="" type="checkbox"/> Enable Analytics                             <ul style="list-style-type: none"> <li><input checked="" type="radio"/> Line Crossing</li> <li><input type="radio"/> Loitering</li> <li><input type="radio"/> Camera Tamper</li> <li><input type="radio"/> Intrusion Detection</li> <li><input type="radio"/> Person/Vehicle Counting</li> <li><input type="radio"/> Object Left/Removed</li> </ul> </li> </ul> <p><b>Basic Settings</b></p> <p>Camera Position: <span style="border: 1px solid black; padding: 2px;">Angled View</span></p> <p>Sensitivity: <span style="border: 1px solid black; padding: 2px;">80</span></p> <p><small>*A higher value will detect more motion/movements.</small></p> <ul style="list-style-type: none"> <li><input checked="" type="checkbox"/> Display Bounding Boxes</li> <li><input checked="" type="checkbox"/> Trigger Video Motion Detection Event</li> <li><input checked="" type="checkbox"/> Block Standard Motion Detection Data</li> </ul> <p><small>*If checked, the client(VMS) will only receive the Analytic events as motion detection events.</small></p> <p><span style="border: 1px solid black; padding: 2px;">Apply</span></p>	<p>Enable Analytics</p> <p>Camera Position</p> <ul style="list-style-type: none"> <li>• Angled View</li> <li>• Horizontal View</li> <li>• Top Down View</li> </ul>	<p>Enables and selects a desired Analytic function. The options are <u>Line Crossing</u>, <u>Loitering</u>, <u>Camera Tamper</u>, <u>Intrusion Detection</u>, <u>Person/Vehicle Counting*</u>, <u>Object Left/Removed*</u>.</p> <p><i>* Note: Only the camera with Optional Advanced License supports this function.</i></p> <p><b><u>Line Crossing:</u></b> Detects objects that cross a virtual line.</p> <p><b><u>Loitering:</u></b> Detects objects that remain in a user-specified area beyond a specified time.</p> <p><b><u>Camera Tamper:</u></b> Detects attempts to partially or completely block the lens or field of view, or drastic changes to the camera angle.</p> <p><b><u>Intrusion Detection:</u></b> Detects objects that move into a user specified area.</p> <p><b><u>Person/Vehicle Counting*:</u></b> Performs a continuous, multi directional count of people, vehicles or all objects.</p> <p><b><u>Object Left/Removed*:</u></b> Continuously monitors a specified area to detect objects that have been left/removed.</p> <p>Selecting the correct position is critical for analytics to be successful. Care should be taken to avoid the following:</p> <ol style="list-style-type: none"> <li>1) Object sizes that are too small (&lt;10% of the whole image).</li> <li>2) Object sizes that are too large (&gt;40% of the whole image).</li> <li>3) Objects that can be hidden from view.</li> </ol> <p><b><u>Angled View:</u></b> Typically used for wall or corner mounts looking down. Useful for general intrusion.</p> <p><b><u>Top Down View:</u></b> Typically used for vertical ceiling mounts. Primarily used for line crossing or directional movement.</p> <p><b><u>Horizontal View:</u></b> Typically used for horizontal wall mounts at a lower height. It is not recommended for</p>

		<p>most situations since objects can be hidden from view.</p>
	<p>Sensitivity</p>	<p>Specify the desired trade-off between true detections and false alarms to minimize the effects from the background motions.</p> <ul style="list-style-type: none"> <li>• For night/low contrast scenes the sensitivity should be increased to 90-95.</li> <li>• For bright/noisy/sharp videos it should be lowered to 60-75.</li> <li>• To minimize the effects of noise, Sensitivity can be reduced so that only more prominent objects will be detected and trigger events.</li> </ul>
	<p>Display Bounding Boxes</p>	<p>If checked, the video on the Web UI will display a bounding box around a valid object.</p> <p><i>Note: The bounding box will not overlay on the video. It is displayed on the camera web UI only.</i></p>
	<p>Trigger Video Analytic Event</p>	<p>If enabled, Video Analytic Events will be treated as motion data.</p> <p>If “Block Standard Motion Detection Data” is enabled, the client (VMS) will only receive the Analytic events as motion detection events.</p>
<p><b>Line Crossing Settings</b></p> <p>*Left click and drag to set a line.</p> <p>Object Type:</p> <p><input type="radio"/> Person</p> <p><input type="radio"/> Vehicle</p> <p><input checked="" type="radio"/> All Objects</p> <p><input checked="" type="checkbox"/> Crossing Detection</p> <p><input type="radio"/> A → B</p> <p><input type="radio"/> B → A</p> <p><input checked="" type="radio"/> A ↔ B</p> <p><input type="button" value="Apply"/></p>	<p>Object Type</p> <ul style="list-style-type: none"> <li>• Person</li> <li>• Vehicle</li> <li>• All Objects</li> </ul> <p>Crossing Detection</p> <ul style="list-style-type: none"> <li>• A → B</li> <li>• A ← B</li> <li>• A ↔ B</li> </ul>	<ol style="list-style-type: none"> <li>1. Left click and drags a line on the live video.</li> <li>2. Select a desired object type to trigger events. The options are <b>Person</b>, <b>Vehicle</b> and <b>All Objects</b>. <b>* Note: Optional Advanced License is required for: Person/Vehicle Counting Object Left/Removed</b></li> <li>3. Select a desired crossing direction to trigger events. The options are <b>A → B</b>, <b>A ← B</b>, <b>A ↔ B</b>.</li> <li>4. Click “Apply”. FF</li> </ol>

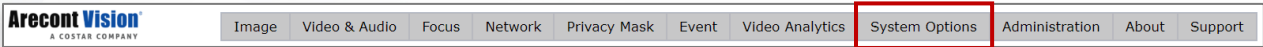
<p><b>Loitering Settings</b> *Left click and drag to set a specified area *Right click and drag to erase a specified area. Minimum Loitering Time(Sec): <input type="text" value="5"/> <input type="button" value="Apply"/></p>	<p>Minimum Loitering Time (Sec)</p>	<ol style="list-style-type: none"> <li>1. Left click and drag to draw a virtual area.</li> <li>2. Right click and drag to erase a virtual area.</li> <li>3. Specify the amount of time an object must be in the area to trigger the event.</li> <li>4. Click "Apply"</li> </ol>
<p><b>Camera Tamper Settings</b> <input type="checkbox"/> Triggered by Light Changes Sensitivity: <input type="text" value="60"/>  <input type="button" value="Apply"/></p>	<p>Triggered by Light Changes</p>	<p>If enabled, lights turning on/off will be treated as a tamper event.</p>
<p><b>Intrusion Detection Settings</b> *Left click and drag to set a specified area *Right click and drag to erase a specified area. Object Type: <input type="radio"/> Person <input type="radio"/> Vehicle <input checked="" type="radio"/> All Objects <input type="button" value="Apply"/></p>	<p>Object Type</p> <ul style="list-style-type: none"> <li>• Person</li> <li>• Vehicle</li> <li>• All Objects</li> </ul>	<ol style="list-style-type: none"> <li>1. Left click and drag to draw a virtual area.</li> <li>2. Right click and drag to erase a virtual area.</li> <li>3. Select the object type that will trigger the analytic. <i>*Optional Advanced License is required for: Person/Vehicle Counting Object Left/Removed</i></li> <li>4. Click "Apply"</li> </ol>
<p><b>Person/Vehicle Counting Settings</b> *Left click and drag to set a line. *Count incoming and outgoing objects that cross a specified line. Object Type: <input type="radio"/> Person <input type="radio"/> Vehicle <input checked="" type="radio"/> All Objects Event Count: A -&gt; B: 0 B -&gt; A: 0 <input type="checkbox"/> Trigger event if count is greater than: A -&gt; B: <input type="text" value="0"/> B -&gt; A: <input type="text" value="0"/> <input checked="" type="checkbox"/> Reset Event Count <input type="radio"/> Every Day <input type="radio"/> Every Week <input checked="" type="radio"/> Every Month <input type="text" value="1"/> day <input type="text" value="Monday"/> <input type="text" value="0"/> hour <input type="text" value="0"/> min <input type="button" value="Reset Event Count"/> <input type="button" value="Apply"/></p>	<p>Object Type</p> <ul style="list-style-type: none"> <li>• Person</li> <li>• Vehicle</li> <li>• All Objects</li> </ul> <p>Event Count</p> <ul style="list-style-type: none"> <li>• A → B</li> <li>• B → A</li> </ul> <p>Trigger event if count is greater than:</p> <ul style="list-style-type: none"> <li>• A → B</li> <li>• B → A</li> </ul> <p>Reset Event Count</p> <ul style="list-style-type: none"> <li>• Every Day</li> <li>• Every Week</li> <li>• Every Month</li> </ul>	<ol style="list-style-type: none"> <li>1. Left click and drag to draw a virtual area.</li> <li>2. Select the object type that will trigger the analytic.</li> <li>3. Enable Trigger Event if count is greater than: to send a trigger when a count has reached a specific threshold.</li> <li>4. Enable Reset Event Count to reset the counters on a specific day, week or month.</li> <li>5. Click Reset Event Count to manually clear the counters.</li> <li>6. Click "Apply"</li> </ol> <p>Note: Optional Advanced License required for this feature.</p>



<p><b>Object Left/Removed Settings</b></p> <p>*Left click and drag to set a specified area *Right click and drag to erase a specified area.</p> <p><input type="checkbox"/> Enable Object Left</p> <p><input type="checkbox"/> Enable Object Removed</p> <p><input type="button" value="Apply"/></p> <p><b>Object Calibration</b> ▾</p> <p><input type="checkbox"/> Stop Live Video</p> <p><b>Object Type:</b></p> <p><input type="checkbox"/> Enable Object Size Setting</p> <p><input type="radio"/> Person</p> <p style="padding-left: 20px;"><input type="radio"/> Minimum    <input type="radio"/> Maximum</p> <p><input type="radio"/> Vehicle</p> <p style="padding-left: 20px;"><input type="radio"/> Minimum    <input type="radio"/> Maximum</p> <p><input type="radio"/> All Objects</p> <p style="padding-left: 20px;"><input type="radio"/> Minimum    <input type="radio"/> Maximum</p> <p>*Left click and drag to set an object size.</p> <p><input type="button" value="Apply"/></p> <table border="1"> <thead> <tr> <th>Type</th> <th>Width Min (%)</th> <th>Height Min (%)</th> <th>Width Max (%)</th> <th>Height Max (%)</th> </tr> </thead> <tbody> <tr> <td>Person</td> <td>5</td> <td>5</td> <td>85</td> <td>85</td> </tr> <tr> <td>Vehicle</td> <td>5</td> <td>5</td> <td>85</td> <td>85</td> </tr> <tr> <td>All</td> <td>5</td> <td>5</td> <td>85</td> <td>85</td> </tr> </tbody> </table>	Type	Width Min (%)	Height Min (%)	Width Max (%)	Height Max (%)	Person	5	5	85	85	Vehicle	5	5	85	85	All	5	5	85	85	<ul style="list-style-type: none"> <li>Type Enable Object Left</li> <li>Type Enable Object Removed</li> </ul> <p>Stop Live Video</p> <p>Enable Object Size Setting</p> <ul style="list-style-type: none"> <li>Person</li> <li>Vehicle</li> <li>All Objects</li> </ul>	<ol style="list-style-type: none"> <li>Left click and drag to draw a virtual area.</li> <li>Right click and drag to erase a virtual area.</li> <li>Selects <b>Enable Object Left</b> or/and <b>Enable Object Removed</b>.</li> <li>Click “Apply”</li> </ol> <p>Click Stop Live video to perform object calibration.</p> <p><b>Enable Object Size Setting</b> to start Object Calibration.</p> <ol style="list-style-type: none"> <li>Select Minimum to specify the minimum object size of the target.</li> <li>Left click and drag to set the object size.</li> <li>Select Maximum to specify the maximum object size of the target.</li> <li>Left click and drag to set the object size.</li> <li>Click “Apply”</li> </ol> <p><i>Note: It is suggested to set the minimum object size to half the width and height of the average object, and set the maximum object size to about 130% the width and height of the average object.</i></p>
Type	Width Min (%)	Height Min (%)	Width Max (%)	Height Max (%)																		
Person	5	5	85	85																		
Vehicle	5	5	85	85																		
All	5	5	85	85																		
<p><b>Event List</b></p> <p><input type="checkbox"/> Stop Refreshing Event List</p> <p><b>Display Event Types</b></p> <p><input checked="" type="checkbox"/> Line Crossing</p> <p><input checked="" type="checkbox"/> Loitering</p> <p><input checked="" type="checkbox"/> Camera Tamper</p> <p><input checked="" type="checkbox"/> Intrusion Detection</p> <p><input checked="" type="checkbox"/> Person/Vehicle Counting</p> <p><input checked="" type="checkbox"/> Object Left/Removed</p> <p><b>Date Time</b></p> <p>2018 / 1 / 1 0 : 0 : 0</p> <p>~2019 / 8 / 19 14 : 4 : 30</p> <p><input type="button" value="Display"/> <input type="button" value="Reset Event List"/></p>	<p>Stop Refreshing Event List</p> <ul style="list-style-type: none"> <li>Display Event Types</li> <li>Date Time</li> </ul> <p>Reset Event List</p>	<p>Click Stop Refreshing Event list to pause new events from being displayed.</p> <ol style="list-style-type: none"> <li>Select <b>Display Event Types</b>. The options are <b>Line Crossing, Loitering, Camera Tamper, Intrusion Detection, Person/Vehicle Counting*, Object Left/Removed*</b>.</li> <li>Specify a start time and end time for events you want to search for.</li> <li>Click “Display”</li> </ol> <p>Click <b>Reset Event List</b> button to reset the current event list.</p> <p>Note: Optional Advanced License required for this feature.</p>																				
<p><b>License</b> ▾</p> <p>Current License Version: advanced</p> <p>Update License: <input type="text"/></p> <p><input type="button" value="Apply"/></p>	<p>Current License Version</p> <p>Update License</p>	<p><b>Current License Version</b> shows the license level: Standard or Advanced.</p> <p>Enter a license key then click Apply.</p> <p><b>Note: If you would like to upgrade to Advanced License, please contact Technical Assistance</b></p>																				

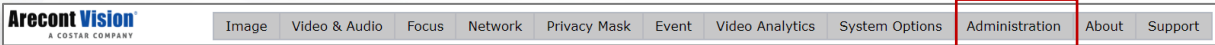
		<p><b>Center (TAC). Call at +1.818.937.0700 and select option #1.</b></p> <p><i>Note: Cameras with Advanced License cannot be downgraded to Standard License.</i></p>
--	--	---

## System Options



Menu	Feature	Description
<p><b>System Options</b></p> <hr/> <p><b>Firmware Upgrade</b> Please select a file to update: File Name : <input type="button" value="Choose File"/> No file chosen <input type="button" value="Upgrade"/></p> <p><b>Download Log</b> <input type="button" value="Download"/></p> <p><b>Reboot &amp; Restore Settings</b> <input type="button" value="Reboot the Camera"/> <input type="button" value="Restore to Factory Default Settings Except Network Settings"/> <input type="button" value="Restore to Factory Default Settings"/></p> <p><b>Camera Name</b> <input type="text" value="AV5426PMIR-S-3F"/> <input type="button" value="save"/></p>	Firmware Upgrade	Click <b>Browse</b> to choose the firmware upgrade file, and then click <b>Upgrade</b> .
	Download Log	Records all the status information of the camera in list format. Downloads the log file to the computer as a text file.  <i>Note: The log file is protected by a password. Please contact with Arecont Vision technical support team.</i>
	Reboot & Restore Settings	<p><b>Reboot the Camera:</b> Reboots the camera.</p> <p><b>Restore Factory Default Settings Except Network Settings:</b> Restores all settings to factory default except the network settings.</p> <p><b>Restore to Factory Default Settings:</b> Restores all settings to factory default.</p>
	Camera Name	Type in the camera name.
<p><b>Date/Time</b></p> <p>Get Time from: <input type="radio"/> NTP Server <input checked="" type="radio"/> Computer System</p> <p>Time Zone: <input type="text" value="America"/> <input type="text" value="Los_Angeles"/></p> <p>NTP Server: <input type="text" value="0.north-america.pool.ntp"/></p> <p><input type="button" value="Apply NTP Server Configuration"/> <input type="button" value="Update Time from the Computer"/></p> <p><small>* Select NTP Server option to synchronize time with the NTP server and enter server configuration. * Select Computer System option to synchronize time with the computer system via camera web page. * Set up appropriate gateway before configuring the NTP server.</small></p>	Get Time from	<p><b>NTP Server:</b> Synchronizes the date/time information with defined NTP server. After setting up the desired <b>Time zone</b> and <b>NTP Server</b>, click <b>Apply NTP Server Configuration</b>.</p> <p><i>Note: Please make sure set up appropriate gateway before configuring the NTP server.</i></p> <p><b>Computer System:</b> Synchronizes the date/time information with current computer's date/time. Once this option selected, click Update Time from the computer.</p>
	Time Zone	Specifies the country/ city of the time zone from the drop-down menu.
	NTP Server	Specifies the desired NTP server

**Administration**



Menu	Feature	Description
<p><b>Administration</b></p> <hr/> <p><b>Access Control</b> (Passwords can be up to 16 letters, digits and symbols, excluding following symbols for passwords without encoding # % &amp; ' " &lt; &gt; / [ ] { } _ ( ) = . + , .)</p> <p><b>Administrator</b> Username : admin Admin Password : <input type="text"/> Confirmation : <input type="text"/> <input type="button" value="Set"/></p> <p><b>Viewer Management</b> User List: <input type="text"/> <input type="button" value="New User"/> <input type="button" value="Delete User"/></p> <p><b>User Information</b> User Name: <input type="text"/> Viewer Password : <input type="text"/> Confirmation : <input type="text"/> Access Level : <input type="radio"/> Admin <input type="radio"/> Viewer <input type="button" value="Set"/></p>	<p>Access Control</p>	<p>Passwords can be up to 16 letters, digits and symbols, excluding following symbols for passwords without encoding # % &amp; ' " &lt; &gt; / [ ] { } _ ( ) = . + , .</p>
	<p>Administrator</p> <ul style="list-style-type: none"> <li>• Username</li> <li>• Admin Password</li> <li>• Confirmation</li> <li>• Set/ Erase</li> </ul>	<p><b>Username:</b> The username of Administrator is admin and cannot be changed.</p> <p><b>Admin:</b> full access to all camera settings and live video.</p> <p><b>Admin Password:</b> Specifies the password for the administrator.</p> <p><b>Confirmation:</b> Re-enters the password for the password validation.</p> <p><b>Set/ Erase:</b> Saves or removes the password.</p> <p><i>Note: If admin password was set but has been lost, it can be erased by AV IP Utility using the key file. Please contact Arecont Vision technical support to obtain the key file required to perform this function. Or, if the camera has a reset button, you can also reset to Factory default to reset the password.</i></p>
	<p>Viewer Management</p> <ul style="list-style-type: none"> <li>• User List</li> <li>• User Name</li> <li>• Viewer Password</li> <li>• Confirmation</li> <li>• Access Level</li> <li>• Set / Erase</li> </ul>	<p><b>User List:</b> Displays current user accounts created on the camera. Click <b>New User/ Delete User</b> to create or remove a user account.</p> <p><b>User Name:</b> Specifies the user name. It must be at least five and up to sixteen characters.</p> <p><b>Viewer Password:</b> Specifies the password for the viewer.</p> <p><b>Confirmation:</b> Re-enters the password for the password validation.</p> <p><b>Access Level:</b> Defines the authorization level for the user: <b>Admin</b> or <b>Viewer</b>.</p> <p><b>Set/ Erase:</b> Save or removes the password.</p>

About

<b>Arecont Vision</b> A COSTAR COMPANY	Image	Video & Audio	Focus	Network	Privacy Mask	Event	Video Analytics	System Options	Administration	<b>About</b>	Support
---	-------	---------------	-------	---------	--------------	-------	-----------------	----------------	----------------	--------------	---------

Menu	Feature	Description
<p><b>About</b></p> <hr/> <p>Model Name : AV5426PMIR-S                      Firmware : 71500.8                      Serial Number : 190302636                      MAC Address : 00-1a-07-18-e9-3f</p>	About	Displays the information of the camera: Model Name, Firmware, Serial Number, and MAC Address.

Support

<b>Arecont Vision</b> A COSTAR COMPANY	Image	Video & Audio	Focus	Network	Privacy Mask	Event	Video Analytics	System Options	Administration	About	<b>Support</b>
---	-------	---------------	-------	---------	--------------	-------	-----------------	----------------	----------------	-------	----------------

Menu	Feature	Description
<p><b>Support</b></p> <ul style="list-style-type: none"> <li>• <a href="#">Resources</a></li> <li>• <a href="#">Online Support Request</a></li> <li>• <a href="#">Firmware Downloads</a></li> <li>• <a href="#">Software Downloads</a></li> <li>• <a href="#">Technical Updates</a></li> <li>• <a href="#">Product Selector</a></li> <li>• <a href="#">Downloads</a></li> </ul>	Support	Provides several useful hyperlinks for users who would like to get more information of the camera.

# **Arecont Vision<sup>®</sup>**

**A COSTAR COMPANY**

© 2019 Arecont Vision Costar

All rights reserved. No part of this publication may be reproduced by any means without written permission from Arecont Vision Costar.

The information in this publication is believed to be accurate in all respects. However, Arecont Vision Costar cannot assume responsibility for any consequences resulting from the use thereof.

The information contained herein is subject to change without notice. Revisions or new editions to this publication may be issued to incorporate such changes.

+1.818.937.0700 | [www.arecontvision.com](http://www.arecontvision.com) | [avsales@arecontvision.com](mailto:avsales@arecontvision.com)

Rev 001.001

⊕ Get AV IP Utility, installation manuals,  
and more information on our product at  
the Arecont Vision website. ⊕



<http://www.arecontvision.com/downloads.php>

**Arecont Vision**<sup>®</sup>  
A COSTAR COMPANY

+1.818.937.0700 | [www.arecontvision.com](http://www.arecontvision.com)

⊕ 400 N. Brand Boulevard, Suite 860, Glendale, California, 91203 USA ⊕

115mm

115mm