

ConteralP® Omni LX Remote Setup Megapixel Camera

8 or 20 Megapixel (MP) H.265/H.264 All-in-One Remote Setup Omni-Directional Remote-Configurable Multi-Sensor True Day/Night Indoor/Outdoor Dome IP Cameras with SNAPstream+™ (Smart Noise Adaptation and Processing), WDR™ (Wide Dynamic Range), and NightView™

H.265



The ConteralP® Omni LX Remote Setup (RS) is an industry-game-changing first-of-its-kind omni-directional, remote-configurable, multi-sensor, multi-megapixel camera built to provide outstanding high resolution video coverage for a wide range of applications. The unmatched coverage and capabilities of the ConteralP® Omni LX RS provides organizations of all sizes the flexibility to deploy a surveillance camera system that truly matches their current and future requirements for complete situational awareness.

ConteralP® Omni LX RS is available with a choice of 8- or 20-megapixel (MP) resolutions. The number of cameras required for a project can be dramatically reduced with a single ConteralP® Omni LX RS, thanks to its four customizable remote sensor gimbals. Installation is fast and easy. Install the hinged mounting plate, connect the PoE+ (Power-over-Ethernet) IP cable, and then remotely configure the camera. Select a preset choice for 180°, 270°, or 360° views, or use the intuitive interface to remotely pan, tilt, zoom, and focus each sensor. Two custom presets created by the user can be saved to memory. The camera is integrated with the industry's leading VMS/NVR platforms.

ConteralP® Omni LX RS is ideal for applications with normal to challenging lighting conditions. The Omni combines a day/night mechanical IR cut filter for the highest image quality at any time of day. For clear color images in low-light, NightView™

offers strong low-light sensitivity for capturing details in extremely poor-lit scenes. Power can be supplied via a single PoE+ (802.3at) compliant network cable or via an 12–48V DC/24V AC power supply.

ConteralP® Omni LX RS is designed for demanding environments. Certified to rigorous dust and water tests, the camera carries an IP66 rating. The rugged dome housing is IK-10 rated to withstand the equivalent of 55 kg (120 lbs) of force for vandal-prone applications.

Arecont Vision® was the first to bring H.264 to the mainstream market and recently developed SNAPstream™ (Smart Noise Adaptation and Processing) technology for reducing bandwidth without impacting image quality. Today we are proud to offer our next generation H.265 with SNAPstream+™ smart codec capable of delivering high quality video while saving over 50% of the data rate to reduce or prevent strain on the network.

The ConteralP Omni LX RS is ONVIF (Open Network Video Interface Forum) Profile S, G, Q and T compliant, providing interoperability between network video products regardless of manufacturer.



Remote Setup



SNAPstream+™ Technology



Omni-Directional Track with 4 Customizable Sensors



Presets 180°/270°/360°



Custom Presets



Motorized Pan & Tilt Capable



Wide Dynamic Range



True Day/Night with IR Cut Filter



NightView™



Impact / Weather Resistant IK-10 and IP66 Rated



Tri-Encoder H.265/H.264/MJPEG

Series Features

- 8MP and 20MP Models
- No Touch Setup: 4 Individual Camera Gimbals Each with a Varifocal Motorized Lens That Can be Remotely Setup in Any Position Around a 360° Track
- Preset Positions to Create a 360°, 270°, or 180° Field of View, or Save Custom Presets
- SNAPstream+™ Advanced Compression Algorithm Reduces Bandwidth without Impacting Image Quality
- NightView™ for Strong Low Light Performance
- True Day/Night Functionality with Mechanical IR Cut Filter
- On-Screen Display (OSD)
- WDR at Full Resolution: See Clearly in Shaded and Bright Light Conditions Simultaneously
- Privacy Mask, Motion Detection, Bit Rate Control, Multi-Streaming, and Multicasting
- Triple Encoder: H.265/H.264/MJPEG
- Network Protocols Include SNMP, HTTPS, IPv6, DHCP, 802.1x, and More
- All-in-One H.265/H.264 Total PoE+ Solution PoE+ and Auxiliary Power: 12V-48V DC/24V AC
- MicroSDXC Card Slot for Onboard Storage
- Outdoor Rated IP66 and IK-10 Impact-Resistant Housing

Camera Imaging Specifications

Model		AV8476RS		AV20476RS	
Image Sensor (CMOS)		8MP (1080p x 4) CMOS Progressive Sensor		20MP (5MP x 4) CMOS Progressive Sensor	
Optical Format		1/2.8"		1/2.8"	
Pixel Pitch		2.0µm		2.0µm	
Minimum Illumination	Color (Day Mode)	0.04 Lux		0.15 Lux	
	B/W (Night Mode)	0.04 Lux		0.15 Lux	
Full FOV Resolution		Total	7680 H x 1080 V	Total	10368 H x 1944 V
		Per Sensor	1920 H x 1080 V	Per Sensor	2592 H x 1944 V
Dynamic Range		Up to 100dB*		Up to 100dB*	
Frame Rates**	At Max Resolution	30fps (8MP)		15fps (20MP)	
	Multi-Stream	Up to 30fps (8MP) + 20fps (8MP)		Up to 15fps (20MP) + 5fps (20MP)	
		Up to 30fps (8MP) + 20fps (8MP) + 30fps (3.7MP)		Up to 15fps (20MP) + 5fps (20MP) + 15fps (4.9MP) Up to 15fps (12MP) + 15fps (12MP) + 15fps (1.2MP)	
Lens (x4)		3.3–6.6mm, F1.7, H-FOV = 52°–99°		3.3–6.6mm, F1.7, H-FOV = 50°–97°	

Programmability

Optics	Remote focus / zoom	
Low-Light Performance	NightView™ technology	
Programmable Shutter Speed	Auto/manual 0.1ms ~ 500ms	
Motion Detection	Real-time, 1024 detection zones	
Privacy Masking	Unlimited	
Backlight Compensation	Auto	
White Balance Mode	Auto/manual	
Gain Control	Auto	
Flicker Control	5Hz–255Hz adjustable	
Scaling <small>(Per Sensor)</small>	8MP	1920x1080, 1280x960, 1280x720, 960x540, 800x600, 640x480, 640x360
	20MP	2592x1944, 2560x1440, 2304x1296, 2048x1536, 1920x1080, 1600x1200, 1296x972, 1280x960, 1280x720, 800x600, 640x480
Wide Dynamic Range	Adjustment between WDR and LDR modes	
Efficiency	SNAPstream+™ (Smart Noise Adaptation and Processing)	
	Bit rate and bandwidth limitation control	
Miscellaneous	Programmable brightness, contrast, sharpness, saturation, hue	
	Electronic pan, tilt, zoom (PTZ)	
Password	16-digit ASCII character password	
On-Screen Display (OSD)	Time/date/camera name/custom text	

Data Transmission

Compression Type	H.265/H.264 (MPEG-4, Part 10)/Motion JPEG
	21 levels of quality
Bit Rate Control	64K–8000K
Smart Codec	Smart GOP/Smart ROI
Network Protocols	SNMP, HTTP, HTTPS, IPv6, IPv4, SSL, TCP/IP, UPnP, UDR, RTCP, RTSP, RTP, SMTP, NTP, DHCP, FTP, 802.1x, Zero Configuration
Network Interface	10/100/1000Mbps Ethernet, RJ45
Max Camera Bandwidth	40Mbps (10Mbps per sensor)
Multi-Streaming	2 x H.265/H.264 stream, 1 x M-JPEG stream (per sensor)
Users	Live Viewing/Administrator for up to 10 clients

Event Management

Event Trigger	Motion detection, tampering detection, alarm in
Notifications	Send/record message via e-mail/FTP/NAS, record JPG/mp4

Compliance

Industry Standard	ONVIF Profile S, G, Q, T conformant
FCC Compliance	47 CFR 15 Class A
Environmental	RoHS, REACH, WEEE
Markings	CE: EN55032 Class A, EN55024, EN61000-3-2, EN61000-3-3, EN60950
Mechanical	IK-10 (EN62262), IP66 (EN60529)

Environmental

Operating Temperature	-40°C (-40°F) to +50°C (122°F)
Humidity	0% to 90% (non-condensing)
Storage Temperature	-40°C (-40°F) to +60°C (140°F)

Electrical

Alarm Input/Output	1 input (wet contact)/1 output (wet contact)
Power Over Ethernet	IEEE 802.3at (PoE+)
Auxiliary Power	12-48V DC, 24V AC
Power Consumption	23W max

Audio Electrical

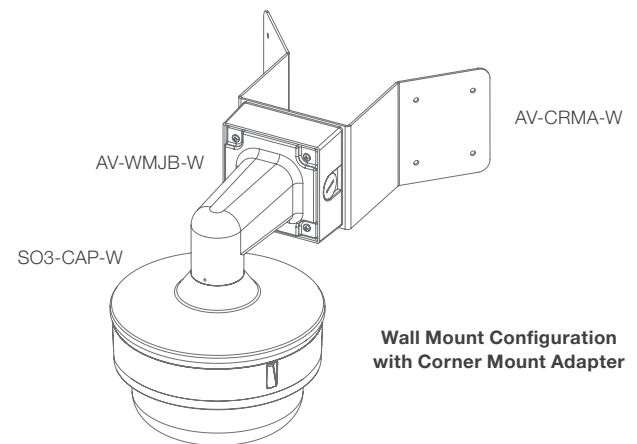
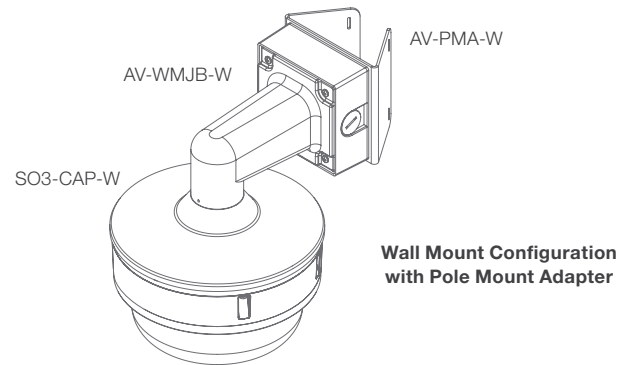
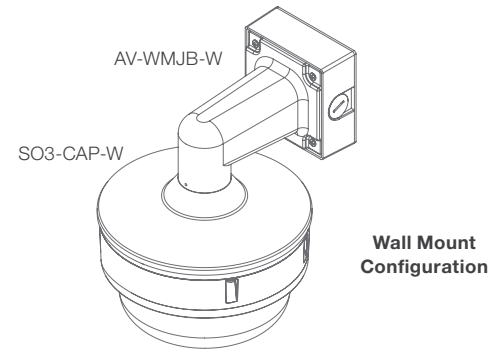
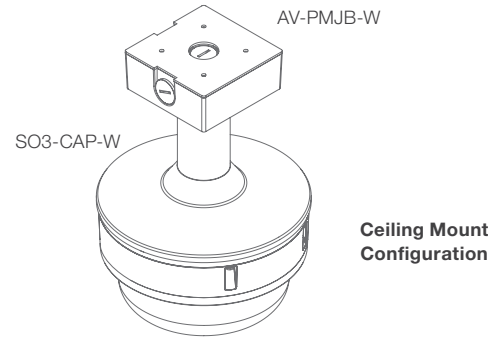
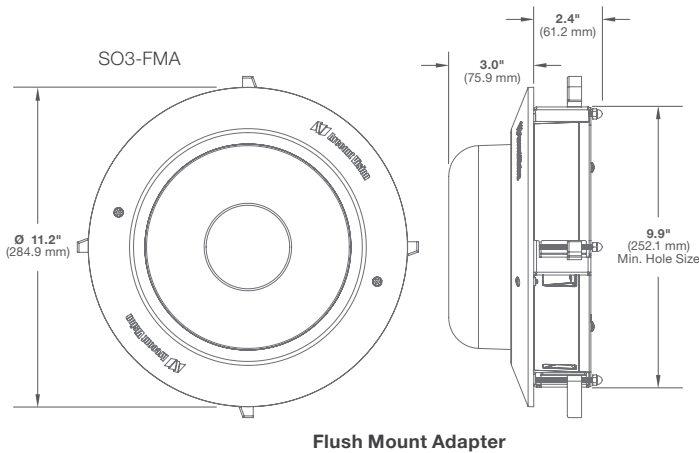
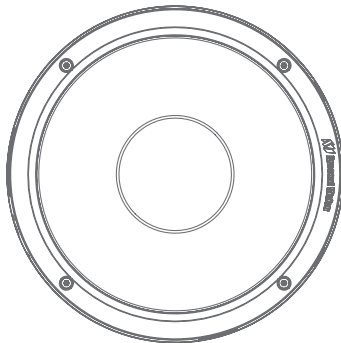
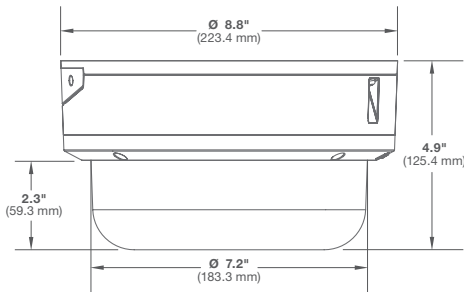
Streaming	Two-way
Compression	G.711 PCM 8 kHz
Input/Output	Line in*** / Line output

* Maximum with digital WDR
 ** Maximum with H.264 compression
 *** Requires Amplification

Mechanical

Casing	Die-cast aluminum chassis with polycarbonate dome bubble	
	IP66 weather proof standard	
	Impact resistant, IK-10 rated	
Gimbal	Remotely adjustable, 3-axis w/360° pan, 135° tilt	
Dimensions <i>(See Dimensions)</i>	Unit	Ø 8.8" (223.4mm) x 4.9" H (125.4mm)
	Bubble Only	Ø 7.2" (183.3mm) x 2.3" H (59.3mm)
	Packaged	11.1" W (281mm) x 11.1" L (281mm) x 7.4" H (188mm)
Weight	Unit	5.2lbs (2.36kg)
	Packaged	5.9lbs (2.68kg)
On Board Storage	MicroSDXC slot up to 256GB (card not included)	
Body Color	Arecont Vision® White (Pantone® Cool Gray 1C)	

Dimensions



See Next Page for Ordering Information

ConteraIP® Omni LX Remote Setup Megapixel Cameras Ordering Information



Configurations



Omni Remote Setup

Model Numbers

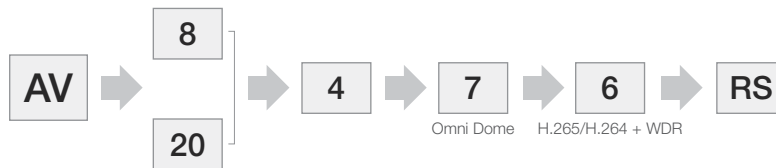
8MP	AV8476RS	WDR
20MP	AV20476RS	WDR

Accessories (Sold Separately)

AV-1AK	ConteraIP® Optional Audio Kit
AV-CRMA-W	Corner Mount Adapter (Arecont Vision® White)
AV-JBA-W	Standard Junction Box (Arecont Vision® White)
AV-PMA-W	Pole Mount Adapter (Arecont Vision® White)
AV-PMJB-W	Pendant Mount Bracket with Standard Junction Box (Arecont Vision® White) (Fits Cap 1.5" NPT, Box Fits 3/4" NPT)
AV-WMJB-W	Wall Mount Bracket with Standard Junction Box (Arecont Vision® White) (Fits Cap 1.5" NPT, Box Fits 3/4" NPT)
SO3-CAP-W	Cap for ConteraIP® Omni LX RS (Arecont Vision® White)
SO3-FMA	Flush Mount Adapter for ConteraIP® Omni LX RS (Arecont Vision® White)

Create Your Model (Example: AV20476RS)

Megapixel Resolution Generation Body Type Compression Remote Setup



Arecont Vision
A COSTAR COMPANY

+1.818.937.0700 | www.arecontvision.com | avsales@arecontvision.com

© 2020 Arecont Vision Costar, LLC. All rights reserved. Arecont Vision, the Arecont Vision logo, Contera and ConteraIP are registered trademarks of the company.

Rev 001.005

