

Contera® Bullet IP Megapixel Camera

1080p or 5 Megapixel (MP) H.265/H.264 All-in-One Motorized P-Iris Lens True Day/Night Indoor/Outdoor Bullet-Style IP Camera with SNAPstream+™ (Smart Noise Adaptation and Processing), Enhanced WDR™ (Wide Dynamic Range), NightView™, and Smart IR



The Contera® Bullet outdoor-ready megapixel camera features 1080p and 5-megapixel (MP) resolution for optimum performance. The Contera Bullet combines a day/night mechanical IR cut filter with an integrated motorized 2.7–12mm varifocal remote focus and zoom precision iris (P-iris) lens.

Regardless of the time of day, the Contera Bullet is prepared for any lighting condition. For applications with poor lighting conditions, Enhanced WDR™ (wide dynamic range) at 120dB provides the best visual balance to shaded and bright light conditions.

For clear color images in low-light, NightView™ offers strong low-light sensitivity for capturing details in extremely poor-lit scenes, and is further enhanced by built-in Smart IR LED illumination that automatically adjusts output in response to the distance of an object in view to prevent over-exposure when the object is very close to the camera.

Arecont Vision was the first to bring H.264 to the mainstream market and recently developed SNAPstream™ (Smart Noise Adaptation and Processing)

technology for reducing bandwidth without impacting image quality. Today we are proud to offer our next generation H.265 with SNAPstream+™ smart codec capable of delivering high quality video while saving over 50% of the data rate to reduce or prevent strain on the network.

The SD card slot supports up to 256GB of storage capacity for convenient onboard storage. The camera's power can be supplied via a Power-over-Ethernet (PoE - IEEE 802.3af) compliant network cable connection. The Contera Bullet is IP66 rated for both indoor and outdoor applications. All models feature an impact resistant cast-aluminum housing capable of withstanding the equivalent of 55 kg (120 lbs) of force.

The Contera Bullet is ONVIF (Open Network Video Interface Forum) Profile S and G compliant, providing interoperability between network video products regardless of manufacturer.



Series Features

- 1080p (2.1-Megapixel) or 5MP Resolution
- 2.7–12mm Integrated Lens
- SNAPstream+™ Capability to Reduce Bandwidth without Impacting Image Quality
- NightView™ for Strong Low Light Performance
- True Day/Night Functionality with Mechanical IR Cut Filter
- Enhanced WDR up to 120dB at Full Resolution: See Clearly in Shaded and Bright Light Conditions Simultaneously
- CorridorView™ Allows 90° Image Rotation for Better Coverage in Hallways and Corridors
- Privacy Mask, Motion Detection, Bit Rate Control, Multi-Streaming, Multicasting, Forensic Zooming, and Scaling
- On-Screen Display (OSD)
- Defog Technology
- Triple Encoder: H.265/H.264/MJPEG
- Network Protocols Include SNMP, IPv6, HTTPS, DHCP, 802.1x, and More
- All-in-One H.265/H.264 PoE Solution
- Smart IR Illumination with Variable Illumination Ensures that IR Light is Evenly Disbursed up to 100ft (30m) for Scenes with Low or No Ambient Light
- Audio Out
- SDHC Card Slot for Onboard Storage
- Outdoor Rated IP66 and IK-10 Impact-Resistant Housing
- Easily Adjustable 3-Axis Wall Mount

Camera Imaging Specifications

Model		AV02CLB-100	AV05CLB-100
Image Sensor		1080p (2.1MP) CMOS Progressive Sensor	5MP CMOS Progressive Sensor
Optical Format		1/2.8"	1/2.9"
Minimum Illumination	Color (Day Mode)	0.05 Lux	0.1 Lux
	B/W (Night Mode)	0.005 Lux	0.01 Lux
Full FOV Resolution		1920 H x 1080 V	2592 H x 1944 V
Scaling (See Scaling Resolutions Below)		Yes	Yes
IR Illumination		Yes	Yes
Dynamic Range		120dB	120dB
Frame Rates*	Single Stream	Up to 30fps (1080p)	Up to 30fps (5MP)**
	Multi-Stream	Up to 30fps (1080p) + 20fps (1080p)	Up to 15fps (5MP)** + 10fps (5MP)**
		Up to 30fps (1080p) + 30fps (720p) + 30fps (VGA)	Up to 30fps (1080p)** + 30fps (720p)** + 30fps (VGA)**
Lens	Fixed Iris	2.7-12mm, F1.3, HFOV = 32°-108°, VFOV = 18°-57°, P-Iris	2.7-12mm, F1.3, HFOV = 24°-81°, VFOV = 18°-57°, P-Iris

* Maximum with H.264 and H.265 compression ** Max frames per second (FPS) with Enhanced WDR™ turned on will be up to 50% of listed FPS

Programmability

Optics	Remote focus/zoom, P-iris lens	
Low-Light Performance	NightView™ technology	
	Smart IR	
Programmable Shutter Speed	Auto/manual 0.1ms ~ 500ms	
Motion Detection	Real-time, 1024 detection zones	
Privacy Masking	Unlimited	
Backlight Compensation	Auto	
White Balance Mode	Auto/manual	
Gain Control	Auto	
Flicker Control	50/60Hz selectable	
Image Rotation	CorridorView™ (90°, 180° and 270° image rotation) + mirror	
Scaling	1080p	1920x1080, 1280x720, 960x540, 640x480, 640x360, 320x240
	5MP	2592x1944, 2048x1536, 1920x1080, 1296x972, 1280x720, 640x480, 640x360, 320x240
Wide Dynamic Range	Adjustment between WDR and LDR modes	
Efficiency	SNAPstream+™ (Smart Noise Adaptation and Processing)	
	Bit rate and bandwidth limitation control	
Defog	Supported	
Miscellaneous	Programmable brightness, contrast, sharpness, saturation, hue	
	Electronic pan, tilt, zoom (PTZ)	
Password	16-digit ASCII character password	
On-Screen Display (OSD)	Time/date/camera name/custom text	

Data Transmission

Compression Type	H.265/H.264 (MPEG-4, Part 10)/Motion JPEG
Bit Rate	64K-8000K
Smart Codec	Smart GOP / Smart ROI / Smart FPS
Transmission Protocols	SNMP, IPv6, IPv4, HTTP, HTTPS, SSL, TCP/IP, UPnP, UDR, RTCP, RTSP, RTP, SMTP, NTP, DHCP, FTP, 802.1x, Zero Configure
	10/100Base-T Ethernet network interface, RJ45
Multi-Streaming	2 x H.265/H.264 stream, 1 x M-JPEG stream
Users	Live viewing/Administrator for up to 10 clients

Event Management

Event Trigger	Motion detection, tampering detection, alarm in
Notifications	Send/record message via e-mail/FTP/NAS/SD card, record JPG/mp4

Compliance

Industry Standard	ONVIF Profile S, G conformant
Listings	UL (CB)
FCC Compliance	47 CFR 15 Class A
Environmental	RoHS, REACH, WEEE
Markings	(CE) EN55022 Class A, EN55024, EN61000-3-2, EN61000-3-3, EN60950
Mechanical	IP66 (EN60529), IK-10

Environmental

Operating Temperature	-20°C (-4°F) to +50°C (122°F)
Humidity	0% to 90% (non-condensing)
Storage Temperature	-20°C (-4°F) to +60°C (140°F)

General Electrical

Alarm Input/Output	General purpose opto-coupled, 1 input / 1 output	
Power Over Ethernet	PoE IEEE 802.3af, Class 3	
	Total PoE solution (No external power requirement)	
Auxiliary Power	12-48V DC, 24V AC	
Power Consumption	1080p	8.7 watts PoE max
	5MP	8.9 watts PoE max

IR Illuminator

LEDs	48pcs, Smart IR
Projection Distance	100ft (30m) max

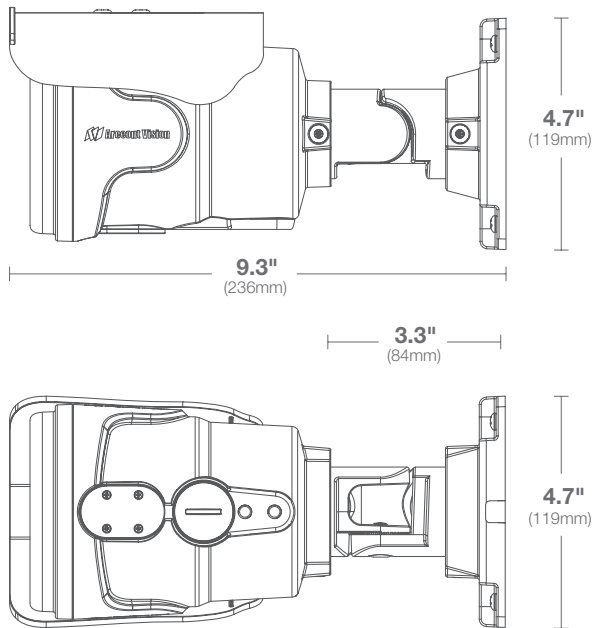
Audio Electrical

Streaming	Two-way
Compression	G.711 PCM 8 kHz
Input/Output	Line output

Mechanical

Casing	Die-cast aluminum cylindrical (bullet-style) housing	
	IP66 weather proof standard	
	Impact resistant, IK-10 rated	
Mount	Easily adjustable 3-axis with 360° pan, 90° tilt and 360° z-axis	
Dimensions <i>(See Dimensions)</i>	Unit	4.7" H (119mm) x 4.7" W (119mm) x 9.3" D (236mm)
	Packaged	5.6" H (142mm) x 5.6" W (142mm) x 11" L (280mm)
Weight	Unit	2.72lbs (1.23kg)
	Packaged	3.31lbs (1.5kg)
On Board Storage	SDHC slot up to 256GB (card not included)	
Body Color	White (Pantone P179-1C)	

Dimensions



See Next Page for Ordering Information

Ordering Information



Model Numbers

1080p	AV02CLB-100	WDR
5MP	AV05CLB-100	WDR

Accessories

AV-JBA-W	Standard Junction Box (White)
-----------------	-------------------------------

Configurations



Bullet

Create Your Model (Example: AV05CLB-100)

Megapixel Resolution Contera Product Line Body Type

