



# Contera<sup>®</sup> Outdoor Dome

## Installation Manual

1080p

AV02CLD-100

5MP

AV05CLD-100

**Arecont Vision<sup>®</sup>**  
A COSTAR COMPANY

# Table of Contents

About Our Warranty .....	3
Global (3 Year) Limited Warranty .....	3
Camera Overview .....	4
Package Contents.....	5
Installation .....	6
Surface Mount.....	10
Wall Mount .....	12
Pendant Mount .....	14
Pole Mount.....	16
Corner Mount.....	18
Electrical Box Adapter .....	20
SD Card .....	20
Adjusting the Pan, Tilt and Focus .....	21
Camera Power Up.....	23
Alarm I/O Functions.....	24
Audio Kit AV-1AK Installation Instructions.....	25
Reset to Factory Default .....	26
Camera Discovery, Setup, and Configuration .....	27
Camera Discovery .....	27
Web Interface Navigation .....	28
Zoom and Focus .....	30
Image .....	31
Video & Audio .....	36
Network .....	39
Privacy Mask.....	44
Event.....	45
System Options.....	50
Administration .....	51
About .....	53

## About Our Warranty

### Global (3 Year) Limited Warranty

ARECONT VISION warrants to Purchaser (and only Purchaser) (the “Limited Warranty”), that: (a) each Product shall be free from material defects in material and workmanship for a period of thirty-six (36) months from the date of shipment (the “Warranty Period”); (b) during the Warranty Period, the Products will materially conform with the specification in the applicable documentation; (c) all licensed programs accompanying the Product (the “Licensed Programs”) will materially conform with applicable specifications. ARECONT VISION warrants to Purchaser (and only Purchaser) (the “Limited Warranty”), that: (a) each Product shall be free from material defects in material and workmanship for a period of thirty-six (36) months from the date of shipment (the “Warranty Period”); (b) during the Warranty Period, the Products will materially conform with the specification in the applicable documentation; (c) all licensed programs accompanying the Product (the “Licensed Programs”) will materially conform with applicable specifications.

ARECONT VISION warrants to Purchaser (and only Purchaser) (the “Limited Warranty”), that: (a) each Product shall be free from material defects in material and workmanship for a period of thirty-six (36) months from the date of shipment (the “Warranty Period”); (b) during the Warranty Period, the Products will materially conform with the specification in the applicable documentation; (c) all licensed programs accompanying the Product (the “Licensed Programs”) will materially conform with applicable specifications. During the Warranty Period, the Products will materially conform with the specification in the applicable documentation; (c) all licensed programs accompanying the Product (the “Licensed Programs”) will materially conform with applicable specifications.

# Contera Outdoor Dome IP Megapixel Cameras

## Camera Overview

The Contera<sup>®</sup> Outdoor Dome megapixel camera features 1080p and 5-megapixel (MP) resolution for optimum performance. The Contera Outdoor Dome combines a day/night mechanical IR cut filter with an integrated motorized remote focus and zoom precision iris (P-iris) lens for excellent, optimal image quality.

Regardless of the time of day, the Contera Outdoor Dome is prepared for any lighting condition. For applications with poor lighting conditions, Enhanced WDR<sup>™</sup> (wide dynamic range) at 120dB provides the best visual balance to shaded and bright light conditions.

For clear color images in low-light, NightView<sup>™</sup> offers strong low-light sensitivity for capturing details in extremely poor-lit scenes. Built-in Smart IR LED illumination automatically adjusts output in response to the distance of an object in view to prevent over-exposure when the object is very close to the camera. Arecont Vision<sup>®</sup> was the first to bring H.264 to the mainstream market and recently developed SNAPstream<sup>™</sup> (Smart Noise Adaptation and Processing) technology for reducing bandwidth without impacting image quality. Today we are proud to offer our next generation H.265 with SNAPstream+<sup>™</sup> smart codec capable of delivering high quality video while saving over 50% of the data rate to reduce or prevent strain on the network.

The SD card slot supports up to 256GB of storage capacity for convenient onboard storage. The camera's power can be supplied via a Power-over-Ethernet (PoE - IEEE 802.3af) compliant network cable connection. The Contera Outdoor Dome is IP66 rated for both indoor and outdoor applications. All models feature an impact resistant cast-aluminum housing capable of withstanding the equivalent of 55 kg (120 lbs) of force.

The Contera Outdoor Dome is ONVIF (Open Network Video Interface Forum) Profile S and G compliant, providing interoperability between network video products regardless of manufacturer.



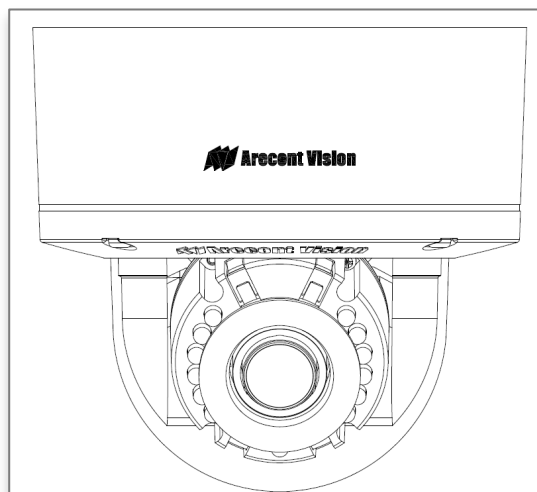
**CAUTION!**

1. Do not attempt to service a damaged unit yourself. Refer all servicing to qualified service personnel.
2. Wiring methods shall be in accordance with the National Electrical Code/NFPA 70/ANSI, and with all local codes and authorities having jurisdiction. Wiring should be UL Listed and/or Recognized wire suitable for the application.
3. Always use hardware e.g. screws, anchors, bolts, locking nuts etc. which are compatible with mounting surface and of sufficient length and construction to insure a secure mount.

## Package Contents

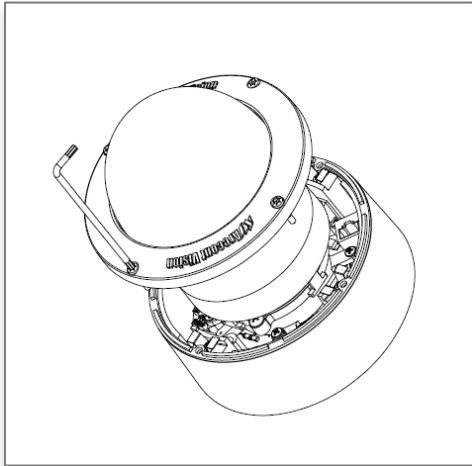
Description	QTY
AV02CLD-100/ AV05CLD-100 IP camera	1
Mounting Template	1
Accessory Pack	1

- AV02CLD-100/ AV05CLD-100



## Installation

1. Determine a secure location to mount the camera.
2. Use the supplied security L-key, to loosen the four (4) screws securing the dome cover.
3. Remove the dome cover and protective foam. Do not remove screws from the dome cover.



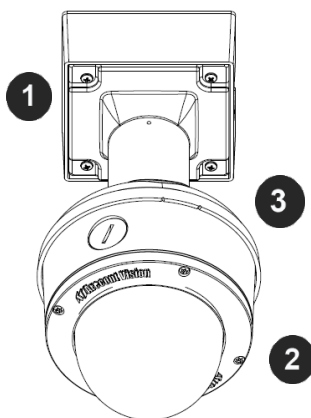
The Contera® Outdoor Dome camera has been designed to provide installers with flexible mounting options such as ceilings, walls, poles or corners.

*NOTE: When mounting the camera outdoors or in a wet environment, use of supplied grommet is recommended. Ensure the grommet properly seated flush with the camera housing.*

*NOTE: The camera is suggested to be covered by a minimum 5.6" (14cm) overhang eave.*

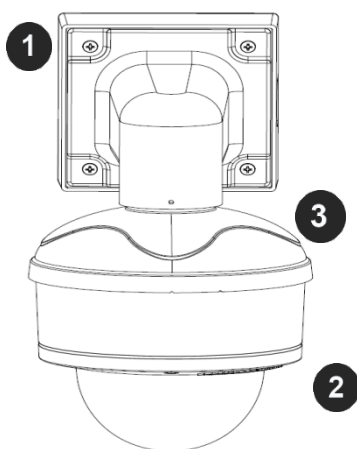
Ensure you have the proper compatible mounting parts prior to starting your installation:

Pendant mount



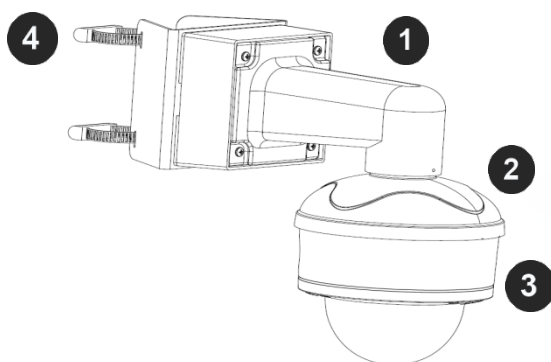
Reference #	Pendant Mount Components Required
1	Pendant mount (AV-PMJB) with integrated junction box
2	Contera® Outdoor Dome camera
3	MD-CAP-W mounting cap

Wall mount



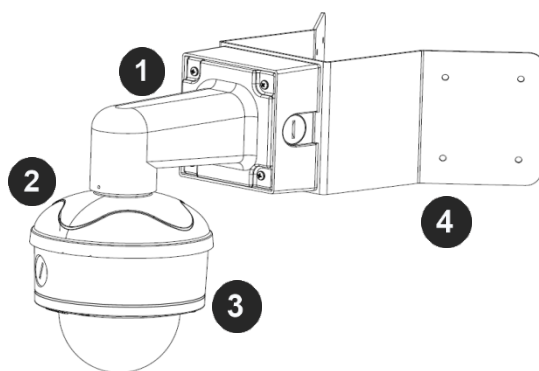
Reference #	Wall Mount Components Required
1	Wall mount (AV-WMJB-W) with integrated junction box
2	Contera® Outdoor Dome camera
3	MD-CAP-W mounting cap

Pole mount



Reference #	Pole Mount Components Required
1	Wall mount (AV-WMJB-W) with integrated junction box
2	MD-CAP-W mounting cap
3	Contera® Outdoor Dome camera
4	AV-PMA corner mount adapter

Corner mount



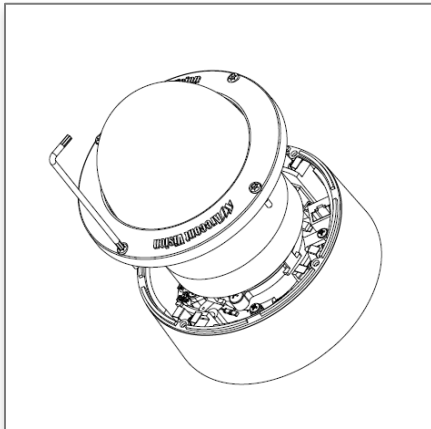


Reference #	Corner Mount Components Required
1	Wall mount (AV-WMJB-W) with integrated junction box
2	MD-CAP-W mounting cap
3	Contera <sup>®</sup> Outdoor Dome camera
4	AV-CRMA corner mount adapter

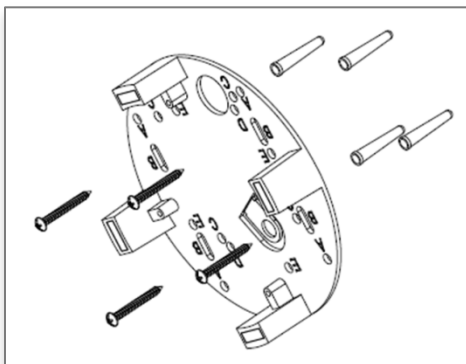
## Surface Mount

The Contera® Outdoor Dome camera can be directly attached onto hard ceilings or walls including wood, plastic, metal and concrete.

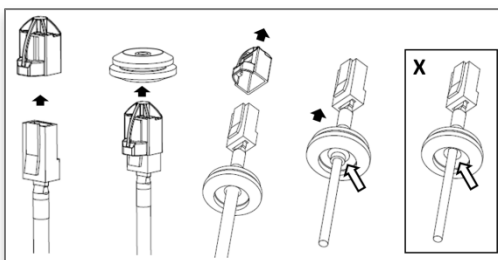
1. Use the template, anchors, and screws provided to prepare the mounting provisions for the camera installation.
2. Use the supplied security L-key, to loosen the four (4) tamper resistant screws securing the dome cover. Do not remove screws from the dome cover.



3. Remove the protective foam and discard.
4. Install four supplied dry wall anchors using the supplied mounting template.
5. Align four supplied screws (4pcs #8-16 1¼" tapping screws) with the dry wall anchors and screw mounting plate into place.

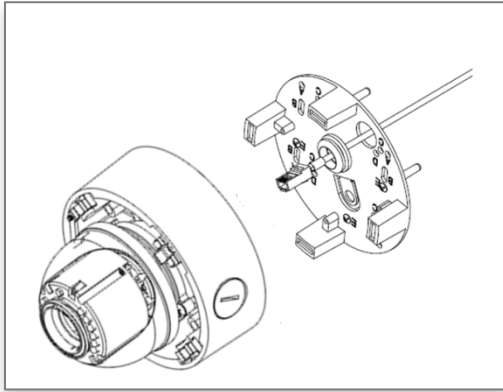


6. Prepare the network cable with the supplied grommet and insertion tool.



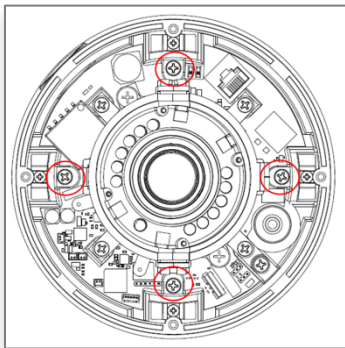
*NOTE: When mounting the camera outdoors or in a wet environment, use of supplied grommet is recommended. Ensure the grommet is properly seated flush with the camera housing.*

7. Align the hole on the camera with the hole on mounting plate, and install the grommet on camera housing.



*NOTE: If using the side connection of the NPT port, you need to install the supplied grommet without a through hole on the camera housing, and remove the cap covering the side entrance, otherwise; leave the cap in place. If using the NPT port, always use Teflon tape around the threads to ensure proper sealing. The conduit fits 3/4" NPT standard. Ensure NPT port is facing downward.*

8. Fasten securely four captive screws.



9. Attach the Dome Cover to the Contera® Outdoor Dome camera and fasten securely four captive screws.
10. To configure the camera, reference the camera discovery, set-up and configuration section.



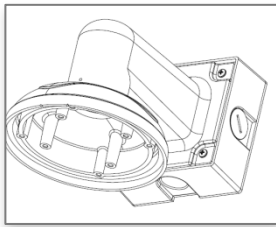
**CAUTION!**

The captive screws must be used to properly secure the dome cover and camera housing. Failure to use the captive fastener may result in serious injury. When mounting the dome cover to the camera housing, ensure that the gasket is properly seated and not folded. Failure to do so may result in water and dust ingress. Water damage from improper installation is not covered by the warranty!

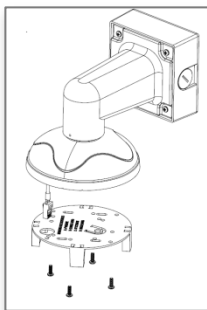
## Wall Mount

For a proper wall mount installation, the AV-WMJB-W wall mount and MD-CAP-W wall mount cap are required (sold separately). A wall mount should only be attached onto hard ceilings including wood, plastic, metal, and concrete.

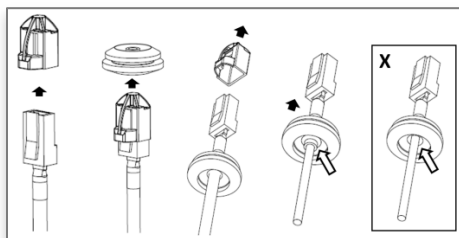
1. Using the Mounting template, prepare the mounting provisions for the camera installation.
2. Connect wall mount cap and wall mount.  
*NOTE: The thread size for Top shield, pendant pole and mount is 1.5" NPT.*



3. Attach the wall mount to the wall using the four drywall screws provided or any optional hardware suitable for the mounting surface.
4. Run the Ethernet Cable and outside power cable (if necessary) through the supplied rubber gasket and then through the wall mount. Ensure the gasket is seated properly.
5. Attach the mounting plate to the MD-CAP-W with the supplied screws.

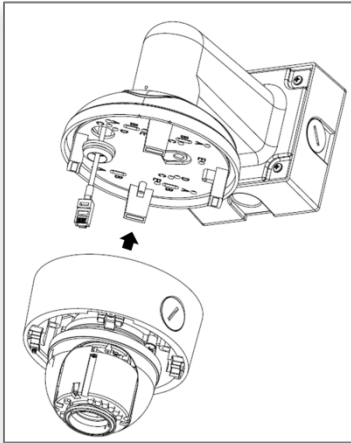


6. Prepare the network cable with the supplied grommet and insertion tool.

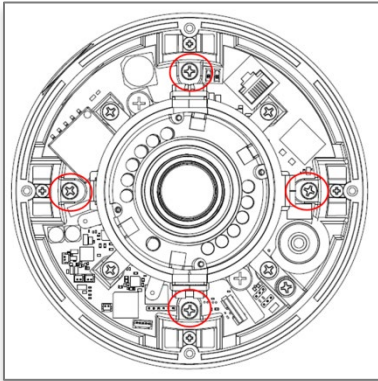


*NOTE: When mounting the camera outdoors or in a wet environment, use of supplied grommet is recommended. Ensure the grommet is properly seated flush with the camera housing.*

- Align the hole on the camera with the hole on mounting plate, and install the grommet on camera housing.



- Fasten securely four captive screws.



- Attach the Dome Cover to the Contera® Outdoor Dome camera and fasten securely four captive screws.
- To configure the camera, reference the camera discovery, set-up and configuration section.



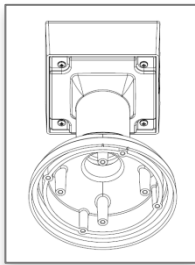
**CAUTION!**

The captive screws must be used to properly secure the dome cover and camera housing. Failure to use the captive fastener may result in serious injury. When mounting the dome cover to the camera housing, ensure that the gasket is properly seated and not folded. Failure to do so may result in water and dust ingress. Water damage from improper installation is not covered by the warranty!

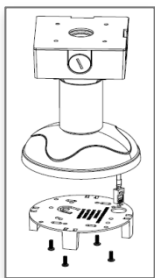
## Pendant Mount

For a proper pendant mount installation, the AV-PMJB pendant mount and MD-CAP-W mounting cap are required (sold separately). A pendant mount should only be attached onto hard ceilings including wood, plastic, metal, and concrete.

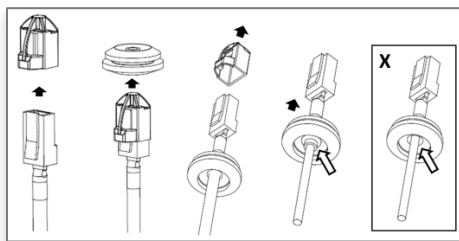
1. Using the Mounting template, prepare the mounting provisions for the camera installation.
2. Connect the cap, pendant pole and mount together.  
*NOTE: The thread size for Top shield, pendant pole and mount is 1.5" NPT.*



3. Attach the pendant mount to the ceiling using the four wood screws provided or any optional hardware suitable for the mounting surface.
4. Run the Ethernet Cable and outside power cable (if necessary) through the supplied rubber gasket and then through the wall mount. Ensure the gasket is seated properly.
5. Attach the mounting plate to the MD-CAP-W with the supplied screws.

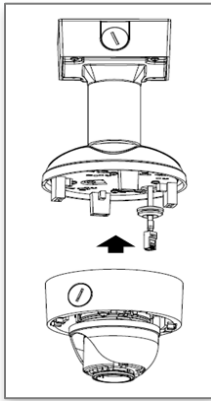


6. Prepare the network cable with the supplied grommet and insertion tool.

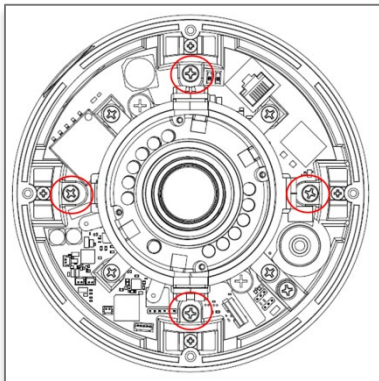


*NOTE: When mounting the camera outdoors or in a wet environment, use of supplied grommet is recommended. Ensure the grommet is properly seated flush with the camera housing.*

- Align the hole on the camera with the hole on mounting plate, and install the grommet on camera housing.



- Fasten securely four captive screws.



- Attach the Dome Cover to the Contera® Outdoor Dome camera and fasten securely four captive screws.
- To configure the camera, reference the camera discovery, set-up and configuration section.



**CAUTION!**

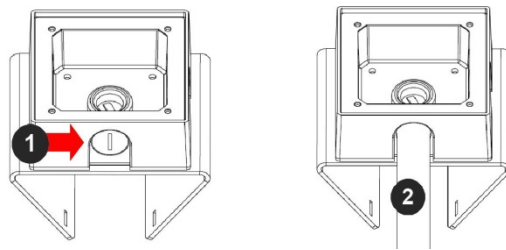
The captive screws must be used to properly secure the dome cover and camera housing. Failure to use the captive fastener may result in serious injury. When mounting the dome cover to the camera housing, ensure that the gasket is properly seated and not folded. Failure to do so may result in water and dust ingress. Water damage from improper installation is not covered by the warranty!



## Pole Mount

For a pole mount installation, the AV-WMJB-W wall mount, AV-PMA pole mount, and MD-CAP-W mount cap are required (sold separately). A pole mount should only be attached onto hard ceilings including wood, plastic, metal, and concrete.

1. Using the Mounting template, prepare the mounting provisions for the camera installation.
2. Connect the wall mount cap and wall mount.
3. Attach the Junction Box Adapter to the Pole Mount Adapter.
4. Remove the conduit plug on the junction box adapter and connect  $\frac{3}{4}$ " NPT conduit to the junction box adapter.

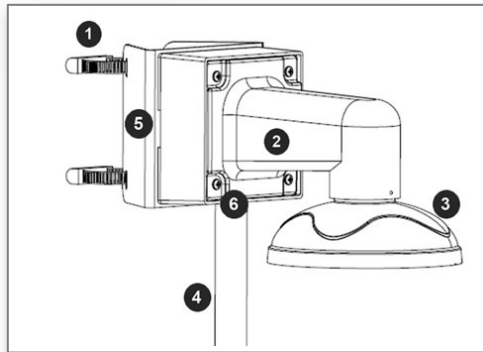


Reference #	Description
1	Remove conduit plug
2	Connect $\frac{3}{4}$ " NPT conduit to junction box adapter (ensure use of water seal tape)

*NOTE: Use silicon or water pipe seal tape to make sure no water leakage between conduit pipe and junction box adapter.*

5. Run the Ethernet cable and outside power cable (if necessary) through the Junction Box Adapter. Ensure the gasket is seated properly.
6. Attach the Wall Mount Adapter (AV-WMJB-W) to the Pole Mount Adapter (AV-PMA) .





Reference #	Description
1	Steel straps with compression screws
2	AV-WMJB-W wall mount
3	MD-CAP-W mount cap
4	Conduit pipe
5	AV-PMA pole mount adapter
6	Apply Teflon water seal tape to the thread of 3/4" NPT pipe to avoid water leakage

7. Use the supplied two Steel Straps to attach the Pole Mount Adapter to the pole and tighten the compression screws.
8. To attach the camera to the Wall Mount Adapter (AV-WMJB-W), reference the Installation and Wall Mount section.
9. To configure the camera, reference the camera discovery, set-up and configuration section.

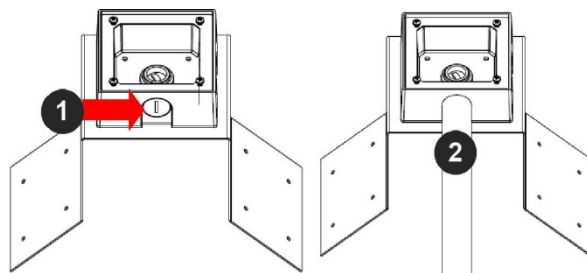


**CAUTION!** The captive screws must be used to properly secure the dome cover and camera housing. Failure to use the captive fastener may result in serious injury. When mounting the dome cover to the camera housing, ensure that the gasket is properly seated and not folded. Failure to do so may result in water and dust ingress. Water damage from improper installation is not covered by the warranty!

## Corner Mount

For a corner mount installation, the AV-WMJB-W wall mount, AV-CRMA corner mount, and MD-CAP-W mount cap are required (sold separately). A corner mount should only be attached onto hard corner surfaces including wood, plastic, metal, and concrete.

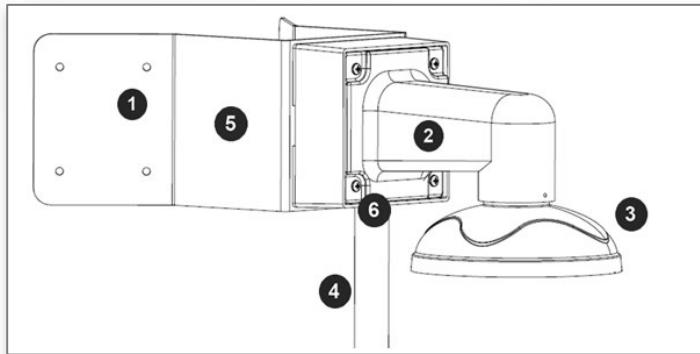
1. Using the Mounting template, prepare the mounting provisions for the camera installation.
2. Connect the wall mount cap and wall mount.
3. Attach the Junction Box Adapter to the Corner Mount Adapter.
4. Remove the conduit plug on the junction box adapter and connect  $\frac{3}{4}$ " NPT conduit to the junction box adapter.



Reference #	Description
1	Remove conduit plug
2	Connect $\frac{3}{4}$ " NPT conduit to junction box adapter (ensure use of water seal tape)

**NOTE:** Use silicon or water pipe seal tape to make sure no water leakage between conduit pipe and junction box adapter.

5. Run the Ethernet cable and outside power cable (if necessary) through the Junction Box Adapter. Ensure the gasket is seated properly.
6. Attach the Wall Mount Adapter (AV-WMJB-W) to the Corner Mount Adapter (AV-CRMA).



Reference #	Description
1	Attach corner mount adapter to exterior 90 degree corner wall
2	AV-WMJB wall mount
3	MD-CAP-W mount cap
4	Conduit pipe
5	AV-CRMA corner mount adapter
6	Apply Teflon water seal tape to the thread of 3/4" NPT pipe to avoid water leakage

7. Using the screws provided (or other hardware), attach the Corner Mount Adapter to an exterior 90 degree corner wall.
8. To attach the camera to the Wall Mount Adapter (AV-WMJB), reference the Installation and Wall Mount section.
9. To configure the camera, reference the camera discovery, set-up and configuration section.

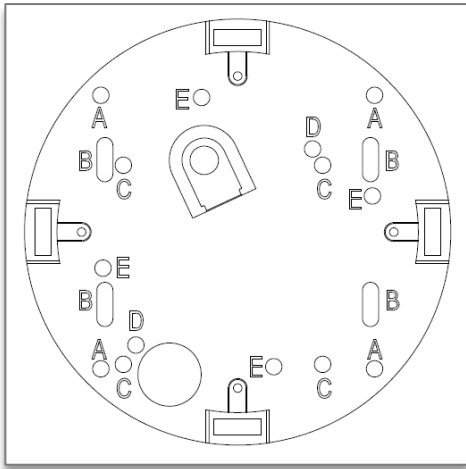


**CAUTION!** The captive screws must be used to properly secure the dome cover and camera housing. Failure to use the captive fastener may result in serious injury. When mounting the dome cover to the camera housing, ensure that the gasket is properly seated and not folded. Failure to do so may result in water and dust ingress. Water damage from improper installation is not covered by the warranty!

## Electrical Box Adapter

The mounting plate is used to attach the camera to a common single, double or square electrical box.

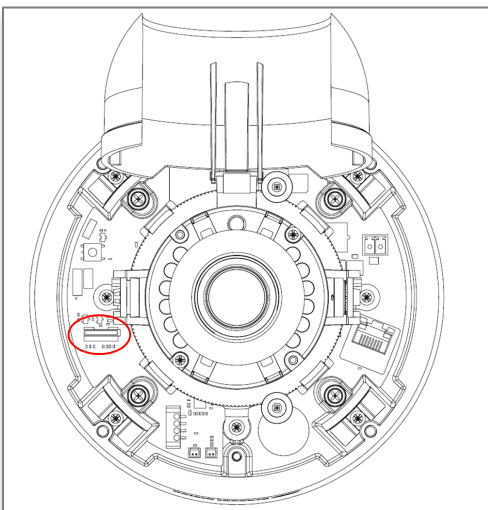
1. Using the supplied machine screws, match the mounting holes on the electrical box adapter with the threaded holes on the electrical box. Ensure every threaded hole is matched with a mounting hole.
2. Attach the electrical box adapter to the user supplied electrical box.



## SD Card

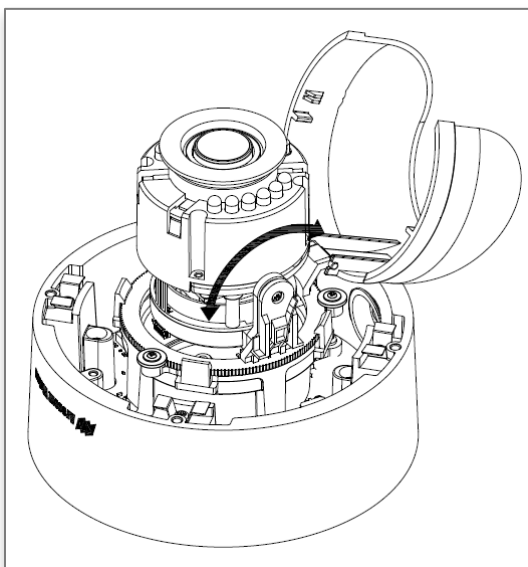
Insert an SD card (user supplied) into the SD card slot until it locks in place. The location of the SD card slot is located on the main board. The SD card can only be set-up via the Web Interface.

*Note: Upon insertion or removal of an SD card, the camera must be rebooted.*

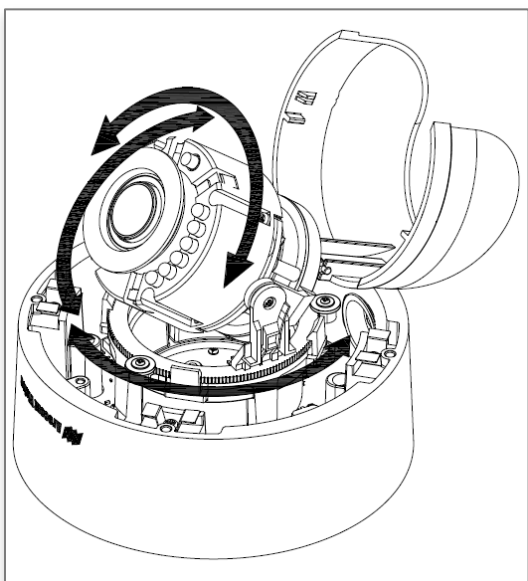


## Adjusting the Pan, Tilt and Focus

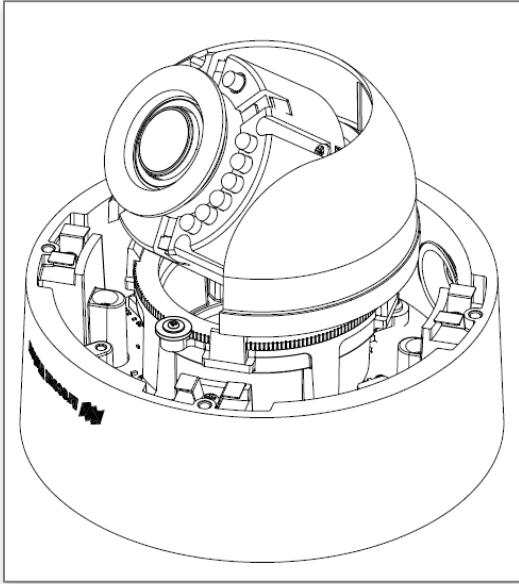
1. Remove the dome cover by loosening the captive fasteners with the supplied security L-key screwdriver
2. Power on the camera to adjust the pan, tilt and focus.
3. Remove the shroud from the camera gimbal.



4. Adjust the pan, and tilt/ rotate the lens module to obtain the desired field of view.



5. To configure the zoom/focus function, reference the “Zoom and Focus” section of the camera discovery, set-up and configuration.
6. Install the shroud back on the camera gimbal



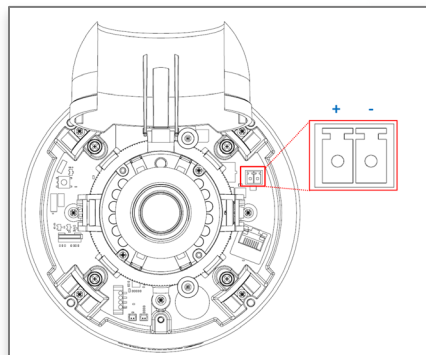
## Camera Power Up



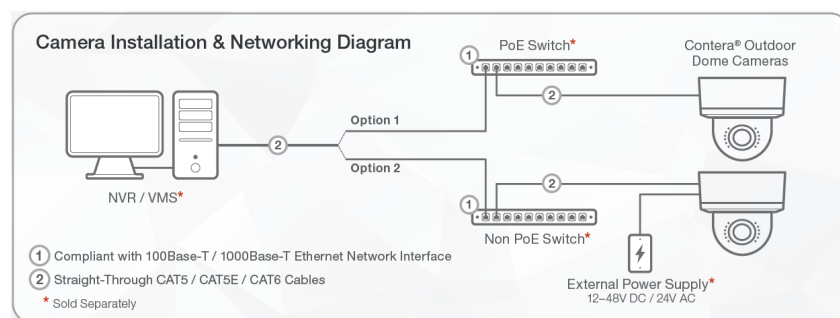
**CAUTION!** This product should be installed by a qualified service technician in accordance with the National Electrical Code (NEC 800 CEC Section 60) or applicable local code. Wiring methods shall be in accordance with the National Electrical Code/NFPA 70/ANSI, and with all local codes and authorities having jurisdiction. Wiring should be UL Listed and/or Recognized wire suitable for the application.

**CAUTION!** Make the connections inside a watertight compartment. Isolate unused power wires individually. After connections are made, ensure that the watertight compartment is tightly closed and cables and conduits are properly sealed to prevent ingress of water.

1. Connect the camera to a PoE port on 100Mbps network PoE switch using an Ethernet cable.
2. If the camera is powered by an outside power supply, connect the power wires from the external power supply (12~48VDC or 24VAC) to the power connector.



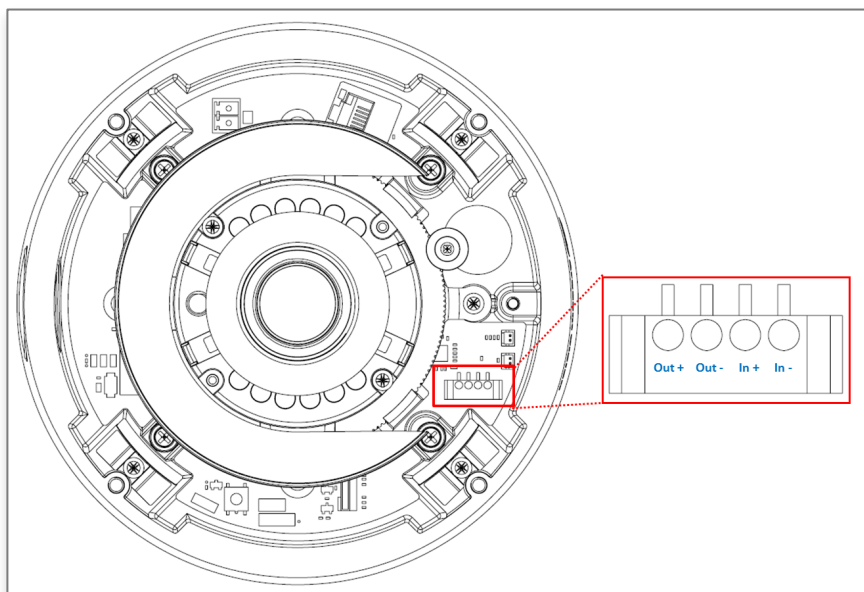
3. Connect the PoE switch to your computer's network port using an Ethernet cable.



LED	Status	Description
Green	Quick Flashing	Link has been established
	Slow Flashing	Normal operation
None	None	No Connection



## Alarm I/O Functions



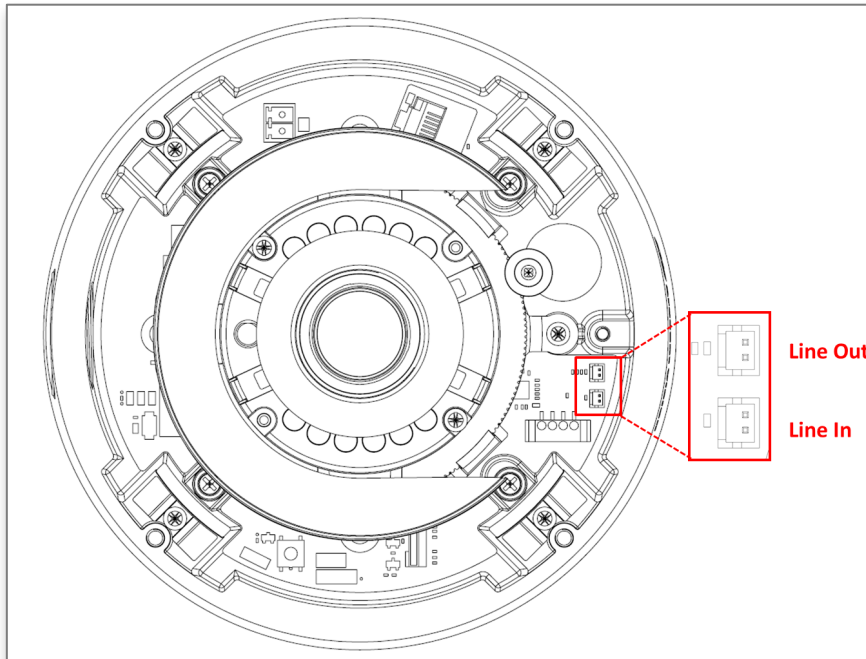
Connect the Alarm In (DI) connector to the alarm input sensor, and connect Alarm Out (DO) connector to the alarm output signal. To avoid any damaged, please follow the specification of the part as below:

Alarm In (Wet Contact)	Alarm Out (Wet Contact)	
V sense	V sense	I sense
4.2V±30%	0-80V	50mA (max)



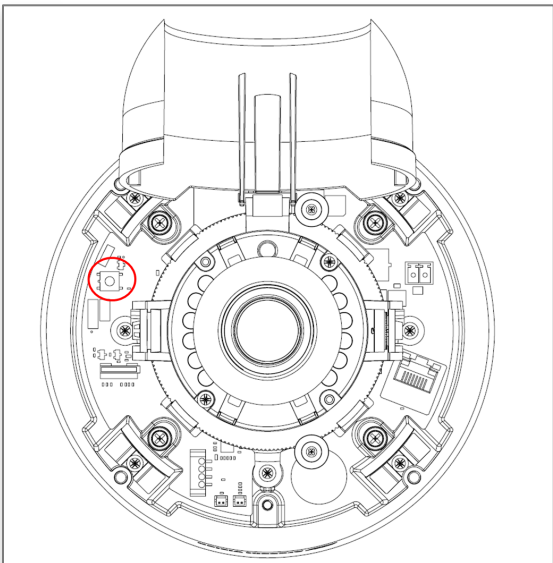
## Audio Kit AV-1AK Installation Instructions

(Accessory Sold Separately)



1. Run the audio cable connection jack cables through the hole on the bottom of the camera and connect them to the connectors on the circuit board.
2. Connect the line-in signal to LINEIN (Line In), and connect an active speaker with a built-in amplifier to LOOUT (Line Out) via the in-line jack.
3. Enable Audio function on the camera web interface.

## Reset to Factory Default



4. Press and hold the reset button for 2 to 5 seconds and release the reset button. The camera has been reset to the factory default except the network settings.
5. Press and hold the reset button for more than 5 seconds and release the reset button. The camera has been reset to the factory.
6. Or, user can reset the camera to factory default via camera web interface or AV IP Utility

## Camera Discovery, Setup, and Configuration

For camera discovery and setup, the AV IP Utility is recommended. The software can be found on the CD included with your camera or at: <http://www.arecontvision.com/software.php>

The AV IP Utility has the ability to provide multiple discovery options, including broadcast and multicast, check the status of a camera, change camera settings, import and export camera settings via a .csv file, and update firmware and/or hardware from virtually anywhere with a network connection.

Whether used for large installations that require an update to multiple settings, or smaller installations where only one camera needs changed, the AV IP Utility tool is efficient and convenient for mass or single camera uploads.

The AV IP Utility tool is compatible with all Contera® cameras. The user manual for the software is included on the CD that came with your camera or available on our website.

### Camera Discovery

1. Locate and double click the AV IP Utility shortcut on the desktop.

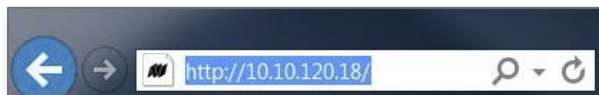


2. When the AV IP Utility is launched, it will automatically search the Contera cameras on the network. Or, you can also manually search cameras by clicking “Discovery (Multicast)”

 A screenshot of the Arecont Vision IP Utility software window. The window title is 'Arecont Vision IP Utility'. The menu bar includes 'File', 'View', 'Camera', 'Discovery', and 'Tools'. The main area shows a table with the following data:
 

Mac	IP	Model	FW Version	HW Version	IPN	Status
00:1A:07:18:A4:70	10.10.120.18	02CID-100	35100	01/016D	180200069	Accessible
00:1A:07:18:A9:F1	10.10.120.44	02CMB-100	35100	01/016D	180301081	Accessible
00:1A:07:18:A4:47	10.10.120.52	05CMB-100	35100	01/016A	180200028	Accessible

3. You can access the camera web user interface by typing the camera IP address on the preferred web browser.



## Web Interface Navigation



The entire menu categories are located on the top of the web interface, and clicking on any one of the buttons will cause left side of the page to jump to the settings section for the selected button.

The following are the camera settings available on the top of the web interface:

### **The following are the camera settings available on the top of the web interface:**

- Image
  - Basic Image Settings
  - WDR (Wide Dynamic Range) Settings
  - IR Control
  - OSD (On-Screen Display)
  - ROI (Regions of Interest)
- Zoom and Focus
  - Zoom/ Focus Control
- Video & Audio
  - Main Stream Configuration
  - Sub Stream Configuration
  - Third Stream Configuration
  - Audio
- Network
  - IP Assignment
  - QoS (Quality of Service)
  - UPnP (Universal Plug and Play)
  - RTSP (Real Time Streaming Protocol)
  - DDNS (Dynamic DNS)
  - SNMP (Simple Network Management Protocol)
  - SSL (Secure Sockets Layer)
  - FTP (File Transfer Protocol)
  - 802.1x
- Privacy Mask
- Event
  - Motion Detection
  - Alarm Handler
  - Digital I/O
  - Tamper Detection
  - FTP Upload Handler
  - SMTP (Simple Mail Transfer Protocol) Notification
  - Network Storage

- System Options
  - Firmware Upgrade
  - Reboot & Restore Settings
  - Date/Time
- Administration
  - Administrator settings
  - Viewer Management
- About
- Support

## Zoom and Focus



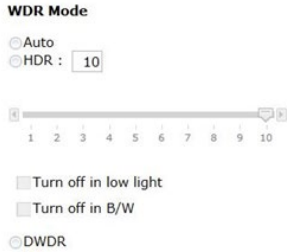
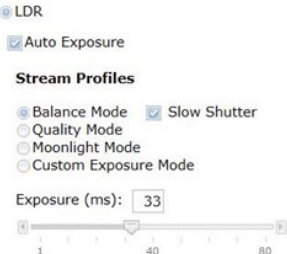
Menu	Feature	Description
<p><b>Zoom &amp; Focus</b></p> <hr/> <p>Zoom :</p> <p>+20 +5 +1</p> <p>-20 -5 -1</p> <p><input type="checkbox"/> Enable Auto Focus After Zoom</p> <p>Focus : DONE.</p> <p>+20 +5 +1</p> <p>-20 -5 -1</p> <p>Full-range Focus</p> <p>Short-range Focus</p> <p>Stop</p> <p>Reset Zoom and Focus Position</p>	Manual Zoom/ Focus: +20, +5, +1, -20, -5, -1	Numbers indicate the level of Zooming/ focusing in order to adjust the field-of-view.
	Enable Auto Focus Zoom	Camera will do Auto Focus after changing zoom lens group position.
	Full-range Focus	Best for scenes that are completely out of focus. The camera automatically scans the full focus range of the scene to find the best focus position.
	Short-range Focus	Best for scenes that are slightly of out of focus. The camera quickly fine-tunes for a precise focus position.
	Stop	Stops any command in progress.
	Reset Zoom and Focus Position	Resets Zoom and Focus lens groups to zero position

## Image

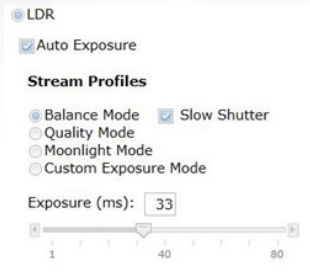
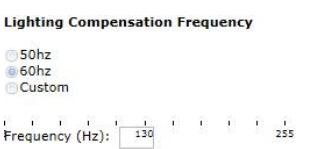
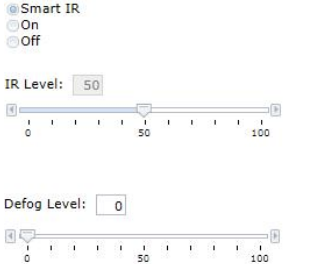


Menu	Feature	Description
<p><b>Image</b></p> <hr/> <p>Brightness: <input type="text" value="0"/></p> <p>Sharpness: <input type="text" value="2"/></p> <p>Saturation: <input type="text" value="3"/></p> <p>Contrast: <input type="text" value="50"/></p> <p>Hue: <input type="text" value="50"/></p> <p><b>Rotate Image</b></p> <p><input type="radio"/> 0</p> <p><input type="radio"/> 90</p> <p><input type="radio"/> 180</p> <p><input type="radio"/> 270</p>	Brightness	Controls the overall brightness of the camera image and works in conjunction with the exposure controls to maintain the image brightness.
	Sharpness	Controls sharpness and edge definition of the image. Setting this to lower levels may make overall image appear a bit softer while causing lines and edges in the image to look smoother.
	Saturation	Controls the color saturation of the image.
	Contrast	Manually controls Gamma level (affects the overall luminance of the image).
	Hue	Configures the overall hue of the image, the range is 0 ~ 100. Increasing the value will adjust the image hue towards red. Decreasing the value will adjust the image hue towards blue.
	Rotate Image:	Digitally rotates image 0°, 90°, 180°, or 270°.
<p><b>Mirror Image</b></p> <p><input type="checkbox"/> Flip Vertically</p> <p><input type="checkbox"/> Flip Horizontally</p> <p><input checked="" type="checkbox"/> Auto White Balance</p>	Mirror Image:	Flips the image horizontally (flip left-to-right) or vertically (flip top-to- bottom). They can be selected at the same time.
	Flip Vertically	
	Flip Horizontally	
Auto White Balance	Auto White Balance	Checkbox enables the automatic white balance feature of camera, which will automatically remove unrealistic color cast so that white color is rendered white in the image.



Menu	Feature	Description
 <p><b>WDR Mode</b></p> <p><input type="radio"/> Auto <input checked="" type="radio"/> HDR : 10</p> <p>1 2 3 4 5 6 7 8 9 10</p> <p><input type="checkbox"/> Turn off in low light <input type="checkbox"/> Turn off in B/W</p> <p><input checked="" type="radio"/> DWDR</p>	Auto	Auto detects bright backlight, glare or high contrast lighting and automatically selects the WDR level. <i>Note: WDR enabled will decrease the FPS of 5MP camera.</i>
	HDR	Manually adjusts the intensity of backlight compensation. <i>Note: WDR enabled will decrease the FPS of 5MP camera.</i>
	Turn off in low light	Disables WDR backlight compensation when the light levels drop for better nighttime image quality.
	Turn off in B/W	Disables WDR backlight compensation when the camera is in night mode for better nighttime image quality.
	DWDR	Digital WDR (DWDR) is to enhance dark areas by adjusting the gamma value. This will not impact FPS of 5MP camera.
 <p><input checked="" type="radio"/> LDR</p> <p><input checked="" type="checkbox"/> Auto Exposure</p> <p><b>Stream Profiles</b></p> <p><input checked="" type="radio"/> Balance Mode <input checked="" type="checkbox"/> Slow Shutter <input type="radio"/> Quality Mode <input type="radio"/> Moonlight Mode <input type="radio"/> Custom Exposure Mode</p> <p>Exposure (ms): 33</p> <p>1 40 80</p>	LDR	Will not combine long and short exposures into one frame, resulting in better low light performance.
	Auto Exposure	Automatically adjusts illumination and exposure values.
	Stream Profiles: Balance Mode -Slow Shutter Quality Mode	<b>Balanced Mode:</b> Limits exposure time from 0.1ms to 66ms. The camera will keep highest FPS when <b>Slow Shutter</b> is unchecked.  <b>Quality Mode:</b> Limits exposure time from 0.1ms to 200ms. This mode is a good compromise between reducing noise and motion blur under most lighting conditions, but with an increase in motion blur under low light conditions.



	<p>Moonlight Mode</p> <p>Custom Exposure Mode</p>	<p><b>Moonlight Mode:</b> Limits exposure time from 20ms to 500ms. This mode produces the best image quality under very low light conditions with the least amount of image noise. The trade-off is in favor of low noise at the expense of high motion blur.</p> <p><b>Custom Exposure Mod:</b> Enables manual setting of exposure time between 1 and 80ms. Shorter exposure times reduces motion blur for applications such as monitoring fast moving objects and reading license plates. The trade-off is an increased level of noise. It is recommended that this mode be used only when there is constant scene illumination sufficient to provide a quality image.</p>
 <p><b>Day/Night Mode</b></p> <p>Automatic</p> <p>Day to Night Switching Level: 40</p> <p>Night to Day Switching Level: 80</p> <p>Day</p> <p>Night</p> <p>Schedule Day Mode</p> <p>Start: 6 : 0 (hh:mm)</p> <p>End: 18 : 0 (hh:mm)</p>	<p>Lighting Compensation Frequency:</p> <p>50hz, 60hz, Custom</p> <p>Day/Night Mode</p> <p>Automatic</p> <p>Day</p> <p>Night</p> <p>Schedule Day Mode</p>	<p>Prevents flicker caused by the power line frequency of lighting. Chooses 50Hz for Europe and China and 60Hz for US and Japan. This parameter will have no effect when the dominate light is sunlight. Or, user can select frequency between 5Hz and 255Hz. It will be enabled when user select "Custom".</p> <p><b>Automatic:</b> Enables the camera to automatically switch from day mode to night mode. User can define the switching level from Day to Night or Night to Day.</p> <p><b>Day:</b> Forces the camera to stay in day mode.</p> <p><b>Night:</b> Forces the camera to stays in night mode.</p> <p><b>Schedule Day Mode:</b> User defined times that the camera remains in night mode.</p>
	<p>IR control:</p> <p>Smart IR</p> <p>On</p> <p>Off</p> <p>IR Level</p>	<p><b>Smart IR:</b> Automatically adjusts output in response to the distance of an object in view to prevent overexposure when the object is very close to the camera.</p> <p><b>On/ Off:</b> Manually turns on or off the IR LED array.</p> <p><b>IR Level:</b> Manually adjusts the IR intensity.</p>

	Defog Level	Compensates for fog or clouds in the scene in the scene.
<p style="text-align: center;"><b>OSD</b></p> <p><b>Camera Name</b> Contera Network Camera</p> <p><b>Background</b>  <input type="radio"/> Translucent  <input checked="" type="radio"/> Transparent  Text color: <span>White</span> ▼</p> <p><b>Text Overlay</b>  Top Left: <span>OFF</span> ▼  Top Right: <span>OFF</span> ▼  Bottom Left: <span>OFF</span> ▼  Bottom Right: <span>OFF</span> ▼</p> <p><span>Apply</span></p>	Camera Name	Specifies a name for the camera. The maximum length is 32 characters.
	Background Translucent Transparent	Configures the background color of the text overlay. The options are Translucent (light grey) or Transparent.
	Text Color	Options are Black, White, Green, or Yellow.
	Text Overlay Off Date/Time Camera Name Camera Name + Date/Time Custom Text	<p>There are four content positions (Top Left, Top Right, Bottom Left and Bottom Right) to display the text overlay.</p> <p><b>Date/ Time:</b> Displays the current date/time. It will force the camera to synchronize the date/time information.</p> <p><b>Camera Name:</b> Displays the camera name you set.</p> <p><b>Camera Name + Date/Time:</b> Displays both camera name and date/time information.</p> <p><b>Custom Text:</b> Displays a customized text.</p>
<p style="text-align: center;"><b>ROI</b> ▼</p> <p><small>* Create custom regions of interest by enabling zones below and selecting the desired quality level. Then create the ROI by dragging the mouse over the live image and press "Save Area" or "Del Area".</small></p> <p>Stream: <span>Main Stream</span> ▼</p> <p>ROI Zone 1: <input type="checkbox"/> Enable  <span>Medium</span> ▼ <span>Save Area</span> <span>Del Area</span></p> <p>ROI Zone 2: <input type="checkbox"/> Enable  <span>Medium</span> ▼ <span>Save Area</span> <span>Del Area</span></p> <p>ROI Zone 3: <input type="checkbox"/> Enable  <span>Medium</span> ▼ <span>Save Area</span> <span>Del Area</span></p> <p>ROI Zone 4: <input type="checkbox"/> Enable  <span>Medium</span> ▼ <span>Save Area</span> <span>Del Area</span></p> <p>ROI Zone 5: <input type="checkbox"/> Enable  <span>Medium</span> ▼ <span>Save Area</span> <span>Del Area</span></p>	ROI (Regions of Interest)	<p>ROI (Regions of Interest) is used to select which areas will be monitored and recorded with higher image quality while using lower image quality for other non-ROI zones to save bandwidth and storage.</p> <p>To setup the ROI:</p> <ol style="list-style-type: none"> <li>1. Select <b>Main Stream</b> or <b>Sub Stream</b></li> <li>2. Enable zones (up to five zones) and select the desired quality level (<b>High, Medium, or Low</b>).</li> <li>3. Create the ROI by dragging the mouse over the live image</li> <li>4. Press <b>Save Area</b> or <b>Del Area</b>.</li> </ol>



## Video & Audio



Menu	Feature	Description
<p><b>Video</b></p> <hr/> <p><b>Show Video Type</b></p> <p> <input type="radio"/> Disable Video  <input checked="" type="radio"/> MJPEG over HTTP  <input type="radio"/> H.264 over RTP/UDP         </p> <p><small>* For H.264 streaming, please make sure ActiveX Plugin is installed during VLC installation and axvlc.dll is at exactly the same path as C:\Program Files (x86)\VideoLAN\VLC\axvlc.dll</small></p> <p><input type="checkbox"/> Fit Video to Window</p> <p><b>Control Video with Mouse</b></p> <p> <input checked="" type="radio"/> No Control  <input type="radio"/> PTZ  <input type="radio"/> ROI Exposure Reference         </p> <p><small>* Mouse-related control requires running MJPEG video * Click and move to select window to set. * Double click to reset to default settings.</small></p>	<p>Show Video Type:</p> <p><b>Disable Video</b> <b>MJPEG over HTTP</b> <b>H.264 over RTP/UDP</b></p>	<p><b>Disable Video:</b> Disables live video on the screen.</p> <p><b>MJPEG over HTTP:</b> This radio button is the default browser display option. No plug in is required as most browsers can decode MJPEG images.</p> <p><b>H.264 over RTP/UDP:</b> Displays video using H.264. If viewing this way for the first time you will see the following prompt to download the necessary browser plug –in to display the video in the browser using this compression.</p>
	<p>Fit Video to Window</p>	<p>Scales the full field of view image to fit the browser window. When in default unselected images will be displayed in the browser at VGA resolution.</p>
	<p>Control Video with Mouse</p> <p><b>No Control</b> <b>PTZ</b> <b>ROI Exposure Reference</b></p>	<p>Radio buttons control various functions using the mouse to select them on screen.</p> <p>Whichever function is selected can be controlled by left clicking in the image with the mouse and dragging to select an image region relevant to the corresponding control function.</p> <p><b>No Control:</b> Disables mouse control of these functions.</p> <p><b>PTZ:</b> Zooms in the selected region. Double clicks on the image will restore the image to default.</p> <p><b>ROI Reference:</b> Creates a custom exposure reference using the selected region to customize backlight.</p>

<p><b>Resolution</b></p> <p>Left : <input type="text" value="0"/></p> <p>Top : <input type="text" value="0"/></p> <p>Right : <input type="text" value="1920"/></p> <p>Bottom : <input type="text" value="1080"/></p> <p><input type="button" value="Preview"/> <input type="button" value="Apply"/></p>	<p>Resolution: <b>Left</b> <b>Top</b> <b>Right</b> <b>Bottom</b></p>	<p>Controls the image size and image cropping features.</p> <p><b>Left, Top, Right, and Bottom</b> numeric fields set custom image size cropping and crop area coordinates in pixels. Supported values are 0 to maximum resolution in pixels (maximum varies based on the sensor resolution being cropped)</p>
<p><b>Main Stream</b></p> <p>Video Compression</p> <p><input type="radio"/> H.265</p> <p><input checked="" type="radio"/> H.264</p> <p>Resolution</p> <p><input checked="" type="radio"/> 1920x1080</p> <p><input type="radio"/> 1280x720</p> <p><input type="radio"/> 960x540</p> <p><input type="checkbox"/> Enable SNAPstream+™</p> <p><input type="radio"/> Variable Bitrate</p> <p><input checked="" type="radio"/> Maximum Bitrate</p> <p>(64-8000 kbps): <input type="text" value="5000"/></p> <p>H.264 Quality (1..10) : <input type="text" value="3"/></p> <p>* 10 - lowest quality, 1 - highest quality</p> <p>Frames Per Seconds: <input type="text" value="30"/> (0~30)</p> <p>GOP Length : <input type="text" value="15"/> (1~120)</p> <p><input type="button" value="Apply"/></p> <p><small>* "Apply" will apply changes for all three streams settings to the camera.</small></p>	<p>Video Compression: <b>H.265</b> <b>H.264</b></p>	<p>Radio buttons to select the desired compression.</p>
	<p>Resolution</p>	<p>Radio buttons to select the desired resolution. Options vary based on the sensor resolution being used.</p>
	<p>Enable SNAPstream+™</p>	<p>Enables the SNAPstream+ feature on camera. This feature utilizes both Smart GOP and Smart ROI to reduce bitrate without impacting the image quality.</p> <p>Smart GOP sets GOP to automatically increase when no moving objects are detected.</p> <p>Smart ROI will increase the bitrate of moving objects and make them clearer.</p>
	<p>Variable Bitrate</p>	<p>Maintains the Quality setting configured. There may be variation in the bit rate output from the camera using this mode.</p>
	<p>Maximum Bitrate</p>	<p>Maintains variable bit rate control and maintains the bitrate under the rate limit you set to. It can be set from 64 kbps to 8000 kbps.</p>

<p><b>Sub Stream</b></p> <p>Video Compression  <input type="radio"/> H.265  <input checked="" type="radio"/> H.264</p> <p>Resolution  <input type="radio"/> 1920x1080  <input type="radio"/> 1280x720  <input checked="" type="radio"/> 960x540  <input type="radio"/> 640x480  <input type="radio"/> 640x360  <input type="radio"/> 320x240</p> <p><input type="checkbox"/> Enable SNAPstream+™</p> <p><input type="radio"/> Variable Bitrate  <input checked="" type="radio"/> Maximum Bitrate          (64-8000 kbps): <input type="text" value="2850"/></p> <p>H.264 Quality (1..10) : <input type="text" value="7"/></p> <p>* 10 - lowest quality, 1 - highest quality</p> <p>Frames Per Seconds: <input type="text" value="10"/> (0~30 )</p> <p>* If both Main Stream and Sub Stream set to 1080P, the Third Stream will be terminated, and the FPS of Sub Stream can be set up to 20fps.</p> <p>GOP Length : <input type="text" value="30"/> (1~120 )</p> <p><input type="button" value="Apply"/></p> <p>* "Apply" will apply changes for all three streams settings to the camera.</p>	<p>H.264 Quality</p>	<p>H.264 image quality setting for variable bit rate control. Setting a lower value results in higher image quality, higher value results in lower image quality.</p>
<p><b>Third Stream</b></p> <p>Video Compression  <input checked="" type="radio"/> MPJEG</p> <p>Resolution  <input checked="" type="radio"/> 640x360</p> <p>Frames Per Seconds: <input type="text" value="30"/> (0~30 )</p> <p>Quality  <input type="radio"/> Low  <input type="radio"/> Mid  <input checked="" type="radio"/> High</p> <p><input type="button" value="Apply"/></p> <p>* "Apply" will apply changes for all three streams settings to the camera.</p>	<p>Frames Per Seconds</p>	<p>Frame rate adjustment for the camera video stream.</p> <p><i>Note: For 5MP models, FPS will be up to 50% of specified FPS if WDR is enabled.</i></p> <p><i>Note: For 5MP models, if both main and sub stream set to full resolution, the maximum FPS of the main stream is up to 15 FPS.</i></p>
<p><b>Audio</b></p> <p><input type="checkbox"/> Audio In</p> <p>Volume  <input type="radio"/> High  <input checked="" type="radio"/> Middle  <input type="radio"/> Low</p> <p><input type="checkbox"/> Audio Out</p> <p>Volume  <input type="radio"/> High  <input checked="" type="radio"/> Middle  <input type="radio"/> Low</p>	<p>GOP Length</p>	<p>Specifies how many frames between two consecutive I-Frames.</p>
	<p>Video Compression: <b>MPJEG</b></p>	<p>The third stream is designed for the live view on web interface, and the only option of Video Compression is MPJEG.</p>
	<p>Resolution</p>	<p>The third stream is designed for the live view on web interface, and the only option of Resolution is VGA.</p>
	<p>Frames Per Seconds</p>	<p>Frame rate adjustment for the camera video stream.</p>
	<p>Quality: <b>Low</b> <b>Mid</b> <b>High</b></p>	<p>Adjusts the compression level for JPEG images</p>
	<p>Audio In</p> <p>Audio Out</p> <p>Volume: <b>High</b> <b>Middle</b> <b>Low</b></p>	<p>Enables the Audio In/ Audio Out features on the camera.</p> <p>Specifies the volume level of Audio In/ Audio Out: <b>High</b>, <b>Middle</b>, or <b>Low</b>.</p>



## Network



Menu	Feature	Description
<p style="text-align: center;"><b>Network</b></p> <hr/> <p><b>IP Assignment</b></p> <p><input checked="" type="checkbox"/> DHCP</p> <p>IP Address: <input type="text" value="192.168.1.168"/></p> <p>Subnet Mask: <input type="text" value="255.255.255.0"/></p> <p>Default Gateway: <input type="text" value="192.168.1.254"/></p> <p><b>Port</b></p> <p>HTTP: <input type="text" value="80"/> (80,1024~65535)</p> <p>Second HTTP Port: <input type="text" value="8080"/> (8080,1024~65535)</p> <p>HTTPS: <input type="text" value="443"/> (443,1024~65535)</p> <p><b>DNS</b></p> <p>Primary DNS: <input type="text" value="192.168.1.1"/></p> <p>Secondary DNS: <input type="text" value="192.168.1.2"/></p>	<p>IP Assignment:</p> <p>DHCP</p> <p>IP Address</p> <p>Subnet Mask</p> <p>Default Gateway</p>	<p>DHCP: If checked, the camera will attempt to obtain its IP address from the DHCP server available on the network.</p> <p>IP Address: Sets the current IP address of the camera.</p> <p>Subnet Mask: Once set, the camera will use these mask bits to determine if a destination is from a different network</p> <p>Default Gateway: Once set, the camera will use send traffic to the specified gateway if the destination is on a different network</p>
	<p>Port:</p> <p>HTTP</p> <p>Second HTTP Port</p> <p>HTTPS</p>	<p>HTTP: The port default is 80. It is used to access the camera via the web browser.</p> <p>Second HTTP port: Sets an alternative HTTP port. This port can be useful when the standard HTTP port (80) is not appropriate for this camera.</p> <p>HTTPS: The port default is 443. It can be used when you use HTTPS.</p>
	<p>Port:</p> <p>Primary DNS</p> <p>Secondary DNS</p>	<p>Configures the Primary and Secondary DNS.</p>
<p><b>IPv6 Settings</b></p> <p><input type="checkbox"/> Enable IPv6</p> <p>Link-Local:</p> <p>IPv6 Address: <input type="text"/></p> <p>Address Prefix: <input type="text" value="64"/> (0~127)</p> <p>Default Route: <input type="text"/></p> <p><input type="checkbox"/> Router Advertisement</p> <p>DNS: <input type="text"/></p>	<p>IPv6 Settings:</p> <p>Enable IPv6</p> <p>IPv6 Address</p> <p>Address Prefix</p> <p>Default Route</p> <p>Router Advertisement</p> <p>DNS</p>	<p>Enable IPv6: Enables IPv6 function.</p> <p>Manually configures IPv6 address, Address prefix, Default route, and DNS server address.</p> <p>Router Advertisement: Enables Router Advertisement</p>

<p style="text-align: center;"><b>QoS</b></p> <p><input type="checkbox"/> Enable QoS</p> <p>Video QoS (0-63) : <input type="text" value="34"/></p> <p>Management DSCP (0-63) : <input type="text" value="0"/></p>	<p>Enable QoS</p>	<p>Enables quality of service.</p>
	<p>Video QoS</p>	<p>Sets DSCP value for video traffic.</p>
	<p>Management DSCP</p>	<p>Sets DSCP value for non-video traffic.</p>
<p style="text-align: center;"><b>UPnP</b></p> <p><input checked="" type="checkbox"/> Enable UPnP</p>	<p>Enable UPnP</p>	<p>Enables Universal Plug and Play function.</p>
<p style="text-align: center;"><b>RTSP</b></p> <p>Port : <input type="text" value="554"/> (554, 1025~65535)</p> <p><input checked="" type="checkbox"/> Enable RTSP Unicast Stream1</p> <p><input type="checkbox"/> Enable RTSP Stream1 Metadata</p> <p>Path1 : <input type="text" value="stream1"/></p> <p>Link for external media players : <a href="rtsp://10.10.120.18:554/stream1">rtsp://10.10.120.18:554/stream1</a></p> <p><input checked="" type="checkbox"/> Enable RTSP Unicast Stream2</p> <p><input type="checkbox"/> Enable RTSP Stream2 Metadata</p> <p>Path2 : <input type="text" value="stream2"/></p> <p>Link for external media players : <a href="rtsp://10.10.120.18:554/stream2">rtsp://10.10.120.18:554/stream2</a></p> <p><input checked="" type="checkbox"/> Enable RTSP Unicast Stream3</p> <p><input type="checkbox"/> Enable RTSP Stream3 Metadata</p> <p>Path3 : <input type="text" value="stream3"/></p> <p>Link for external media players : <a href="rtsp://10.10.120.18:554/stream3">rtsp://10.10.120.18:554/stream3</a></p>	<p>Port</p>	<p>Configures the port number for stream 1 to stream 3. The range is 554/1025~65535.</p>
	<p>Enable RTSP Unicast Stream</p>	<p>Enables RTSP Unicast for stream 1(Main stream), stream 2(Sub Stream), and stream 3(Third Stream)</p>
	<p>Enable RTSP Stream metadata</p>	<p>Enables RTSP stream metadata for stream 1(Main stream), stream 2(Sub Stream), and stream 3(Third Stream)</p>
	<p>Path</p>	<p>Configures the pathname for each stream.</p>
	<p>Link for external media players</p>	<p>Copies the link from here for external media players</p>
<p style="text-align: center;"><b>Multicast</b></p> <p><b>Multicast Stream1</b></p> <p><input type="checkbox"/> Enable RTSP Multicast Stream</p> <p><input type="checkbox"/> Always Multicast</p> <p>Video IP : <input type="text" value="225.24.164.112"/></p> <p>Video Port : <input type="text" value="5000"/> (1025~65535)</p> <p>Audio IP : <input type="text" value="226.24.164.112"/></p> <p>Audio Port : <input type="text" value="5002"/> (1025~65535)</p> <p>Meta IP : <input type="text" value="227.24.164.112"/></p> <p>Meta Port : <input type="text" value="5004"/> (1025~65535)</p> <p>Path : <input type="text" value="stream1m"/></p>	<p>Enable RTSP Multicast Stream</p>	<p>Enables RTSP Multicast stream for stream 1(Main stream), stream 2(Sub Stream), and stream 3(Third Stream)</p>
	<p>Always Multicast</p>	<p>Enables the video streams to start multicast steaming without using RTCP</p>
	<p>Video IP</p> <p>Video Port</p>	<p>Configures the multicast address and the port number to stream video.</p>



	<p>Audio IP</p> <p>Audio Port</p>	<p>Configures the multicast address and the port number to stream audio.</p> <p><i>*This function is supported depends on models.</i></p>
	<p>Meta IP</p> <p>Meta Port</p>	<p>Configures the multicast address and the port number to the HTML meta.</p>
	<p>Path</p>	<p>Configures the URL address of the video stream.</p>
	<p>TTL</p>	<p>Configures the time-to-live threshold of the multicast datagram before it is discarded by the router.</p>
<p style="text-align: center;"><b>DDNS</b></p> <p><input type="checkbox"/> Enable DDNS</p> <p>Host Name : <input type="text"/></p> <p>DDNS Server : <span style="border: 1px solid black; padding: 2px;">DynDNS</span> ▼</p> <p>User Name : <input type="text"/></p> <p>Password : <input type="password"/></p> <p>Password Confirmation : <input type="password"/></p>	<p>Enable DDNS</p>	<p>Enables DDNS service</p>
	<p>Host Name</p>	<p>Specifies the Host name registered with the DDNS server</p>
	<p>DDNS Sever</p>	<p>Selects one of the pubic DDNS severs from the dropdown menu. Options are DynDNS, NO-IP, and Twi-DNS.</p>
	<p>User Name</p>	<p>Specifies the user name of the DDNS account.</p>
	<p>Password</p>	<p>Specifies the password of the DDNS account.</p>
	<p>Password Confirmation</p>	<p>Confirms the password of the DDNS account.</p>
<p style="text-align: center;"><b>SNMP</b></p> <p><input checked="" type="radio"/> No SNMP Server</p> <p><input type="radio"/> SNMP V2c</p> <p>Community String : <input type="text" value="public"/></p>	<p>No SNMP Sever</p>	<p>Disables SNMP function</p>
	<p>SNMP v2c</p>	<p>Enables SNMP version 2 support</p>

<p><b>Trap Configuration</b></p> <p>Address : 192.168.1.200</p> <p>Community String : public</p> <p><input type="radio"/> SNMP V3</p> <p>SNMP User : initial</p> <p>Authentication : Password : None Password :</p> <p>Privacy : None Password :</p> <p><b>Trap Configuration</b></p> <p>Address : 192.168.1.200</p> <p><a href="#">Download MIB</a></p>	Community String	Specifies the name of the community to access to SNMP information.
	Trap Configuration: Address Community String	Specifies the destination IP address to send SNMP trap messages.
	SNMP v3	Enables SNMP version 3 support.
	SNMP User	Specifies the user name of the SNMP v3.
	Authentication Password	Selects one of the Authentication modes from the dropdown menu. Options are <b>None</b> , <b>MD5</b> , and <b>SHA</b> .  Specifies the Password for the Authentication.
	Privacy Password	Selects one of the encryption methods for SNMP v3 from the dropdown menu. Options are <b>DES</b> and <b>AES</b> .  Specifies the Password for the encryption.
	Trap Configuration: Address	Specifies the destination IP address to send SNMP trap messages.
	Download MIB	Clicks to download MIB file for SNMP.
<p style="text-align: center;"><b>SSL</b></p> <p>Mode : <input type="radio"/> Disable <input checked="" type="radio"/> Optional</p> <p>Certificate : No certificate has been installed.</p> <p>Action : <a href="#">Install New Certificate</a></p> <p>CA Certificate :</p> <p><input type="text"/> <a href="#">Browse...</a> <a href="#">Upload</a></p> <p>Client Certificate :</p> <p><input type="text"/> <a href="#">Browse...</a> <a href="#">Upload</a></p>	Mode:  Disable Optional	Disable: Support for HTTP only.  Optional: Support for HTTP and HTTPs both.
	Certificate	Shows the current status of the Certificate
	Install New Certificate CA Certificate Client Certificate	<ol style="list-style-type: none"> <li>1. Locate <b>CA Certificate</b> and <b>Client Certificate</b> and click <b>Upload</b>.</li> <li>2. Click <b>Install New Certificate</b> to upload the Certificate.</li> </ol>

<p style="text-align: center;"><b>FTP</b></p> <p><input type="checkbox"/> Enable</p> <p>User name : adminftp</p> <p>Password : <input type="password" value="••••"/></p> <p>Confirm : <input type="password" value="••••"/></p> <p>Max. Connection (1~10) : <input type="text" value="10"/></p>	<p>Enable</p>	<p>Enables FTP access to the camera.</p> <p><i>Note: This function is only available when a SD card is installed. You can access files in the SD card via FTP.</i></p>
	<p>Password Confirm</p>	<p>Specifies and confirms the password to access the FTP.</p>
	<p>Max. Connection</p>	<p>Specifies the maximum number of FTP connections to the IP camera.</p>
<p style="text-align: center;"><b>802.1x</b></p> <p>Protocol : <input type="text" value="NONE"/></p> <p>Enable : <input type="checkbox"/></p> <p><input type="button" value="Apply"/></p>	<p>Protocol</p>	<p>The default is <b>None</b> to disable 802.1 x functions. You can select one of the protocol options from the dropdown menu. The supported protocols are <b>EAP-MD5, EAP-TLS, EAP-TTLS or EAP-PEAP.</b></p> <p>After the protocol has been selected, manually configures the username, password and other required information.</p>

## Privacy Mask



Menu	Feature	Description
<p><b>Privacy Mask</b></p> <hr/> <p><input type="checkbox"/> Enable Privacy Mask</p> <p>* Left click and drag to set mask * Right click and drag to erase mask</p>	<p>Enable Privacy Mask</p>	<p>Creates a privacy mask on the image so the selected areas will not be visible.</p>

## Event



Menu	Feature	Description
<p><b>Motion Detection</b> ▾</p> <p><input checked="" type="checkbox"/> Enable <input type="checkbox"/> Extended</p> <p>Zone Size: <input type="text" value="8"/></p> <p>Detail: <input type="text" value="2"/></p> <p>Level Threshold: <input type="text" value="15"/></p> <p>Motion Sensitivity, %: <input type="text" value="30"/></p> <p><small>* Left click and move to select window to set mask. * Right click and move to select window to reset mask.</small></p>	Enable	Turns on and off on-camera motion detection
	Extend	Enables the extended motion detection and motion detection zones increase from default 64 to 1024 for enhanced motion detection sensitivity.
	Zone Size	Adjusts the size of motion detection zones.
	Detail	Sets the size of each zone displayed by the motion detection grid contains sub zones the number of which is set by the zone size setting up to 32x32 (pixels). This setting configures the sensitivity of the motion detection to the size of objects in the image moving through the zone. Higher values will trigger motion only for larger objects moving through the zone, lower values will cause detection of smaller objects in the zone (increasing sensitivity to smaller size objects moving through the image).
	Level Threshold	Sets the sensitivity to brightness changes between dark and light objects within each grid zone. As an example “Detail” will set the size of the object detected within the zone, “level” sets the duration that movement must be maintained to trigger motion detection. Lower settings can increase false motion alarms caused by image noise, higher settings will require more movement to trigger a motion event.
	Motion Sensitivity	Sets the sensitivity to sudden overall brightness changes in the image.
<p><b>Alarm Handler</b></p> <p><input type="checkbox"/> Enable Alarm Detection</p> <p><input type="button" value="Alarm Schedule"/></p> <p><i>*This function is supported depends on models.</i></p>	Enable Alarm Detection	Enables Alarm Detection (Alarm In) function.

	Alarm Schedule	<p>Configures the alarm schedule by holding down the mouse button and clicking the time block to enable the schedule settings on the selected time. A light blue color on the time block indicates that the alarm schedule is enabled, while a light grey color indicates that the alarm schedule is disabled.</p> <p>Alternatively, you can manually enter numbers to configure the hours and minutes from start to end for all weekdays.</p> <p><b>S:</b> Click “S” to set up a 24-hour schedule for a particular day.</p> <p><b>D:</b> Click “D” to clear the previous schedule for a particular day.</p>
<p style="text-align: center;"><b>Digital I/O</b></p> <p><input type="checkbox"/> Trigger Alarm Detection</p> <p><input type="checkbox"/> Trigger Motion Detection</p> <p><input type="checkbox"/> Trigger Tamper Detection</p> <p>Type <input type="text" value="N.O."/> ▼</p> <p>Off Time <input type="text" value="0"/> (0~30s)</p> <p><i>*This function is supported depends on models.</i></p>	Trigger Alarm Detection	When a signal is detected from Alarm in, the Alarm out will be triggered.
	Trigger Motion Detection	When a motion detection event is detected, the Alarm out will be triggered.
	Trigger Tamper Detection	When a tamper detection event is detected, the Alarm out will be triggered.
	Type	Selects the type: N.O (Normal Open) or N.C (Normal Close)
	Off Time	Specifies the alarm duration
<p style="text-align: center;"><b>Tamper Detection</b></p> <p><input type="checkbox"/> Enable Tampering Detection</p> <p><b>Tampering Schedule</b></p> <p>Sensitivity <input type="text" value="Medium"/> ▼</p>	Enable Tampering Detection	Enables Tampering Detection function.
	Tampering Schedule	<p>Configures the alarm schedule by holding down the mouse button and clicking the time block to enable the schedule settings on the selected time. A light blue color on the time block indicates that the alarm schedule is enabled, while a light grey color indicates that the alarm schedule is disabled.</p> <p>Alternatively, you can manually enter numbers to configure the hours and minutes from start to end for all weekdays.</p> <p><b>S:</b> Click “S” to set up a 24-hour schedule for a particular day.</p> <p><b>D:</b> Click “D” to clear the previous schedule for a particular day.</p>

	Sensitivity	Configures the sensitivity level of Tampering Detection: High, Medium, and Low.																																																																		
<p><b>FTP Upload Handler</b> ▾</p> <p><b>Remote Server</b></p> <p>Host Address : <input type="text"/></p> <p>Port : <input type="text" value="21"/> (21, 1025~65535)</p> <p>Username : <input type="text"/></p> <p>Password : <input type="text"/></p> <p><b>FTP Upload Handler</b></p> <p><input type="checkbox"/> Enable Trigger Event</p> <ul style="list-style-type: none"> <li><input type="radio"/> Trigger Alarm Detection</li> <li><input type="radio"/> Trigger Motion Detection</li> <li><input type="radio"/> Trigger Tampering Alarm</li> <li><input type="radio"/> Trigger Scheduled</li> </ul>	<p>Remote Server</p> <p>Host Address</p> <p>Port</p> <p>Username</p> <p>Password</p>	<p>Host Address: Specifies the host name or IP address of the FTP server.</p> <p>Port: Specifies the port number of the FTP server.</p> <p>Username: Specifies the login username of the FTP server.</p> <p>Password: Specifies the login password of the FTP server.</p>																																																																		
	FTP Upload Handler	<p>Enable Trigger Event</p> <p>Enables and selects a desired trigger source. The options are Trigger Alarm Detection*, Trigger Motion Detection, Trigger Tampering Alarm, and Trigger Scheduled.</p> <p><i>*This function is supported depends on models.</i></p>																																																																		
<p><b>SMTP Notification</b> ▾</p> <p><b>SMTP Notification Handler</b></p> <p>From : <input type="text"/></p> <ul style="list-style-type: none"> <li><input type="checkbox"/> Trigger Alarm Detection</li> <li><input type="checkbox"/> Trigger Motion Detection</li> <li><input type="checkbox"/> Trigger Tampering Alarm</li> </ul> <p><b>SMTP Server</b></p> <p>Host Address : <input type="text"/></p> <p>Port : <input type="text" value="25"/> (1~65535)</p> <p>Username : <input type="text"/></p> <p>Password : <input type="text"/></p> <p>Authentication : <input type="text" value="NO_AUTH"/></p> <p><b>Recipient List</b></p> <table border="1"> <thead> <tr> <th>Enable</th> <th>No</th> <th>Email</th> <th>Alarm</th> <th>Motion</th> <th>Tampering</th> </tr> </thead> <tbody> <tr><td><input type="checkbox"/></td><td>1</td><td><input type="text"/></td><td><input type="checkbox"/></td><td><input type="checkbox"/></td><td><input type="checkbox"/></td></tr> <tr><td><input type="checkbox"/></td><td>2</td><td><input type="text"/></td><td><input type="checkbox"/></td><td><input type="checkbox"/></td><td><input type="checkbox"/></td></tr> <tr><td><input type="checkbox"/></td><td>3</td><td><input type="text"/></td><td><input type="checkbox"/></td><td><input type="checkbox"/></td><td><input type="checkbox"/></td></tr> <tr><td><input type="checkbox"/></td><td>4</td><td><input type="text"/></td><td><input type="checkbox"/></td><td><input type="checkbox"/></td><td><input type="checkbox"/></td></tr> <tr><td><input type="checkbox"/></td><td>5</td><td><input type="text"/></td><td><input type="checkbox"/></td><td><input type="checkbox"/></td><td><input type="checkbox"/></td></tr> <tr><td><input type="checkbox"/></td><td>6</td><td><input type="text"/></td><td><input type="checkbox"/></td><td><input type="checkbox"/></td><td><input type="checkbox"/></td></tr> <tr><td><input type="checkbox"/></td><td>7</td><td><input type="text"/></td><td><input type="checkbox"/></td><td><input type="checkbox"/></td><td><input type="checkbox"/></td></tr> <tr><td><input type="checkbox"/></td><td>8</td><td><input type="text"/></td><td><input type="checkbox"/></td><td><input type="checkbox"/></td><td><input type="checkbox"/></td></tr> <tr><td><input type="checkbox"/></td><td>9</td><td><input type="text"/></td><td><input type="checkbox"/></td><td><input type="checkbox"/></td><td><input type="checkbox"/></td></tr> <tr><td><input type="checkbox"/></td><td>10</td><td><input type="text"/></td><td><input type="checkbox"/></td><td><input type="checkbox"/></td><td><input type="checkbox"/></td></tr> </tbody> </table>	Enable	No	Email	Alarm	Motion	Tampering	<input type="checkbox"/>	1	<input type="text"/>	<input type="checkbox"/>	<input type="checkbox"/>	<input type="checkbox"/>	<input type="checkbox"/>	2	<input type="text"/>	<input type="checkbox"/>	<input type="checkbox"/>	<input type="checkbox"/>	<input type="checkbox"/>	3	<input type="text"/>	<input type="checkbox"/>	<input type="checkbox"/>	<input type="checkbox"/>	<input type="checkbox"/>	4	<input type="text"/>	<input type="checkbox"/>	<input type="checkbox"/>	<input type="checkbox"/>	<input type="checkbox"/>	5	<input type="text"/>	<input type="checkbox"/>	<input type="checkbox"/>	<input type="checkbox"/>	<input type="checkbox"/>	6	<input type="text"/>	<input type="checkbox"/>	<input type="checkbox"/>	<input type="checkbox"/>	<input type="checkbox"/>	7	<input type="text"/>	<input type="checkbox"/>	<input type="checkbox"/>	<input type="checkbox"/>	<input type="checkbox"/>	8	<input type="text"/>	<input type="checkbox"/>	<input type="checkbox"/>	<input type="checkbox"/>	<input type="checkbox"/>	9	<input type="text"/>	<input type="checkbox"/>	<input type="checkbox"/>	<input type="checkbox"/>	<input type="checkbox"/>	10	<input type="text"/>	<input type="checkbox"/>	<input type="checkbox"/>	<input type="checkbox"/>	<p>SMTP Notification Handler</p> <p>SMTP Server</p> <p>Host Address</p> <p>Port</p> <p>Username</p> <p>Password</p> <p>Authentication</p>	<p>From: Specifies the email address of the sender</p> <p>Selects a desired trigger source. The options are Trigger Alarm Detection, Trigger Motion Detection, and Trigger Tampering Alarm.</p> <p>Host Address: Specifies the host name or IP address of the SMTP server.</p> <p>Port: Specifies the port number of the SMTP server.</p> <p>Username: Specifies the login username of the SMTP server.</p> <p>Password: Specifies the login password of the SMTP server.</p> <p>Authentication: Specifies the authentication mode of the SMTP sever. The options are NO_AUTH, SMTP_PLAIN, LOGIN and TLS_TLS.</p>
Enable	No	Email	Alarm	Motion	Tampering																																																															
<input type="checkbox"/>	1	<input type="text"/>	<input type="checkbox"/>	<input type="checkbox"/>	<input type="checkbox"/>																																																															
<input type="checkbox"/>	2	<input type="text"/>	<input type="checkbox"/>	<input type="checkbox"/>	<input type="checkbox"/>																																																															
<input type="checkbox"/>	3	<input type="text"/>	<input type="checkbox"/>	<input type="checkbox"/>	<input type="checkbox"/>																																																															
<input type="checkbox"/>	4	<input type="text"/>	<input type="checkbox"/>	<input type="checkbox"/>	<input type="checkbox"/>																																																															
<input type="checkbox"/>	5	<input type="text"/>	<input type="checkbox"/>	<input type="checkbox"/>	<input type="checkbox"/>																																																															
<input type="checkbox"/>	6	<input type="text"/>	<input type="checkbox"/>	<input type="checkbox"/>	<input type="checkbox"/>																																																															
<input type="checkbox"/>	7	<input type="text"/>	<input type="checkbox"/>	<input type="checkbox"/>	<input type="checkbox"/>																																																															
<input type="checkbox"/>	8	<input type="text"/>	<input type="checkbox"/>	<input type="checkbox"/>	<input type="checkbox"/>																																																															
<input type="checkbox"/>	9	<input type="text"/>	<input type="checkbox"/>	<input type="checkbox"/>	<input type="checkbox"/>																																																															
<input type="checkbox"/>	10	<input type="text"/>	<input type="checkbox"/>	<input type="checkbox"/>	<input type="checkbox"/>																																																															
	Recipient List	<p>Specifies the email address to send the email when selected events are triggered by Alarm, Motion, or Tamper. A maximum of 10 email addresses can be configured.</p>																																																																		



<p style="text-align: center;"><b>Network Storage</b> ▾</p> <p><b>Login Certificate</b></p> <p>Username : <input type="text"/></p> <p>Password : <input type="password"/></p> <p><b>Recipient Setup</b></p> <p>Network Storage Status : not_mounted</p> <p>Network Address : <input type="text"/></p> <p>Folder Name : <input type="text"/></p> <p>Record Type : <input type="text" value="Video"/></p> <p>Mount and Remove Network Storage</p> <p><input type="button" value="Mount"/> <input type="button" value="Remove"/></p> <p><b>Network Storage Handler</b></p> <p><input type="checkbox"/> Enable Trigger Event</p> <ul style="list-style-type: none"> <li><input type="radio"/> Trigger Alarm Detection</li> <li><input type="radio"/> Trigger Motion Detection</li> <li><input type="radio"/> Trigger Tampering Alarm</li> <li><input type="radio"/> Trigger Scheduled</li> </ul>	<p>Login Certificate</p> <p>Recipient Setup</p> <p>Network Storage Status</p> <p>Network Address</p> <p>Folder Name</p> <p>Record Type</p> <p>Mount and Remove Network Storage</p>	<p>Specifies the login Username and Password for the network storage sever.</p> <p><b>Network Storage Status:</b> Displays the current status of the connection with the network storage server. ( not_mounted or ok)</p> <p><b>Network Address:</b> Specifies the IP address of the network storage server.</p> <p><b>Folder Name:</b> Specifies the folder name on the network storage server.</p> <p><b>Recoding Type:</b> Specifies the desired action when an event is triggered. The options are <b>Snapshot</b> and <b>Video</b>.</p> <p><b>Mount:</b> Sets up a network connection with the network storage server. All the video recordings or snapshots from event triggers will be uploaded to the network storage server. After the setting is complete, the Network Storage Status field will display “ok”.</p> <p><b>Remove:</b> Deletes the previous setting. After the setting is removed, the Network Storage Status field will display “not_mounted”.</p>
<p style="text-align: center;"><b>SD Card</b></p> <p><input type="checkbox"/> Enable</p> <ul style="list-style-type: none"> <li><input type="radio"/> Trigger Alarm Detection</li> <li><input type="radio"/> Trigger Motion Detection</li> <li><input type="radio"/> Trigger Tampering Alarm</li> <li><input type="radio"/> Manual Record</li> </ul>	<p>Enable</p>	<p>Enables and selects a desired trigger source. The options are Trigger Alarm Detection*, Trigger Motion Detection, Trigger Tampering Alarm, and Manual Record.</p> <p><i>*This function is supported depends on models.</i></p>

<p><b>SD Card Information</b></p> <p>Available Storage 0 MBytes</p> <p><a href="#">Format SD Card</a></p> <p>Usage 0% ( 0 / 0 MBytes)</p> <p>Status not_mounted</p> <p>Overwrite when storage full <input checked="" type="checkbox"/></p> <p>Record Type <span>Video</span></p>	<p>SD Card Information</p> <p>Available Storage</p> <p>Format SD Card</p> <p>Usage</p> <p>Status</p> <p>Overwrite when storage full</p> <p>Record Type</p>	<p><b>Available Storage:</b> Displays the available storage of the SD card if it is installed.</p> <p><b>Format SD Card:</b> Erases all the data stored on the SD Card.</p> <p><b>Usage:</b> Displays the total storage that has been used now.</p> <p><b>Status:</b> Displays the status whether the SD card is installed or not. ( not_mounted or ok)</p> <p><b>Overwrite when storage full:</b> Enables overwriting the SD card if the storage is full.</p> <p><b>Recording Type:</b> Specifies the desired action to record a stream. The options are Snapshot and Video.</p>
--	--	---

## System Options



Menu	Feature	Description
<p><b>System Options</b></p> <p><b>Firmware Upgrade</b> Please select a file to update: File Name : <input type="text"/> <input type="button" value="Browse..."/> <input type="button" value="Upgrade"/></p> <p><b>Download Log</b> <input type="button" value="Download"/></p> <p><b>Reboot &amp; Restore Settings</b> <input type="button" value="Reboot the Camera"/> <input type="button" value="Restore to Factory Default Settings Except Network Settings"/> <input type="button" value="Restore to Factory Default Settings"/></p>	Firmware Upgrade	Clicks <b>Browse</b> to choose the firmware upgrade file, and then clicks <b>Upgrade</b> .
	Download Log	Records all the status information of the camera in list format. Downloads the log file to the computer as a text file.  <i>Note: The log file is protected by a password. Please contact with Arecont Vision technical support team.</i>
	Reboot & Restore Settings	<p><b>Reboot the Camera:</b> Reboots the camera.</p> <p><b>Restore Factory Default Settings Except Network Settings:</b> Restores all settings to factory default except the network settings.</p> <p><b>Restore to Factory Default Settings:</b> Restores all settings to factory default.</p>
	<p>Reboot the Camera</p> <p>Restore Factory Default Settings Except Network Settings</p> <p>Restore to Factory Default Settings</p>	
<p><b>Date/Time</b></p> <p>Get Time from: <input type="radio"/> NTP Server <input checked="" type="radio"/> Computer System</p> <p>Time Zone: <input type="text" value="America"/> <input type="text" value="Los_Angeles"/></p> <p>NTP Server: <input type="text" value="time.nist.gov"/></p> <p><input type="button" value="Apply NTP Server Configuration"/> <input type="button" value="Update Time from the Computer"/></p> <p><small>* Select NTP Server option to synchronize time with the NTP server and enter server configuration. * Select Computer System option to synchronize time with the computer system via camera web page. * Set up appropriate gateway before configuring the NTP server.</small></p>	Get Time from NTP Server Computer System	<p><b>NTP Server:</b> Synchronizes the date/time information with defined NTP server. After setting up the desired Time zone and NTP Server, clicks <b>Apply NTP Server Configuration</b>.</p> <p><i>Note: Please make sure set up appropriate gateway before configuring the NTP server.</i></p> <p><b>Computer System:</b> Synchronizes the date/time information with current computer's date/time. Once this option selected, clicks <b>Update Time from the computer</b>.</p>
	Time Zone	Specifies the country/ city of the time zone from the drop down menu.
	NTP Server	Specifies the desired NTP server

## Administration



Menu	Feature	Description
<p style="text-align: center;"><b>Administration</b></p> <hr/> <p><b>Access Control</b> <small>(Passwords can be up to 16 letters, digits and symbols, excluding following symbols for passwords without encoding # % &amp; ' " &lt; &gt; / [ ] { } _ ( ) = . + ,)</small></p> <p><b>Administrator</b> Username : admin Admin Password : <input type="password"/> Confirmation : <input type="password"/> <input type="button" value="Set"/> <input type="button" value="Erase"/></p> <p><b>Viewer Management</b> User List: <input type="text" value=""/> <input type="button" value="New User"/> <input type="button" value="Delete User"/></p> <p style="text-align: center;"><u>User Information</u></p> <p>User Name: <input type="text"/> Viewer Password : <input type="password"/> Confirmation : <input type="password"/> Access Level : <input type="radio"/> Admin <input type="radio"/> Viewer <input type="button" value="Set"/> <input type="button" value="Erase"/></p>	<p>Access Control</p> <p>Administrator</p> <p>Username</p> <p>Admin Password</p> <p>Confirmation</p> <p>Set/ Erase</p>	<p>Passwords can be up to 16 letters, digits and symbols, excluding following symbols for passwords without encoding # % &amp; ' " &lt; &gt; / [ ] { } _ ( ) = . + ,</p> <p><b>Username:</b> The username of Administrator is admin and cannot be changed.</p> <p><b>Admin:</b> full access to all camera settings and live video.</p> <p><b>Admin Password:</b> Specifies the password for the administrator.</p> <p><b>Confirmation:</b> Re-enters the password for the password validation.</p> <p><b>Set/ Erase:</b> Saves or removes the password.</p> <p><i>Note: If admin password was set but has been lost, it can be erased by AV IP Utility using the key file. Please contact Arecont Vision technical support to obtain the key file required to perform this function. Or, if the camera has a reset button, you can also reset to Factory default for removing the password.</i></p>

	<p>Viewer Management</p> <p>User List</p> <p>User Name</p> <p>Viewer Password</p> <p>Confirmation</p> <p>Access Level</p> <p>Set/ Erase</p>	<p><b>User List:</b> Displays current user accounts created on the camera. Clicks <b>New User/ Delete User</b> to create or remove a user account.</p> <p><b>User Name:</b> Specifies the user name. It must be at least five and up to sixteen characters.</p> <p><b>Viewer Password:</b> Specifies the password for the viewer.</p> <p><b>Confirmation:</b> Re-enters the password for the password validation.</p> <p><b>Access Level:</b> Defines the authorization level for the user: <b>Admin</b> or <b>Viewer</b>.</p> <p><b>Set/ Erase:</b> Save or removes the password.</p>
--	---	--

## About



Menu	Feature	Description
<p><b>About</b></p> <hr/> <p>Model Name : AV02CMB-100</p> <p>Firmware : 35100.25</p> <p>Serial Number : 180301081</p> <p>MAC Address : 00-1a-07-18-a9-f1</p>	About	Displays the information of the camera: Model Name, Firmware, Serial Number, and MAC Address.

## Support



Menu	Feature	Description
<p><b>Support</b></p> <hr/> <ul style="list-style-type: none"> <li>• <a href="#">Resources</a></li> <li>• <a href="#">Online Support Request</a></li> <li>• <a href="#">Firmware Downloads</a></li> <li>• <a href="#">Software Downloads</a></li> <li>• <a href="#">Technical Updates</a></li> <li>• <a href="#">Product Selector</a></li> <li>• <a href="#">Downloads</a></li> </ul>	Support	Provides several useful hyperlinks for users who would like to get more information of the camera.

# **Arecont Vision**<sup>®</sup>

**A COSTAR COMPANY**

© 2018 Arecont Vision

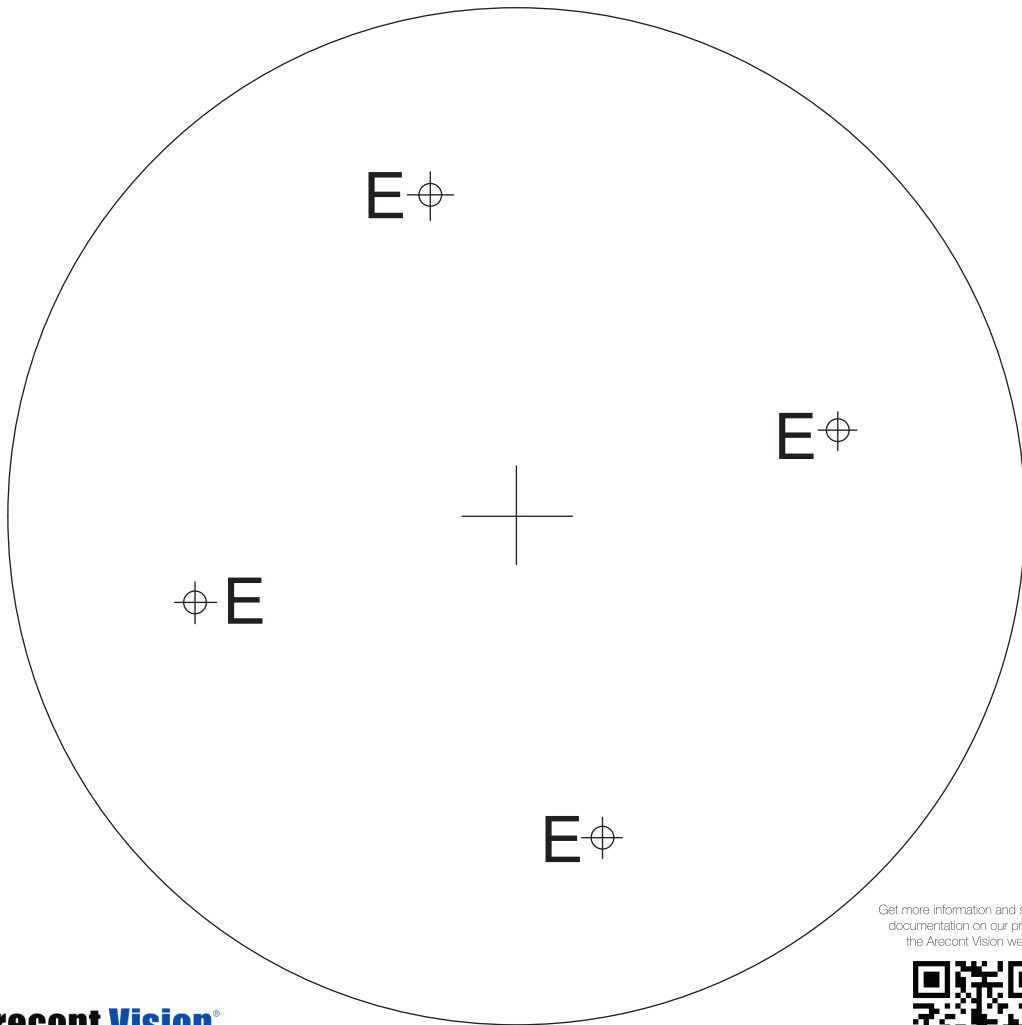
All rights reserved. No part of this publication may be reproduced by any means without written permission from Arecont Vision.

The information in this publication is believed to be accurate in all respects. However, Arecont Vision cannot assume responsibility for any consequences resulting from the use thereof.

The information contained herein is subject to change without notice. Revisions or new editions to this publication may be issued to incorporate such changes.



# Mounting Template



165mm

**Arecont Vision**  
A COSTAR COMPANY

+1.818.937.0700 | [www.arecontvision.com](http://www.arecontvision.com)  
425 E. Colorado St., 7th Floor, Glendale, CA 91205, U.S.A.

Get more information and supporting documentation on our product at the Arecont Vision website.



<http://www.arecontvision.com/downloads.php>

165mm