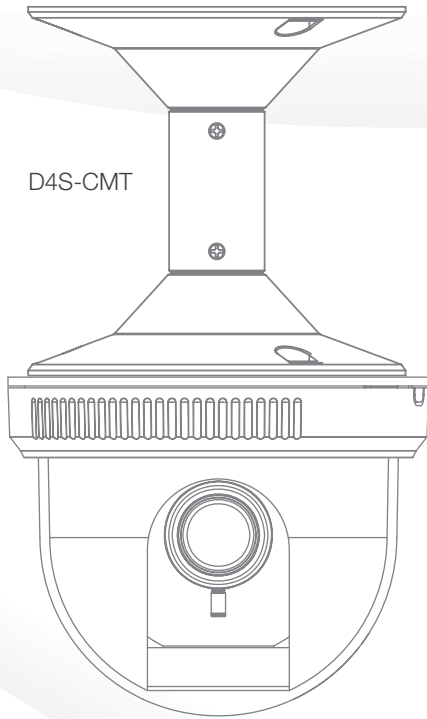


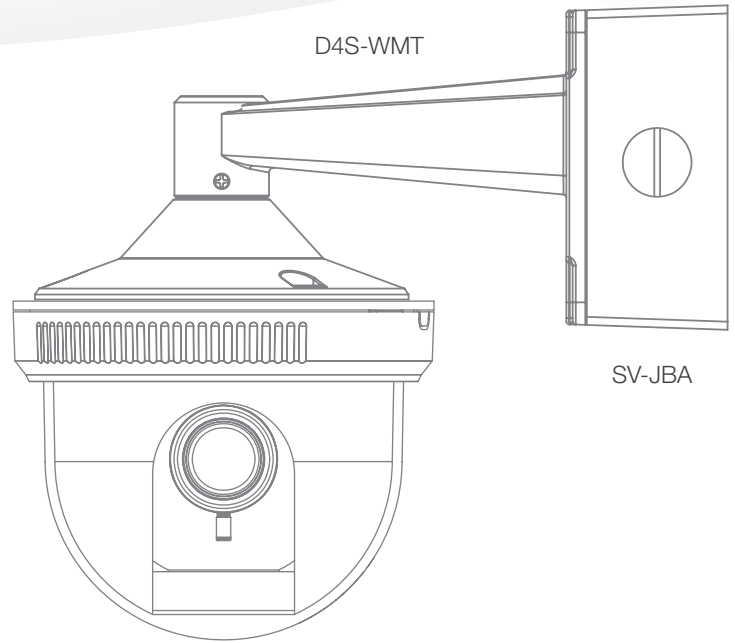
MegaVideo[®] Compact D4 Series Accessories

Accessories for MegaVideo[®] Compact D4S and D4S Housing Indoor Ceiling and Wall Mounting Solutions



D4S-CMT

Ceiling Mount Configuration



D4S-WMT

SV-JBA

Wall Mount Configuration

Model Compatibility

1.3 Megapixel	1080p	3 Megapixel	5 Megapixel
D4S-AV1115v1-3312	D4S-AV2115v1-3312	D4S-AV3115v1-3312	D4S-AV5115v1-3312
D4S-AV1115DNv1-3312	D4S-AV2115DNv1-3312	D4S-AV3115DNv1-3312	D4S-AV5115DNv1-3312



D4S Indoor Surface Mount Dome

D4S-CMT

Pendant Mount

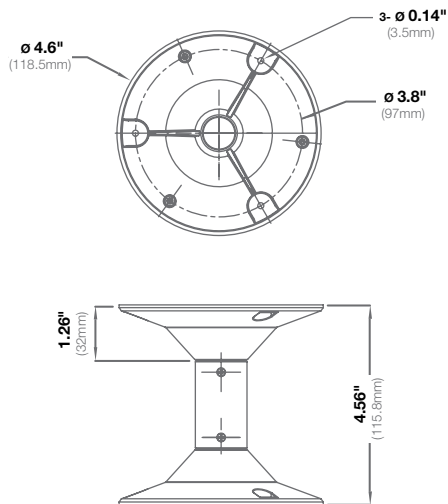


Features:

- Easy Installation and Superior Design
- Heavy Duty Enclosure Protection for Applications in Harsh Environments
- Di-Cast Aluminum is Resistant to Impact and Salt Damage

Compatibility	Compatible with 3/4" NPT standard
	Works with MegaBall® and MegaBall® 2 surface mount domes and MegaVideo® Compact D4S (surface mount dome)

Mechanical	Casing Material	Aluminum
	Color	Ivory (Pantone cool gray 1c)
	Dimensions	Ø 4.6" (118.5mm) x 4.58" H (115.8mm)
	Weight	w/o Camera 0.46lbs (0.21kg)



D4S-WMT

Wall Mount

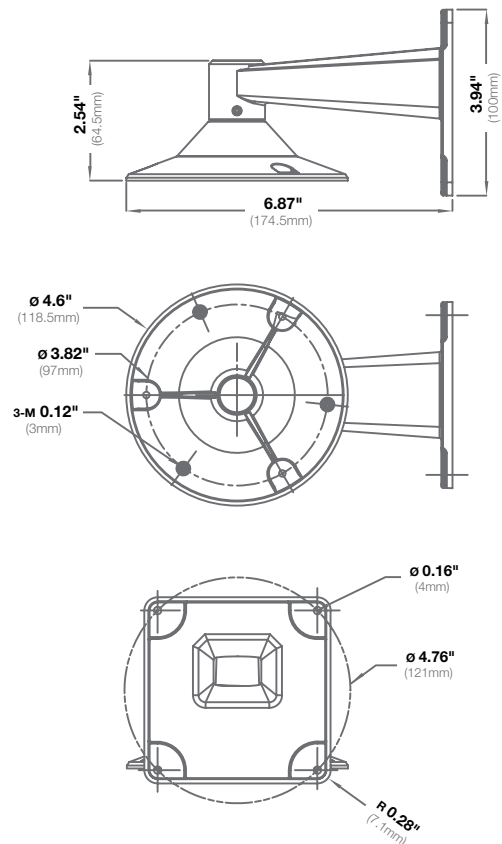


Features:

- Easy Installation and Superior Design
- Heavy Duty Enclosure Protection for Applications in Harsh Environments
- Di-Cast Aluminum is Resistant to Impact and Salt Damage

Compatibility	Compatible with 3/4" NPT standard
	Works with MegaBall® and MegaBall® 2 surface mount domes and MegaVideo® Compact D4S (surface mount dome)

Mechanical	Casing Material	Aluminum
	Color	Ivory (Pantone cool gray 1c)
	Dimensions	Ø 4.6" (118.5mm) x 3.93" H (100mm)
	Weight	w/o Camera 0.54lbs (0.25kg)



SV-JBA

Junction Box Adapter

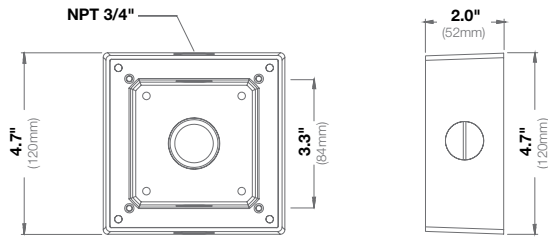


Features:

- Easy Installation and Superior Design
- Heavy Duty Enclosure Protection for Applications in Harsh Environments
- Di-Cast Aluminum is Resistant to Impact and Salt Damage

Compatibility Compatible with 3/4" NPT standard

Mechanical	Casing Material	Aluminum
		IP66 Outdoor Protection Grade
	Color	Ivory (Pantone cool gray 1c)
	Dimensions	4.7" L (120mm) x 4.7" W (120mm) x 2.0" H (52mm)
	Weight	w/o Camera 1.3lbs (0.63kg)



SV-EBA

Electrical Box Adapter



Features:

- Easy Installation and Superior Design
- Heavy Duty Enclosure Protection for Applications in Harsh Environments
- Di-Cast Aluminum is Resistant to Impact and Salt Damage

Compatibility Compatible with 3/4" NPT standard

Mechanical	Casing Material	Aluminum
	Color	Ivory (Pantone cool gray 1c)
	Dimensions	4.7" L (120mm) x 4.7" W (120mm) x 0.15" H (4mm)
	Weight	w/o Camera 0.3lbs (0.13kg)

