

ConteralP® Panoramic Megapixel Cameras

8 or 20 Megapixel (MP) H.265/H.264 All-in-One 180° Panoramic True Day/Night Indoor/Outdoor Dome IP Camera with SNAPstream+™ (Smart Noise Adaptation and Processing), Enhanced WDR™ (Wide Dynamic Range), NightView™, and IR LEDs

H.265



ConteralP® Panoramic megapixel cameras provide an all-in-one solution for wide-area video surveillance. Four sensors and lenses are housed in an outdoor-rated IP66 and IK-10 impact-resistant dome enclosure. The cameras are available in a 180° configuration and resolutions of 8- and 20-megapixel (MP). A single ConteralP Panoramic camera can replace multiple conventional cameras with the ability to zoom into multiple regions of interest. Their return on investment is easily measured any way you view it.




Regardless of the time of day, the ConteralP Panoramic is prepared for any lighting condition. For applications with poor lighting conditions, Enhanced WDR™ (wide dynamic range) at 120dB provides the best visual balance to shaded and bright light conditions.

For clear color images in low-light, NightView™ offers strong low-light sensitivity for capturing details in extremely poor-lit scenes, which is further enhanced by LED illumination built into each sensor gimbal.

AV Costar™ was the first to bring H.264 to the mainstream market and recently developed SNAPstream™ (Smart Noise Adaptation and Processing) technology for reducing bandwidth without impacting image quality. Today we are proud to offer our next generation H.265 with SNAPstream+™ smart codec capable of delivering high quality video while saving over 50% of the data rate to reduce or prevent strain on the network.

The SD card slot supports up to 256GB of storage capacity for convenient onboard storage. The camera's power can be supplied via a Power-over-Ethernet (PoE - IEEE 802.3at) compliant network cable connection.

The ConteralP Panoramic is ONVIF (Open Network Video Interface Forum) Profile S, G, and T compliant, providing interoperability between network video products regardless of manufacturer.

									
180° Panoramic	SNAPstream+™ Technology	NightView™	Enhanced WDR™ Wide Dynamic Range	IR LEDs	True Day/Night with Mechanical IR Cut Filter	SDXC Card Slot	Tri-Encoder H.265/H.264/MJPEG	Impact / Weather Resistant IK-10 and IP66 Rated	All-in-One PoE and Integrated Lens

Series Features

- 8MP or 20MP Resolution
- SNAPstream+™ Capability to Reduce Bandwidth without Impacting Image Quality
- NightView™ for Strong Low Light Performance
- True Day/Night Functionality with Mechanical IR Cut Filter
- Enhanced WDR™ up to 120dB at Full Resolution: See Clearly in Shaded and Bright Light Conditions Simultaneously
- Forensic Zooming – Zoom Live or After the Event While Recording Full Field-of-View in HD – Replace PTZ Devices
- Privacy Mask, Motion Detection, Bit Rate Control, Multi-Streaming, Multicasting, and Scaling
- On-Screen Display (OSD)
- Triple Encoder: H.265/H.264/MJPEG
- Network Protocols Include SNMP, HTTPS, IPv6, DHCP, 802.1x, and More
- All-in-One H.265/H.264 Total PoE Solution (No External Power Required for Heater and IR LEDs) PoE and Auxiliary Power: 12V DC/24V AC
- IR Illumination on All Four Sensors
- MicroSDXC Card Slot for Onboard Storage
- Outdoor Rated IP66 and IK-10 Impact-Resistant Housing
- Easily Adjustable 2-Axis Camera Gimbal with 355° Pan and 90° Tilt
- Electrical Vertical and Horizontal Alignment to Locate Each Sensor Position

Camera Imaging Specifications

Model		AV08CPD-118	AV20CPD-118
Image Sensor		8MP (1080p x 4) CMOS Progressive Sensor	20MP (5MP x 4) CMOS Progressive Sensor
Optical Format		1/2.8"	1/2.9"
Minimum Illumination	Color (Day Mode)	0.05 Lux	0.1 Lux
	B/W (Night Mode)	0.005 Lux	0.01 Lux
Full FOV Resolution	Total	7680 H x 1080 V	10368 H x 1944 V
	Per Sensor	1920 H x 1080 V	2592 H x 1944 V
Scaling (See Scaling Resolutions Below)		Yes	Yes
IR Illumination		Yes	Yes
Dynamic Range		120dB	120dB
Frame Rates*	At Max Resolution	Up to 30fps (8MP)	Up to 30fps (20MP)**
	Multi-Stream	Up to 30fps (8MP) + 20fps (8MP)	Up to 15fps (20MP)** + 15fps (20MP)**
		Up to 30fps (8MP) + 30fps (3.7MP) + 5fps (0.9MP)	Up to 15fps (20MP)** + 15fps (20MP)** + 5fps (1.2MP)** Up to 30fps (20MP)** + 30fps (1.2MP)** + 5fps (1.2MP)**
Lens		M12, F2.0, 6.0mm, IR, H-FOV = 180°, V-FOV = 30°	M12, F2.2, 4.0mm, IR, H-FOV = 180°, V-FOV = 30°

Programmability

Optics	Fixed lens	
Low-Light Performance	NightView™ technology	
Programmable Shutter Speed	Auto/manual 0.1ms ~ 500ms	
Motion Detection	Real-time, 1024 detection zones	
Privacy Masking	Unlimited	
Backlight Compensation	Auto	
White Balance Mode	Auto/manual	
Gain Control	Auto	
Flicker Control*	5Hz-255Hz adjustable	
Scaling (Per Sensor)	8MP	1920x1080, 1280x720, 960x540, 640x480, 640x360, 320x240
	20MP	2592x1944, 2048x1536, 1920x1080, 1296x972, 1280x720, 640x480, 640x360, 320x240
Wide Dynamic Range	Adjustment between WDR and LDR modes	
Efficiency	SNAPstream+™ (Smart Noise Adaptation and Processing)	
	Bit rate and bandwidth limitation control	
Digital Image Alignment	8MP	+/- 6° vertical and +/- 9° horizontal
	20MP	+/- 2° vertical and +/- 4° horizontal
Miscellaneous	Programmable brightness, contrast, sharpness, saturation, hue	
Password	16-digit ASCII character password	
On-Screen Display (OSD)	Time/date/camera name/custom text	

Data Transmission

Compression Type	H.265/H.264 (MPEG-4, Part 10)/Motion JPEG
	21 levels of quality
Bit Rate Control	64K-8000K
Smart Codec	Smart GOP/Smart ROI
Transmission Protocols	SNMP, HTTP, HTTPS, IPv6, IPv4, SSL, TCP/IP, UPnP, UDP, RTCP, RTSP, RTP, SMTP, NTP, DHCP, FTP, 802.1x, Zero Configure
Network Interface	10/100/1000Mbps Ethernet, RJ45
Max Camera Bandwidth	30Mbps
Multi-Streaming	2 x H.265/H.264 stream, 1 x M-JPEG stream (per sensor)
Users	Live Viewing/Administrator for up to 10 clients

Event Management

Event Trigger	Motion detection, tampering detection, alarm in
Notifications	Send/record message via e-mail/FTP/NAS, record JPG/mp4

Compliance

Listings	UL (CB) UL60950-1, E489591
Industry Standard	ONVIF Profile S, G, T conformant
FCC Compliance	47 CFR 15 Class A
Environmental	RoHS, REACH, WEEE
Markings	CE: EN55032 Class A, EN55024, EN61000-3-2, EN61000-3-3, EN60950
Mechanical	IK-10 (EN62262), IP66 (EN60529)

Environmental

Operating Temperature	-20°C (-4°F) to +50°C (122°F)
Humidity	0% to 90% (non-condensing)
Storage Temperature	-40°C (-40°F) to +60°C (140°F)

* 30 frames per second (FPS) maximum with H.264 and H.265 compression at 60 Hertz (Hz), up to 25fps maximum at 50Hz

** Max FPS with Enhanced WDR™ turned on will be up to 50% of listed FPS

IR Illuminator

LEDs	8pcs
Projection Distance	100ft (30m) max

General Electrical

Alarm Input/Output	1 input (dry contact)/1 output (relay)	
Power Over Ethernet	IEEE 802.3at (PoE+) Total PoE solution (no external power requirement)	
Auxiliary Power	12V DC, 24V AC	
Power Consumption	8MP	21W PoE max
	20MP	24W PoE max

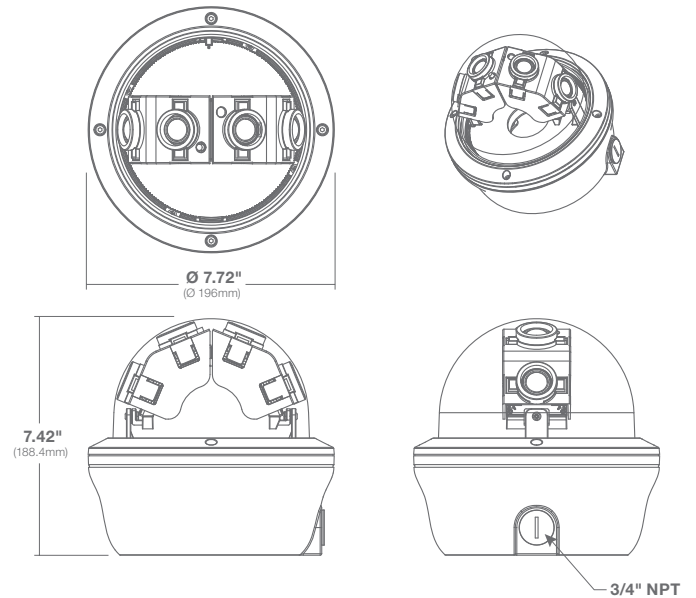
Audio Electrical

Streaming	Two-way
Compression	G.711 PCM 8 kHz
Input/Output	Line in*** / Line output

Mechanical

Casing	Die-cast aluminum chassis with 6.2" (157mm) polycarbonate dome bubble IP66 weather proof standard Impact resistant, IK-10 rated	
Gimbal	Easily adjustable, 2-axis w/355° pan and 90° tilt	
Dimensions <i>(See Dimensions)</i>	Unit	Ø 7.72" (196mm) x 7.42" H (188.4mm)
	Bubble Only	Ø 6.18" (157mm) x 4.15" H (105.5mm)
	Packaged	9.2" H (234mm) x 9.1" W (230mm) x 9.1" L (230mm)
Weight	Unit	5.51lbs (2.5kg)
	Packaged	6.17lbs (2.8kg)
On Board Storage	MicroSDXC slot up to 256GB (card not included)	
Body Color	AV Costar White (Pantone® Cool Gray 1C)	

Dimensions



*** Requires Amplification

See Next Page for Ordering Information



Model Numbers

8MP	AV08CPD-118	WDR
20MP	AV20CPD-118	WDR

Accessories (Sold Separately)

AV-CRMA-W	Wall Mount Bracket with Standard Junction Box (AV Costar™ White)
AV-EBAS-W	Square Electrical Box Adapter Plate (AV Costar™ White)
AV-PMA-W	Pole Mount Adapter (AV Costar™ White)
AV-PMJB-W	Pendant Mount Bracket with Standard Junction Box (AV Costar™ White) <i>(Fits Cap 1.5" NPT, Box Fits 3/4" NPT)</i>
AV-WMJB-W	Wall Mount Bracket with Standard Junction Box (AV Costar™ White) <i>(Fits Cap 1.5" NPT, Box Fits 3/4" NPT)</i>
CP-CAP-W	Mounting Cap for ConteraIP® Panoramic (AV Costar White)

Configurations



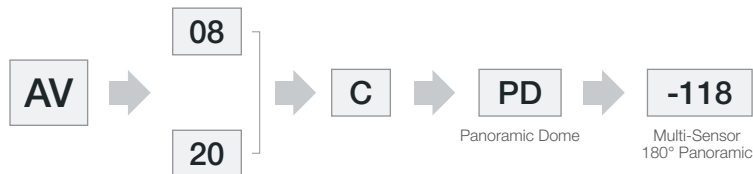
180° Panoramic

Create Your Model (Example: AV08CPD-118)

Megapixel Resolution

Contera Product Line

Body Type



+1.818.937.0700 | www.avcostar.com | avsales@arecontvision.com

© 2020 Arecont Vision Costar, LLC. All rights reserved. Arecont Vision, Contera, and ConteraIP are registered trademarks of the company. AV Costar, the AV Costar logo, Enhanced WDR, NightView, SNAPstream, and SNAPstream+ are business use trademarks of the company.

Rev 001.011

