

ConteralP® MicroDome® LX Megapixel Camera

2.1 (1080p), 5, or 8 Megapixel (MP) H.265/H.264 All-in-One True Day/Night Indoor/Outdoor Ultra Low Profile Dome IP Camera with SNAPstream+™ (Smart Noise Adaptation and Processing), Enhanced WDR™ (Wide Dynamic Range), NightView™, IR LED Models, and Video Analytics

H.265



Surface Mount (-S)

Flush Mount (-F)

The ConteralP® MicroDome LX megapixel cameras feature 2.1- (1080p), 5-, or 8-megapixel (MP) resolutions for optimum performance with a day/night mechanical IR cut filter and interchangeable lenses. Regardless of the time of day, the ConteralP MicroDome LX is prepared for any lighting condition. For applications with poor lighting conditions, Enhanced WDR (wide dynamic range) at 120dB provides the best visual balance to shaded and bright light conditions. For clear color images in low-light, NightView offers strong low-light sensitivity for capturing details in extremely poor-lit scenes, and is further enhanced by built-in IR LED illumination in both Surface Mount (-S) and Flush Mount (-F) models.

ConteralP MicroDome LX cameras deliver professional surveillance, with ease of installation and set-up, for a variety of network surveillance requirements. The three-axis lens adjustment provides users with more camera placement options and the remote focus module allows users to adjust the camera focus after installation. An innovative spring arm design makes in-ceiling -F model installations a snap: simply slide the camera through the hole and secure the magnetized cover ring with a single screw. No additional hardware is required. The ConteralP MicroDome LX camera series is available in an indoor, in-ceiling housing or in a surface mount

IP66 rated version for indoor and outdoor applications. All models feature a vandal resistant, IK-10 rated cast-aluminum housing with a polycarbonate bubble making it capable of withstanding the equivalent of 55 kg (120 lbs) of force.

All ConteralP MicroDome LX cameras now support on-camera analytics. Several behaviors are available with the included standard analytic package. For even more powerful behaviors, optional advanced analytics are available. The MicroDome LX also offers our next generation H.265 with SNAPstream+™ (Smart Noise Adaptation and Processing) smart codec capable of delivering high quality video while saving over 50% of the data rate to reduce or prevent strain on the network.

The MicroSDXC card slot supports up to 1TB of capacity for convenient onboard storage. The camera's power is supplied via a Power-over-Ethernet (PoE - IEEE 802.3af) compliant network cable connection.

The ConteralP MicroDome LX is ONVIF (Open Network Video Interface Forum) Profile S, G, M, and T conformant, providing interoperability between network video products regardless of manufacturer.



Series Features

- 2.1 (1080p), 5, or 8 Megapixel Resolution
- On-Camera Analytics
- Remote Focus Module
- Multiple Lens Options Available (Sold Separately)
- Easily Adjustable 3-Axis Gimbal
- Ultra Low Profile Design / Small Size Tamper-Resistant Housing
- SNAPstream+ Capability to Reduce Bandwidth without Impacting Image Quality
- NightView for Strong Low Light Performance
- True Day/Night Functionality with Mechanical IR Cut Filter
- Enhanced WDR up to 120dB at Full Resolution: See Clearly in Shaded and Bright Light Conditions Simultaneously
- CorridorView™ Allows 90° Image Rotation for Better Coverage in Hallways and Corridors
- Privacy Mask, Motion Detection, Bit Rate Control, Multi-Streaming, Multicasting, and Scaling
- On-Screen Display (OSD)
- Triple Encoder: H.265/H.264/MJPEG
- Network Protocols Include SNMP, HTTPS, IPv6, DHCP, 802.1x, and More
- All-in-One H.265/H.264 PoE Solution
- Integrated IR LEDs in All Models
- IK-10 Impact-Resistant Housing (All Models) and Outdoor Rated IP66 (-S Models)
- Spring-Arm Design for Very Easy Installation (-F Models)
- NDAA and TAA Compliant

Camera Imaging Specifications

Model		AV2856DNIR	AV5856DNIR	AV8856DNIR
Image Sensor		1080p (2.1MP) CMOS Progressive	5MP CMOS Progressive	8MP CMOS Progressive
Optical Format		1/2.8"	1/2.8"	1/2.8"
Minimum Illumination	Color (Day Mode)	0.04 Lux	0.15 Lux	0.18 Lux
	B/W (Night Mode)	0.004 Lux	0.015 Lux	0.018 Lux
Full FOV Resolution		1920 H x 1080 V	2592 H x 1944 V	3840 H x 2160 V
Scaling (See Scaling Resolutions Below)		Yes	Yes	Yes
IR Illumination		Yes	Yes	Yes
Dynamic Range		120dB	120dB	120dB
Frame Rates	Multi-Stream	WDR Off	Up to 60fps (1080p) + 60fps (1080p) + 30fps (360p)	Up to 30fps (8MP) + 30fps (1440p) + 30fps (360p)
		WDR On	Up to 30fps (1080p) + 30fps (1080p) + 30fps (360p)	Up to 30fps (8MP) + 30fps (1440p) + 30fps (360p)
Lens	Fixed Iris	MPM2.8C 2.8mm, 1/2.7", F/1.6, IR corrected, M12-mount		
	H-FOV	106.7°	98°	106.7°

Programmability

Optics	M12 lens and remote focus module	
Low-Light Performance	NightView technology	
	IR (All Models)	
Programmable Shutter Speed	Auto/manual 0.1ms ~ 500ms	
Motion Detection	Real-time, 1024 detection zones	
Privacy Masking	Unlimited	
Backlight Compensation	Auto	
White Balance Mode	Auto/manual	
Gain Control	Auto	
Flicker Control	5Hz-255Hz adjustable	
Image Rotation ¹	CorridorView (90°, 180°, and 270° image rotation) + mirror	
Scaling	1080p	1920x1080, 1280x720, 960x540, 640x480, 640x360
	5MP	2592x1944, 2048x1536, 1920x1080, 1296x972, 1280x720, 960x540, 640x480, 640x360
	8MP	3840x2160, 2592x1944, 2560x1440, 2048x1536, 1920x1080, 1600x1200, 1296x972, 1280x960, 1280x720, 960x540, 640x480, 640x360
Wide Dynamic Range	Adjustment between WDR and LDR modes	
Efficiency	SNAPstream+ (Smart Noise Adaptation and Processing)	
	Bit rate and bandwidth limitation control	
Miscellaneous	Programmable brightness, contrast, sharpness, saturation, hue	
Password	16-digit ASCII character password	
On-Screen Display (OSD)	Time/date/camera name/custom text	
Standard Video Analytics ²	Motion Detection	
	Camera Tamper	
	Intrusion Detection	
	Line Crossing	
	Loitering	
Optional Advanced Video Analytics ²	Object Classification (Person/Vehicle) ³	
	Object Left/Removed ³	
	People/Vehicle Counting ³	

1. Analytics will only function at 0° and 180° image rotation.
2. Analytics are not designed for heavy traffic locations such as roads and intersections
3. Requires Optional Advanced Video Analytic License

Data Transmission

Compression Type	H.265/H.264 (MPEG-4, Part 10)/Motion JPEG
Bit Rate Control	2MP: 64K-8000K; 5MP: 128K-8000K; 8MP: 512K-8000K
Smart Codec	Smart GOP
Transmission Protocols	SNMP, HTTP, HTTPS, IPv6, IPv4, SSL, TCP/IP, TLS 1.2, UPnP, UDP, RTCP, RTSP, RTP, SMTP, NTP, DHCP, FTP, 802.1x, QoS, DDNS, Zero Configure
	10/100Base-T Ethernet network interface, RJ45
Multi-Streaming	2 x H.265/H.264 stream, 1 x M-JPEG stream
Users	Live viewing/Administrator for up to 10 clients

Event Management

Event Trigger	Motion detection, tampering detection, alarm in
Notifications	Send a message via e-mail/FTP/NAS, SD Card Recording, Record JPG/MP4

Compliance

Industry Standard	ONVIF Profile S, G, M, and T conformant
Listings	UL60950-1, E489591
FCC Compliance	47 CFR 15 Class A
Environmental	RoHS, REACH, WEEE
Markings	CE: EN55032 Class A, EN55035, EN61000-3-2, EN61000-3-3, IEC 62471
Mechanical	IK-10 (EN62262), IP66 (EN60529) (-S Models Only)

Environmental

Operating Temperature	-5°C (23°F) to +50°C (122°F) (-F Models) -20°C (-4°F) to +50°C (122°F) (-S Models)
Humidity	0% to 90% (non-condensing)
Storage Temperature	-40°C (-40°F) to +60°C (140°F)

General Electrical

Alarm Input/Output	1 input (wet contact)/1 output (wet contact)	
Power Over Ethernet	PoE IEEE 802.3af, Class 3	
	Total PoE solution (no external power)	
Power Consumption	1080p	7.5W PoE max
	5MP	7.5W PoE max
	8MP	7.5W PoE max

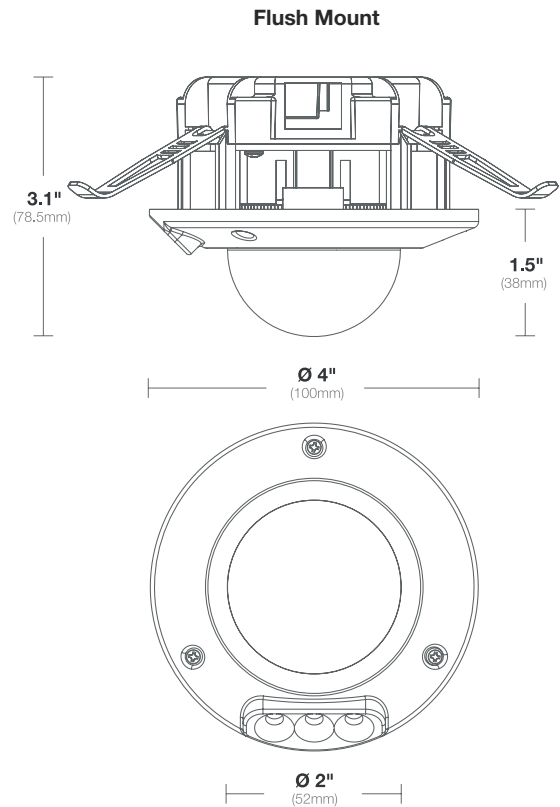
IR Illuminator

LEDs	3 pcs 850nm LEDs
Projection Distance	50ft (15m) IR distance (max) / 80° IR angle

Mechanical

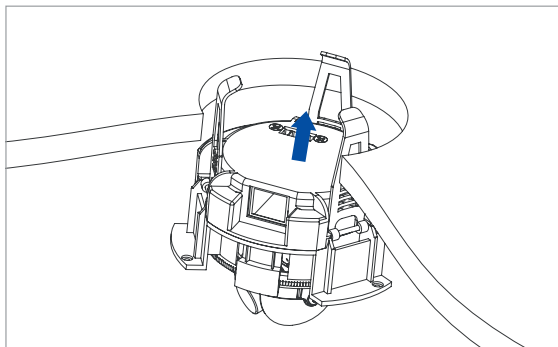
Casing	Tamper-resistant housing, IK-10 impact-resistant	
-F Model	In-ceiling mount with die-cast aluminum cover and 2" polycarbonate dome bubble	
-S Model	Surface mount with die-cast aluminum housing and 2" polycarbonate dome bubble	
	IP66 weather proof standard	
	3/8" NPT w/ 1/2" NPT adapter included	
Lens	2.8mm board mount (M12), fixed iris, F/1.6	
Gimbal	Easy 3-axis camera adjustment w/ 359° pan and 90° tilt and 360° z-axis	
Dimensions <i>(See Dimensions)</i>	Unit	Ø 4" (100mm) x 3.1" H (78.5mm)
	Packaged	5.6" W (142mm) x 5.6" L (142mm) x 3.5" H (90mm)
Weight	Unit	0.95lbs (0.43kg)
	Packaged	1.3lbs (0.6kg)
On Board Storage	MicroSDXC slot up to 1TB (card not included)	
Body Color	AV Costar White (Pantone® Cool Gray 1C)	

Dimensions

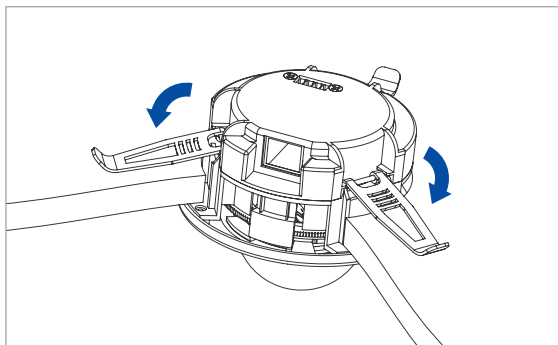


Quick Installation (Flush mount models)

- 1 Push the three spring actuated retention arms in the upward position.



- 2 The retention arms lock into place.



See Next Page for Ordering Information



Model Numbers

1080p	AV2856DNIR-F	WDR
	AV2856DNIR-S	WDR
5MP	AV5856DNIR-F	WDR
	AV5856DNIR-S	WDR
8MP	AV8856DNIR-F	WDR
	AV8856DNIR-S	WDR

Configurations



Lens Options (Sold Separately)

Model	Focal Length	Horizontal Field of View		
		1080p	5MP	8MP
MPM2.4D	2.4mm	134°	126°	135°
MPM2.8C ¹	2.8mm	106.7°	98°	106.7°
MPM4.0D	4mm	83.95°	78.24°	83.95°
MPM6.0D	6mm	51.27°	47.75°	51.27°
MPM8.0D	8mm	41.26°	38.56°	41.26°
MPM12.0D	12mm	26.62°	24.84°	26.62°
MPM16.0D	16mm	19.4°	18.09°	19.4°

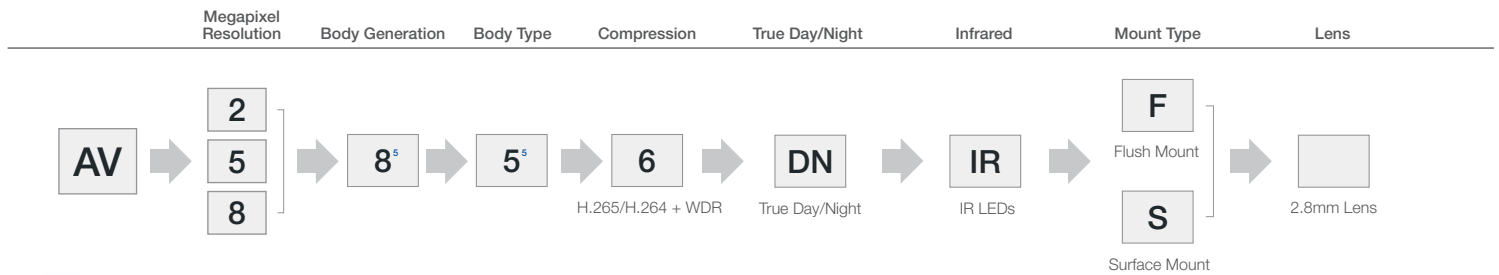
Optional Advanced Video Analytics License

C-SEC-ADV-1	ConteraIP Advanced Security Analytics Single Sensor License
--------------------	---

Accessories² (Sold Separately)

AV-CRMA-W	Corner Mount Adapter (AV Costar White)
AV-JBA-W³	Standard Junction Box (AV Costar White)
AV-PMA-W	Pole Mount Adapter (AV Costar White)
MCD-CMT-W	Pendant Mount and Cap with 1/2" NPT Standard for ConteraIP MicroDome LX Series (AV Costar White)
MCD-CRMT⁴	In-room Corner Mount Adapter for ConteraIP MicroDome LX Series (AV Costar Gray)
MCD-EBA	Round Electrical Box Adapter Plate for ConteraIP MicroDome LX Series (AV Costar Gray)
MCD-JBAS-W	Mount Plate for ConteraIP MicroDome LX Series for use with the AV-JBA-W (AV Costar White)
MCD-WMT-W	Wall Mount and Cap with 1/2" NPT Standard for ConteraIP MicroDome LX Series (AV Costar White)
MCD-4S⁴	Electrical Box Surface Mount Cover Fits 3rd Party 4-inch Square Box 2-1/8 Inch Deep (e.g. Lowe's® Item # 4788) for ConteraIP MicroDome LX Series (AV Costar Gray)

Create Your Model (Example: AV5856DNIR-S)



¹ Standard lens for ConteraIP MicroDome LX

² All accessories are compatible with -S models only

³ Use with MCD-JBAS-W

⁴ No IR function

⁵ "85" represents ConteraIP MicroDome LX product line



+1.818.937.0700 | www.avcostar.com | avsales@arecontvision.com

© 2023 Arecont Vision Costar, LLC. All rights reserved. Arecont Vision, Contera, and ConteraIP are registered trademarks of the company. AV Costar, the AV Costar logo, NightView, SNAPstream and SNAPstream+ are business use trademarks of the company.

Rev 002.003

