

# ConteralP® MicroDome® LX Megapixel Camera

1080p or 5 Megapixel (MP) H.265/H.264 All-in-One True Day/Night Indoor/Outdoor Ultra Low Profile Dome IP Camera with SNAPstream+™ (Smart Noise Adaptation and Processing), Enhanced WDR™ (Wide Dynamic Range), NightView™, and IR LED Models

H.265



The ConteralP® MicroDome LX megapixel cameras feature 1080p or 5-megapixel (MP) resolutions for optimum performance with a day/night mechanical IR cut filter and interchangeable lenses. Regardless of the time of day, the ConteralP MicroDome LX is prepared for any lighting condition. For applications with poor lighting conditions, Enhanced WDR (wide dynamic range) at 120dB provides the best visual balance to shaded and bright light conditions. For clear color images in low-light, NightView offers strong low-light sensitivity for capturing details in extremely poor-lit scenes, and is further enhanced in IR-S models by built-in IR LED illumination.

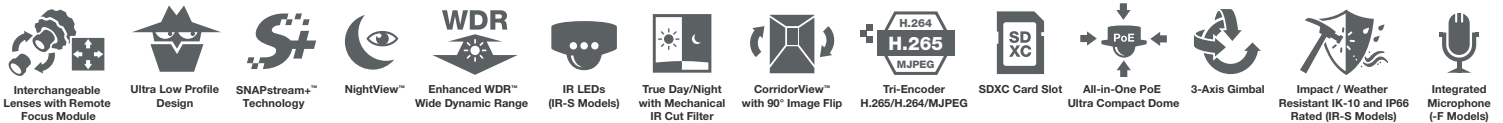
ConteralP MicroDome LX cameras deliver professional surveillance, with ease of installation and set-up, for a variety of network surveillance requirements. The three-axis lens adjustment provides users with more camera placement options and the remote focus module allows users to adjust the camera focus after installation. An innovative spring arm design makes in-ceiling -F model installations a snap: simply slide the camera through the hole and secure the magnetized cover ring with a single screw. No additional hardware is required. The ConteralP MicroDome LX camera series is available in an indoor, in-ceiling housing or in a surface mount

IP66 rated version for indoor and outdoor applications. All models feature a vandal resistant, IK-10 rated cast-aluminum housing with a polycarbonate bubble making it capable of withstanding the equivalent of 55 kg (120 lbs) of force.

AV Costar™ was the first to bring H.264 to the mainstream market and recently developed SNAPstream™ (Smart Noise Adaptation and Processing) technology for reducing bandwidth without impacting image quality. Today we are proud to offer our next generation H.265 with SNAPstream+ smart codec capable of delivering high quality video while saving over 50% of the data rate to reduce or prevent strain on the network.

The SD card slot supports up to 256GB of storage capacity for convenient onboard storage. The camera's power is supplied via a Power-over-Ethernet (PoE - IEEE 802.3af) compliant network cable connection.

The ConteralP MicroDome LX is ONVIF (Open Network Video Interface Forum) Profile S, G, and T compliant, providing interoperability between network video products regardless of manufacturer.



## Series Features

- 1080p (2.1MP) or 5MP Resolution
- Remote Focus Module
- Multiple Lens Options Available (Sold Separately)
- Easily Adjustable 3-Axis Gimbal
- Ultra Low Profile Design / Small Size
- SNAPstream+ Capability to Reduce Bandwidth without Impacting Image Quality
- NightView for Strong Low Light Performance
- True Day/Night Functionality with Mechanical IR Cut Filter
- Enhanced WDR up to 120dB at Full Resolution: See Clearly in Shaded and Bright Light Conditions Simultaneously
- CorridorView™ Allows 90° Image Rotation for Better Coverage in Hallways and Corridors
- Privacy Mask, Motion Detection, Bit Rate Control, Multi-Streaming, Multicasting, and Scaling
- On-Screen Display (OSD)
- Defog Technology
- Triple Encoder: H.265/H.264/MJPEG
- Network Protocols Include SNMP, HTTPS, IPv6, DHCP, 802.1x, and More
- All-in-One H.265/H.264 PoE Solution
- Integrated IR LEDs (IR-S Models)
- IK-10 Impact-Resistant Housing Outdoor Rated IP66 (IR-S Models)
- Audio In / Out (Accessory Sold Separately)
- Integrated Microphone (-F Models)
- Spring-Arm Design for Very Easy Installation (-F Models)
- Tamper-Resistant Housing

Camera Imaging Specifications

Model		AV2756DN-F	AV5756DN-F	AV2756DNIR-S	AV5756DNIR-S
Image Sensor		1080p (2.1MP) CMOS Progressive	5MP CMOS Progressive	1080p (2.1MP) CMOS Progressive	5MP CMOS Progressive
Optical Format		1/2.8"	1/2.8"	1/2.8"	1/2.8"
Minimum Illumination	Color (Day Mode)	0.04 Lux	0.10 Lux	0.04 Lux	0.10 Lux
	B/W (Night Mode)	0.004 Lux	0.010 Lux	0.004 Lux	0.010 Lux
Full FOV Resolution		1920 H x 1080 V	2592 H x 1944 V	1920 H x 1080 V	2592 H x 1944 V
Scaling (See Scaling Resolutions Below)		Yes	Yes	Yes	Yes
IR Illumination		No	No	Yes	Yes
Dynamic Range		120dB	120dB	120dB	120dB
Frame Rates <sup>1</sup>	Single Stream	Up to 30fps (1080p)	Up to 30fps (5MP) <sup>2</sup>	Up to 30fps (1080p)	Up to 30fps (5MP) <sup>2</sup>
	Multi-Stream	Up to 30fps (1080p) + 20fps (1080p)	Up to 15fps (5MP) <sup>2</sup> + 10fps (5MP) <sup>2</sup>	Up to 30fps (1080p) + 20fps (1080p)	Up to 15fps (5MP) <sup>2</sup> + 10fps (5MP) <sup>2</sup>
		Up to 30fps (1080p) + 30fps (720p) + 30fps (VGA)	Up to 30fps (1080p) <sup>2</sup> + 30fps (720p) <sup>2</sup> + 30fps (VGA) <sup>2</sup>	Up to 30fps (1080p) <sup>2</sup> + 30fps (720p) <sup>2</sup> + 30fps (VGA) <sup>2</sup>	Up to 30fps (1080p) + 30fps (720p) + 30fps (VGA)
Lens <sup>3</sup>	Fixed Iris	MPM2.8C 2.8mm, 1/2.7", F/2.0, IR corrected, M12-mount			
	H-FOV	106.7°	98°	106.7°	98°

Programmability

Optics	M12 lens and remote focus module	
Low-Light Performance	NightView technology	
	IR (IR-S models only)	
Programmable Shutter Speed	Auto/manual 0.1ms ~ 500ms	
Motion Detection	Real-time, 1024 detection zones	
Privacy Masking	Unlimited	
Backlight Compensation	Auto	
White Balance Mode	Auto/manual	
Gain Control	Auto	
Flicker Control*	5Hz-255Hz adjustable	
Image Rotation	CorridorView (90°, 180°, and 270° image rotation) + mirror	
Scaling	<b>1080p</b>	1920x1080, 1280x720, 960x540, 640x480, 640x360, 320x240
	<b>5MP</b>	2592x1944, 2048x1536, 1920x1080, 1296x972, 1280x720, 960x540, 640x480, 640x360, 320x240
Wide Dynamic Range	Adjustment between WDR and LDR modes	
Efficiency	SNAPstream+ (Smart Noise Adaptation and Processing)	
	Bit rate and bandwidth limitation control	
Defog	Supported	
Miscellaneous	Programmable brightness, contrast, sharpness, saturation, hue	
Password	16-digit ASCII character password	
On-Screen Display (OSD)	Time/date/camera name/custom text	

Data Transmission

Compression Type	H.265/H.264 (MPEG-4, Part 10)/Motion JPEG
Bit Rate Control	64K-8000K
Smart Codec	Smart GOP/Smart ROI
Transmission Protocols	SNMP, HTTP, HTTPS, IPv6, IPv4, SSL, TCP/IP, UPnP, UDP, RTCP, RTSP, RTP, SMTP, NTP, DHCP, FTP, 802.1x, QoS, DDNS, Zero Configure
	10/100Base-T Ethernet network interface, RJ45
Multi-Streaming	2 x H.265/H.264 stream, 1 x M-JPEG stream
Users	Live viewing/Administrator for up to 10 clients

Event Management

Event Trigger	Motion detection, tampering detection, alarm in
Notifications	Send a message via e-mail/FTP/NAS, SD Card Recording, Record JPG/MP4

Compliance

Industry Standard	ONVIF Profile S, G, and T conformant
Listings	UL60950-1, E489591
FCC Compliance	47 CFR 15 Class A
Environmental	RoHS, REACH, WEEE
Markings	CE: EN55032 Class A, EN55035, EN61000-3-2, EN61000-3-3, IEC 62471 (IR-S Models Only)
Mechanical	IK-10 (EN62262), IP66 (EN60529)

Environmental

Operating Temperature	-5°C (23°F) to +50°C (122°F) (-F Models) -20°C (-4°F) to +50°C (122°F) (IR-S Models)
Humidity	0% to 90% (non-condensing)
Storage Temperature	-40°C (-40°F) to +60°C (140°F)

General Electrical

Alarm Input/Output	1 input (wet contact)/1 output (wet contact)		
Power Over Ethernet	PoE IEEE 802.3af, Class 3		
	Total PoE solution (no external power)		
Power Consumption	1080p	-F Models	5.5W PoE max
		IR-S Models	7.5W PoE max
	5MP	-F Models	5.5W PoE max
		IR-S Models	7.5W PoE max

Audio Electrical

Streaming	Two-way
Compression	G.711 PCM 8 kHz
Input/Output	Line in <sup>4</sup> / Line output
Microphone	Integrated (-F models)

<sup>1</sup> 30 frames per second (FPS) maximum with H.264 and H.265 compression at 60 hertz (Hz), up to 25fps maximum at 50Hz  
<sup>2</sup> Max FPS with Enhanced WDR turned on will be up to 50% of listed FPS

<sup>3</sup> 2.8mm standard lens (not included with -NL models)  
<sup>4</sup> Requires Amplification

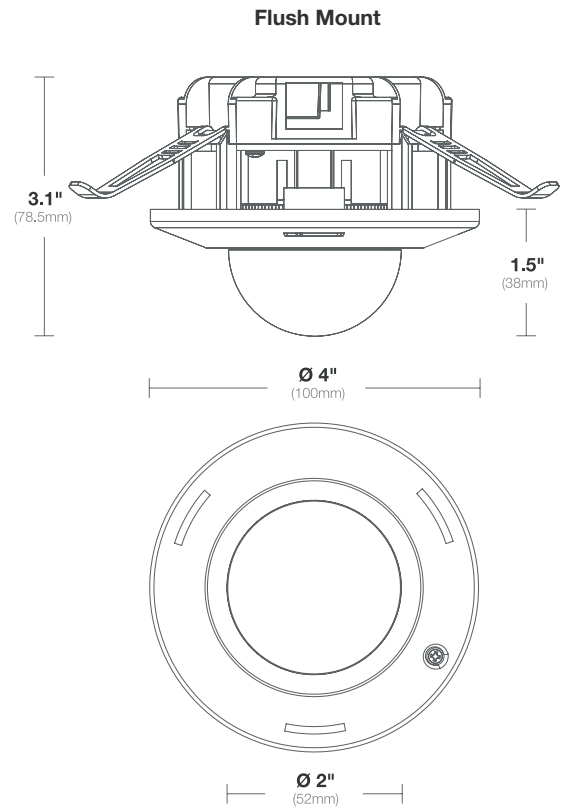
## IR Illuminator

<b>LEDs</b>	3 pcs 850nm LEDs
<b>Projection Distance</b>	50ft (15m) IR distance (max) / 80° IR angle

## Mechanical

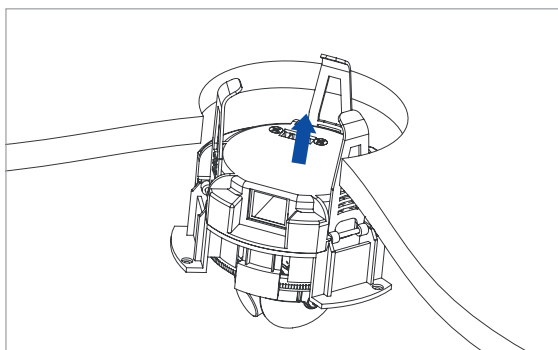
<b>Casing</b>	Tamper-resistant housing, IK-10 impact-resistant	
	<b>-F Model</b>	In-ceiling mount with die-cast aluminum cover and 2" polycarbonate dome bubble
	<b>IR-S Model</b>	Surface mount with die-cast aluminum housing and 2" polycarbonate dome bubble
		IP66 weather proof standard
		3/8" NPT w/ 1/2" NPT adapter included
<b>Lens</b>	2.8mm board mount (M12), fixed iris, F/2.0 (except -NL models)	
<b>Gimbal</b>	Easy 3-axis camera adjustment w/ 359° pan and 90° tilt and 360° z-axis	
<b>Dimensions</b> <i>(See Dimensions)</i>	<b>Unit</b>	Ø 4" (100mm) x 3.1" H (78.5mm)
	<b>Packaged</b>	5.6" W (142mm) x 5.6" L (142mm) x 3.5" H (90mm)
<b>Weight</b>	<b>Unit</b>	0.95lbs (0.43kg)
	<b>Packaged</b>	1.3lbs (0.6kg)
<b>On Board Storage</b>	MicroSDXC slot up to 256GB (card not included)	
<b>Body Color</b>	AV Costar White (Pantone® Cool Gray 1C)	

## Dimensions

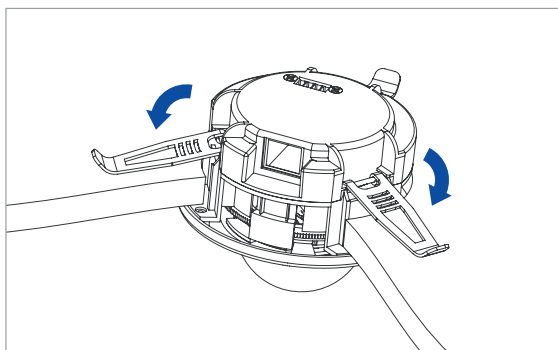


## Quick Installation (Flush mount models)

- 1 Push the three spring actuated retention arms in the upward position.



- 2 The retention arms lock into place.



See Next Page for Ordering Information



### Configurations



Flush Mount (-F)

Surface Mount with IR LEDs (-IR-S)

### Lens Options (Sold Separately)

Model	Focal Length	Horizontal Field of View	
		1080p	5MP
MPM2.4	2.4mm	135°	126°
MPM2.8C <sup>1</sup>	2.8mm	106.7°	98°
MPM4.0A <sup>2</sup>	4mm	74.7°	68.6°
MPM6.0 <sup>2</sup>	6mm	49.8°	45.7°
MPM8.0 <sup>2</sup>	8mm	37.3°	34.3°
MPM12.0A <sup>2</sup>	12mm	24.9°	22.9°
MPM16.0 <sup>3</sup>	16mm	18.7°	17.2°

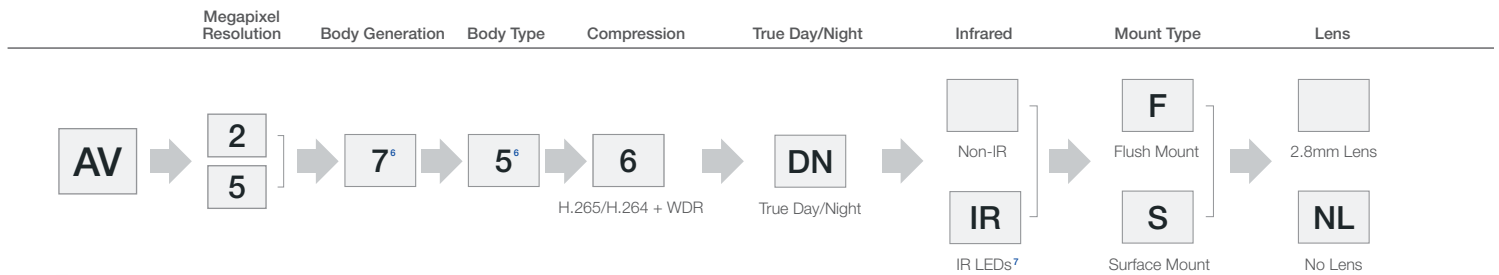
### Model Numbers

1080p	AV2756DN-F	WDR
	AV2756DNIR-S	WDR
	AV2756DN-F-NL	WDR
	AV2756DNIR-S-NL	WDR
5MP	AV5756DN-F	WDR
	AV5756DNIR-S	WDR
	AV5756DN-F-NL	WDR
	AV5756DNIR-S-NL	WDR

### Accessories<sup>3</sup>

AV-1AK	ConteraIP Optional Audio Kit
AV-CRMA-W	Corner Mount Adapter (AV Costar White)
AV-JBA-W <sup>4</sup>	Standard Junction Box (AV Costar White)
AV-PMA-W	Pole Mount Adapter (AV Costar White)
MCD-CMT-W	Pendant Mount and Cap with 1/2" NPT Standard for ConteraIP MicroDome LX Series (AV Costar White)
MCD-CRMT <sup>5</sup>	In-room Corner Mount Adapter for ConteraIP MicroDome LX Series (AV Costar Gray)
MCD-EBA	Round Electrical Box Adapter Plate for ConteraIP MicroDome LX Series (AV Costar Gray)
MCD-JBAS-W	Mount Plate for ConteraIP MicroDome LX Series for use with the AV-JBA-W (AV Costar White)
MCD-WMT-W	Wall Mount and Cap with 1/2" NPT Standard for ConteraIP MicroDome LX Series (AV Costar White)
MCD-4S <sup>5</sup>	Electrical Box Surface Mount Cover Fits 3rd Party 4-inch Square Box 2-1/8 Inch Deep (e.g. Lowe's® Item # 4788) for ConteraIP MicroDome LX Series (AV Costar Gray)

### Create Your Model (Example: AV5756DNIR-S)



<sup>1</sup> Standard lens for ConteraIP MicroDome LX except on -NL models

<sup>2</sup> Requires two spacers on focus module (included with lens)

<sup>3</sup> Requires a spacer on focus module (included with lens)

<sup>4</sup> All accessories except the AV-1AK are IR-S models only

<sup>4</sup> Use with MCD-JBAS

<sup>5</sup> No IR function

<sup>6</sup> "75" represents ConteraIP MicroDome LX product line

<sup>7</sup> Surface mount models only

