

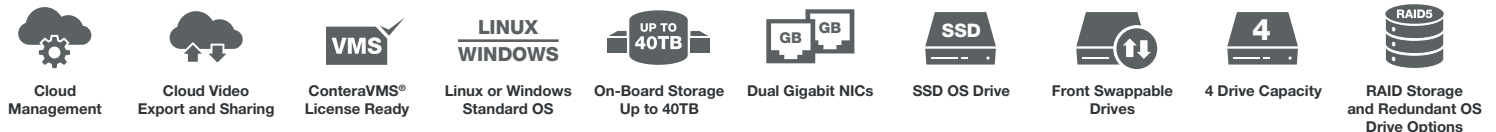
ConteraCMR® Compact NVR Server

40TB Max Storage Compact Video Recorder with Dual NIC, 128* Max Channel Count, and Rack Mountable



With full integration to ConteraWS® Web Services, the ConteraCMR® Compact NVR Server appliance offers centralized user management, single sign-on convenience, mobile apps and a web client that allows for easy remote connection to your recorders. Network setup is fast

and easy using ConteraWS Web Services, and eliminates the need for port forwarding or DDNS. The Compact NVR Server appliance runs on a secure Linux® or Microsoft® Windows® OS and comes preloaded with ConteraVMS® Server software as a turn key solution.



Centralized User Management

ConteraWS provides secure storage of all user profile information, allowing role-based management for hundreds of users and device permissions.



Health Monitoring

Cloud-based health monitoring ensures your cameras and recorders are working properly and minimum recording retention levels are being met.



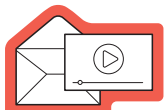
Alerts and Reports

ConteraWS grants insight into operational events at recorder locations and provides valuable business intelligence based on customer or employee activity.



Single Sign-on

Log into ConteraWS Web Services, ConteraVMS, and Arecont Vision Mobile using the same email address and password.



Clip Sharing

Export video clips to the cloud so they cannot be overwritten or lost. Share video clips via email with password protection.

Series Features

- Cloud Management with ConteraWS
- ConteraVMS Ready
- Cloud Video Export and Sharing
- 12, 16, 24, 32, or 40TB Storage Capacity
- 4 Removable Hard Disk Drives (HDDs)
- Linux OS (Optional Windows OS Upgrade) and Windows OS with RAID5
- 128* Max Channel Count
- IP Channel Upgrades
- Solid State OS Drive (SSD)
- Intel® Core™ i5 Processor (Optional i7)
- Dual NIC
- 2U Rack Mountable
- 3-Year Hardware Warranty
- 1-Year Advanced Replacement

* **JBOD:** 65-80 channels requires an additional 8GB System Memory and Windows Upgrade; 81-96 channels requires an additional 8GB System Memory, Windows Upgrade and an i7 processor.

RAID: 65-80 channels requires an additional 8GB System Memory; 81-128 channels requires an additional 8GB System Memory and an i7 processor.

Recorder Specifications

Model		AV-CSCXxxT (JBOD)	AV-CSCXxxTR (RAID)
Recording	Max Channel Count	64 (upgradeable to 96) ¹	64 (upgradeable to 128) ¹
	Recording Resolutions	Up to 4K ultra HD	
	Max Recording Rate	250Mbps	500Mbps
	Image Compression	H.264	
	Audio Support	IP camera audio (dependent on camera)	
Connections	Video Outputs	2 x HDMI (maximum one monitor support)	
	Maximum Display Resolution	4K	
	Network Port 1	Dedicated Intel GbE for client network	
	Network Port 2	Dedicated Intel GbE for camera network	
	Alarm Sensor Inputs	4 x Form A contacts	
	Digital Relay Outputs	4 x Form A contacts	
	USB Ports	Front: 2 x USB 3.0 ports Rear: 4 x USB 3.0 / 2 x USB 2.0	
Software	Operating System	Linux (Microsoft Windows optional)	Microsoft Windows
	Video Signal Loss Detection	Yes	
	Motion Detection	AV Costar camera side or ONVIF Profile S server side	
	Remote Operation	ConteraVMS thick client / thin (web) client / mobile apps	
	User Management	Web or local based user permissions and account management	
	Recording Mode	Continuous / Motion / Continuous + Motion / Live Only	
	Playback Search	Multi-channel playback / Calendar / Timeline / Thumbnail / Event (VMS and web client) / Object (VMS)	
	Clip Backup	DVD-RW / cloud / USB	
	Digital Signature Support	Yes	
	Web Connect	Yes	

General

Keyboard and Mouse	Included
Operating Temperature	Max temperature: 104°F (40°C)
OS Drive Configuration	Dedicated Solid State Drive
Maximum Storage Configuration	40TB (30 usable RAID models only)
Processor	Intel® Core™ i5
Rack Mount	Installation kit included
Warranty	3 Years, 1 year advanced replacement

Electrical

Input Voltage	300W (100V–240V auto switching)
Power Consumption	126.2W max

Compliance

IP Camera Support	AV Costar / ONVIF Profile S / RTSP
Certification	UL certified
CoO	Made in the USA

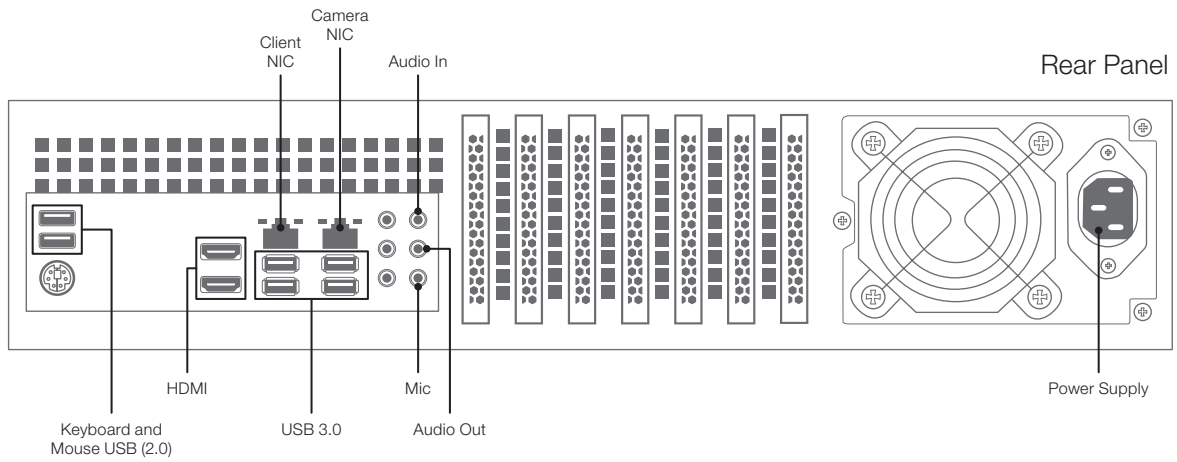
Mechanical

Dimensions <i>(See Dimensions)</i>	Unit	16.9" W (429.2mm) x 3.5" H (88mm) x 18" L (457.2mm)
	Packaged	24" W (610mm) x 11" H (279mm) x 33" L (838mm)
Weight	Unit	27lbs (12.25kg)
	Packaged	34lbs (15.42kg)

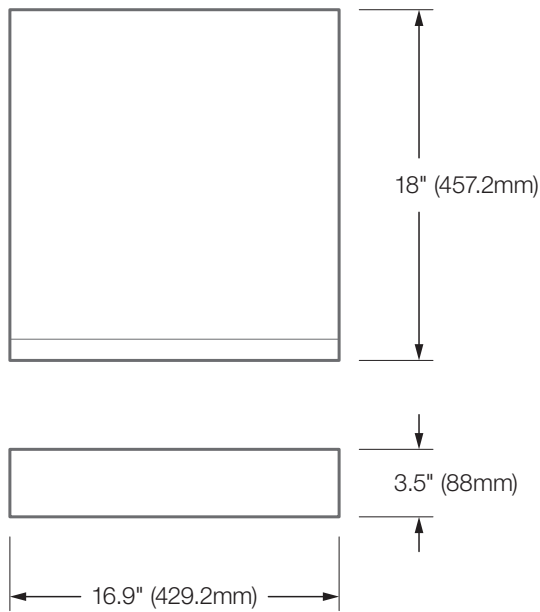
¹ **JBOD:** 65-80 channels requires an additional 8GB System Memory and Windows Upgrade; 81-96 channels requires an additional 8GB System Memory, Windows Upgrade and an i7 processor.

RAID: 65-80 channels requires an additional 8GB System Memory; 81-128 channels requires an additional 8GB System Memory and an i7 processor.

Controls and Connections



Dimensions



See Next Page for Ordering Information



Configurations



JBOD or RAID5

Model Numbers

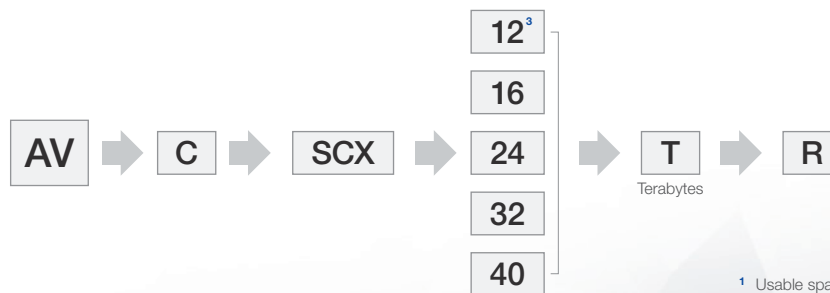
JBOD		
	AV-CSCX12T	
	AV-CSCX16T	
	AV-CSCX24T	
	AV-CSCX32T	
	AV-CSCX40T	
RAID5		
	AV-CSCX16TR	16TB RAID5 (12TB Usable) ¹
	AV-CSCX24TR	24TB RAID5 (20TB Usable) ¹
	AV-CSCX32TR	32TB RAID5 (24TB Usable) ¹
	AV-CSCX40TR	40TB RAID5 (30TB Usable) ¹

Factory Upgrades²

AV-CL2WUPG	Linux to Windows OS Upgrade
AV-CPERFUPGP	i5 to i7 processor upgrade for Compact NVR Server models
AV-CPERFUPRAM-8	8GB RAM Upgrade

Create Your Model (Example: AV-CSCX32TR)

Contera Series Compact NVR Server Default Storage Storage Type RAID5



¹ Usable space after allocating space for RAID5 redundant backup
² Factory upgrades must be ordered at the time of purchase
³ RAID5 not available



Software and Service Licenses

Part Number	Description
ConteraVMS	
ConteraVMS Software Licenses	
AV-CST1	ConteraVMS Standard 1 Channel Recording License w/ 1 Year ConteraWS Free
AV-CPM1	ConteraVMS Premium 1 Channel Recording License w/ 1 Year ConteraWS Free
AV-CPR1	ConteraVMS Professional 1 Channel Recording License w/ 1 Year ConteraWS Free
ConteraVMS Software Expansion Licenses	
AV-CST1-EXP	ConteraVMS Standard 1 Channel Expansion Recording License w/ 1 Year ConteraWS Free
AV-CPM1-EXP	ConteraVMS Premium 1 Channel Expansion Recording License w/ 1 Year ConteraWS Free
AV-CPR1-EXP	ConteraVMS Professional 1 Channel Expansion Recording License w/ 1 Year ConteraWS Free
ConteraVMS Software Upgrade Licenses	
AV-CSUBAPM	ConteraVMS Standard to Premium 1 Channel License Upgrade
AV-CSUPMPR	ConteraVMS Premium to Professional 1 Channel License Upgrade
ConteraWS	
ConteraWS (Web Services) Access License Including Software Updates	
AV-CWS1Y	ConteraWS 1 Year 1 Channel Access License
AV-CWS4Y	ConteraWS 4 Year 1 Channel Access License
AV-CWS4Y-PROMO	ConteraWS 4 Year 1 Channel Access License 16 Channel Promotion (Must be 16 Channel minimum and deployed on ConteraCMR hardware)
ConteraWS (Web Services) Cloud Storage Expansion	
AV-CWS1Y50GB	ConteraWS 50GB Cloud Storage Expansion (1 Year)