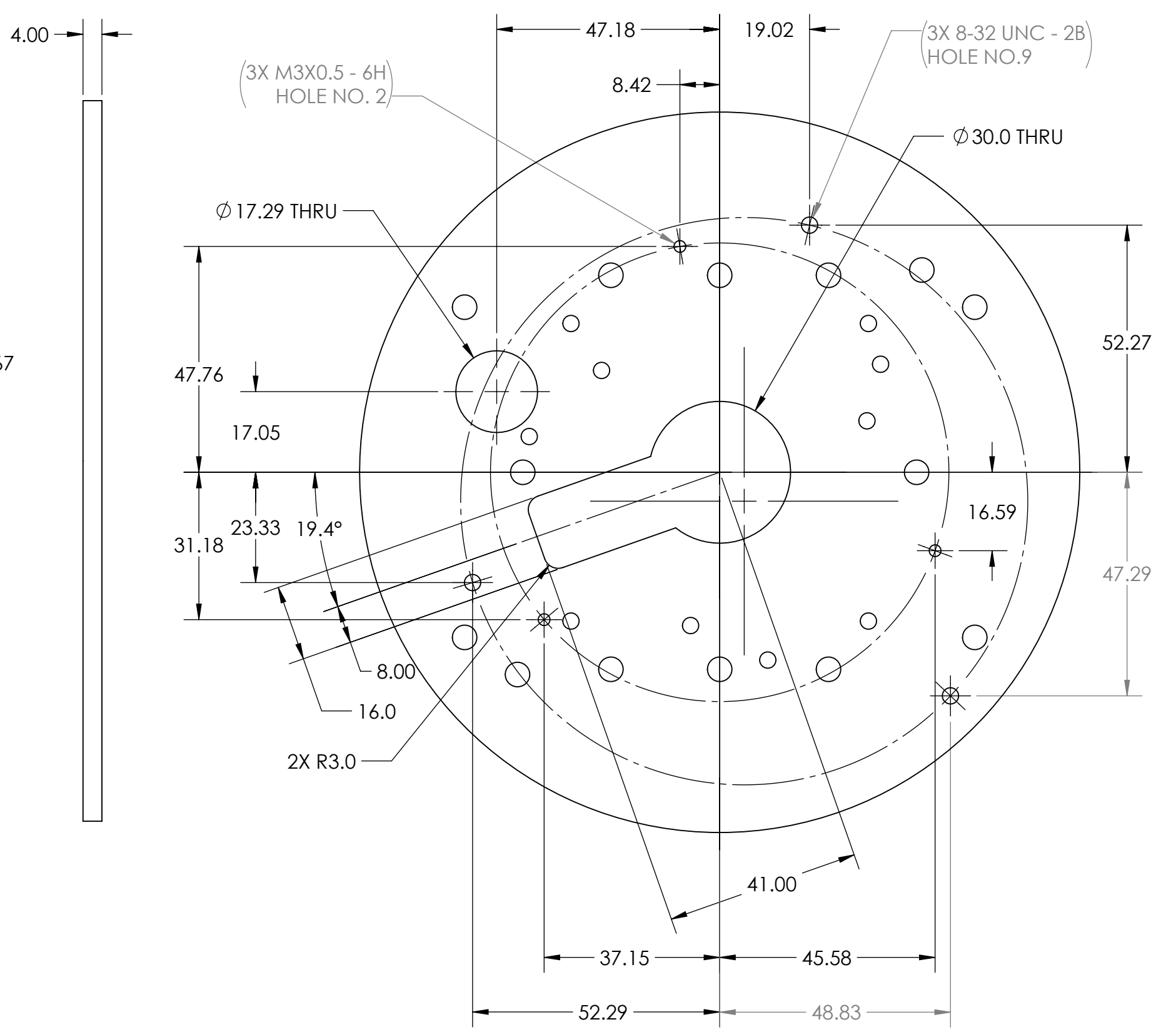
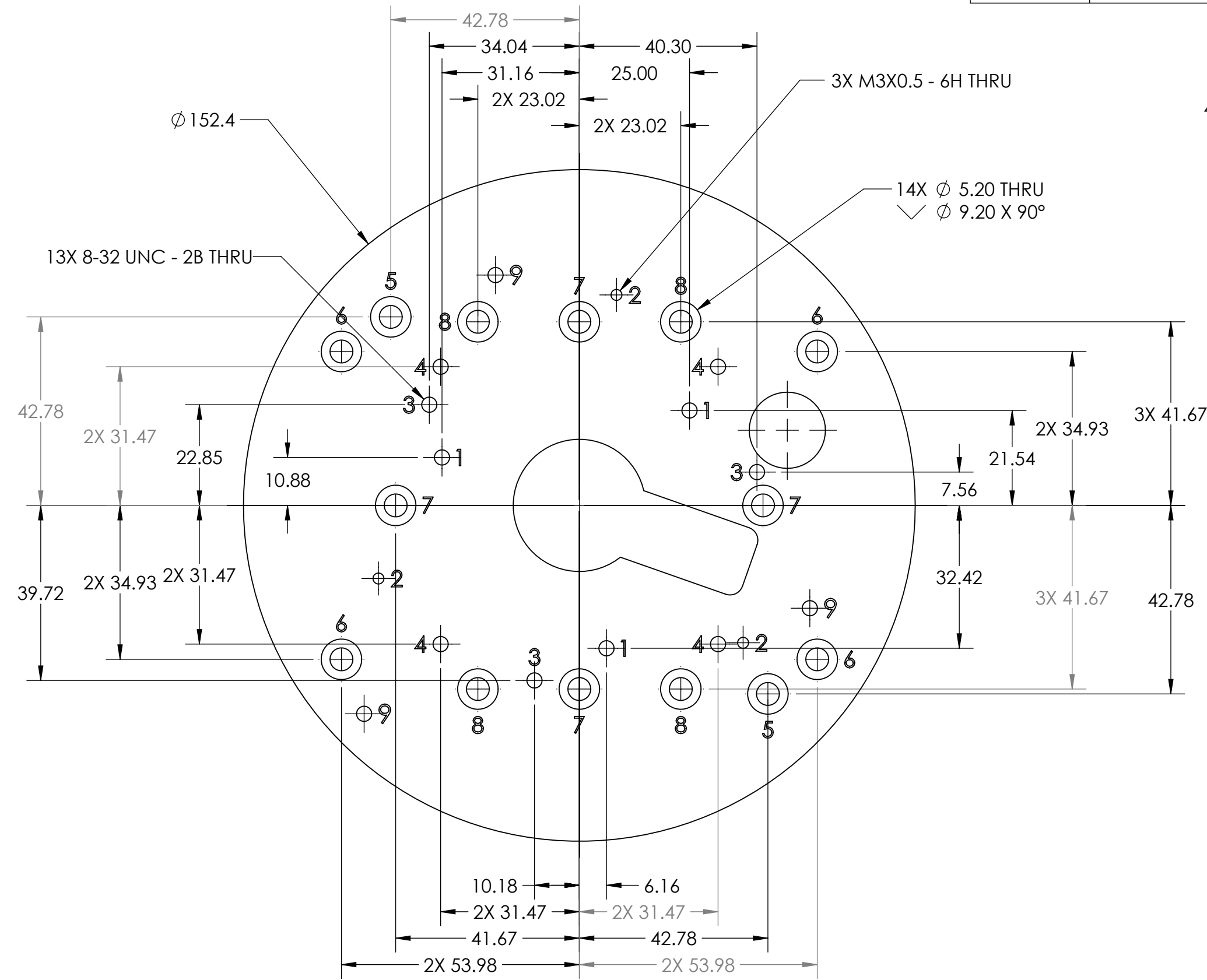


REV.	DATE	DCO	SIGNATURE
A	8/15/16	DCO 000594	AT

HOLE NO.	MODEL COMPATIBILITY
1	MEGABALL WALL MOUNT (8-32)
2	MEGABALL DOME MOUNT (M3 X 0.5)
3	MICRODOME, MEGABALL BELL MOUNT (8-32)
4	MEGADOME, MB2-JBA (8-32)
5	4S BOX
6	4-11/16" SQUARE BOX
7	SINGLE GANG BOX
8	DOUBLE GANG BOX
9	OMNI (8-32)



NOTES: (UNLESS OTHERWISE SPECIFIED)

- BREAK ALL SHARP EDGES.
- RELATIONSHIPS ON DRAWING SHALL BE HELD AS SHOWN.
- PART SHALL BE PACKAGED WITH THE FOLLOWING HARDWARE:
 SCREW, #8-32, PPH, SS, 1/2" LG. (QTY 4)
 SCREW, #8-32, PPH, SS, 1" LG. (QTY 3)
 SCREW, M3 X 0.5, PPH, SS BLACK, 5MM LG. (QTY 3)

PROPRIETARY AND CONFIDENTIAL
 THE INFORMATION CONTAINED IN THIS DRAWING IS THE SOLE PROPERTY OF ARECONT VISION. ANY REPRODUCTION IN PART OR AS A WHOLE WITHOUT THE WRITTEN PERMISSION OF ARECONT VISION IS PROHIBITED.

UNLESS OTHERWISE SPECIFIED:		NAME	DATE
DIMENSIONS ARE IN MM		DRAWN	AT 8/15/16
TOLERANCES:		CHECKED	VT
ANGULAR ± 0.5°		ENG APPR.	BD
ONE PLACE DECIMAL ± 0.3		MFG APPR.	SR
TWO PLACE DECIMAL ± 0.13		Q.A.	DT
INTERPRET GEOMETRIC TOLERANCING PER: ASME Y14.5, 2009		COMMENTS:	
MATERIAL	ALUMINUM		
FINISH	COOL GREY 1C		
NEXT ASSY	USED ON		
APPLICATION		DO NOT SCALE DRAWING	

Arecont Vision

TITLE: ROUND ELECTRICAL BOX ADAPTER PLATE. COMPATIBLE WITH MEGABALL DOME CAMERAS, MICRODOME-3 CAMERAS, MEGADOME SERIES, AND SURROUNDVIDEO OMNI AND 12 MP

SIZE	DWG. NO.	REV
C	AV-EBAR	A

SCALE: 1:1 WEIGHT: SHEET 1 OF 1